

# Home Theatre System

Operating Instructions\_\_\_\_\_ **US**

Mode d'emploi\_\_\_\_\_ **FR**

Manual de instrucciones\_\_\_\_\_ **ES**

## HT-CT350



## WARNING

### To reduce the risk of fire or electric shock, do not expose this apparatus to rain or moisture.

The unit is not disconnected from the AC power source (mains) as long as it is connected to the wall outlet, even if the unit itself has been turned off.

To reduce the risk of fire, do not cover the ventilation opening of the apparatus with newspapers, tablecloths, curtains, etc.

Do not place the naked flame sources such as lighted candles on the apparatus.

To reduce the risk of fire or electric shock, do not expose this apparatus to dripping or splashing, and do not place objects filled with liquids, such as vases, on the apparatus.

As the main plug is used to disconnect the unit from the mains, connect the unit to an easily accessible AC outlet. Should you notice an abnormality in the unit, disconnect the main plug from the AC outlet immediately.

Do not install the appliance in a confined space, such as a bookcase or built-in cabinet.

Do not expose batteries or apparatus with battery-installed to excessive heat such as sunshine, fire or the like.

### For the customers in the U.S.A



This symbol is intended to alert the user to the presence of uninsulated “dangerous voltage” within the product’s enclosure that may be of sufficient magnitude to constitute a risk of electric shock to persons.



This symbol is intended to alert the user to the presence of important operating and maintenance (servicing) instructions in the literature accompanying the appliance.

## Owner’s Record

The model and serial numbers are located at the rear of the subwoofer. Record the serial numbers in the spaces provided below. Refer to them whenever you call upon your Sony dealer regarding this product.

Model No. HT-CT350

Serial No. \_\_\_\_\_

## Important Safety Instructions

- 1) Read these instructions.
- 2) Keep these instructions.
- 3) Heed all warnings.
- 4) Follow all instructions.
- 5) Do not use this apparatus near water.
- 6) Clean only with dry cloth.
- 7) Do not block any ventilation openings. Install in accordance with the manufacturer’s instructions.
- 8) Do not install near any heat sources such as radiators, heat registers, stoves, or other apparatus (including amplifiers) that produce heat.
- 9) Do not defeat the safety purpose of the polarized or grounding-type plug. A polarized plug has two blades with one wider than the other. A grounding type plug has two blades and a third grounding prong. The wide blade or the third prong are provided for your safety. If the provided plug does not fit into your outlet, consult an electrician for replacement of the obsolete outlet.
- 10) Protect the power cord from being walked on or pinched particularly at plugs, convenience receptacles, and the point where they exit from the apparatus.
- 11) Only use attachments/accessories specified by the manufacturer.
- 12) Use only with the cart, stand, tripod, bracket, or table specified by the manufacturer, or sold with the apparatus. When a cart is used, use caution when moving the cart/apparatus combination to avoid injury from tip-over.
- 13) Unplug this apparatus during lightning storms or when unused for long periods of time.



- 14) Refer all servicing to qualified service personnel. Servicing is required when the apparatus has been damaged in any way, such as power-supply cord or plug is damaged, liquid has been spilled or objects have fallen into the apparatus, the apparatus has been exposed to rain or moisture, does not operate normally, or has been dropped.

The following FCC statement applies only to the version of this model manufactured for sale in the U.S.A. Other versions may not comply with FCC technical regulations.

**NOTE:**

This equipment has been tested and found to comply with the limits for a Class B digital device, pursuant to Part 15 of the FCC Rules. These limits are designed to provide reasonable protection against harmful interference in a residential installation. This equipment generates, uses, and can radiate radio frequency energy and, if not installed and used in accordance with the instructions, may cause harmful interference to radio communications. However, there is no guarantee that interference will not occur in a particular installation. If this equipment does cause harmful interference to radio or television reception, which can be determined by turning the equipment off and on, the user is encouraged to try to correct the interference by one or more of the following measures:

- Reorient or relocate the receiving antenna.
- Increase the separation between the equipment and receiver.
- Connect the equipment into an outlet on a circuit different from that to which the receiver is connected.
- Consult the dealer or an experienced radio/TV technician for help.

**CAUTION**

You are cautioned that any changes or modifications not expressly approved in this manual could void your authority to operate this equipment.

## Precautions

### On safety

- Should any solid object or liquid fall into the system, unplug the system and have it checked by qualified personnel before operating it any further.
- Do not climb on the subwoofer, as you may fall down and injure yourself, or system damage may result.

### On power sources

- Before operating the system, check that the operating voltage is identical to your local power supply. The operating voltage is indicated on the nameplate at the rear of the subwoofer.
- If you are not going to use the system for a long time, be sure to disconnect the system from the wall outlet (mains). To disconnect the AC power cord (mains lead), grasp the plug itself; never pull the cord.
- One blade of the plug is wider than the other for the purpose of safety and will fit into the wall outlet (mains) only one way. If you are unable to insert the plug fully into the outlet, contact your dealer.
- AC power cord (mains lead) must be changed only at the qualified service shop.

### On heat buildup

Although the system heats up during operation, this is not a malfunction. If you continuously use this system at a large volume, the system temperature of the back and bottom rises considerably. To avoid burning yourself, do not touch the system.

### On placement

- Place the system in a location with adequate ventilation to prevent heat buildup and prolong the life of the system.
- Do not place the system near heat sources, or in a place subject to direct sunlight, excessive dust, or mechanical shock.
- Do not place anything at the rear of the subwoofer that might block the ventilation holes and cause malfunctions.
- Do not place the system near equipment such as a TV, VCR, or tape deck. (If the system is being used in combination with a TV, VCR, or tape deck, and is placed too close to that equipment, noise may result, and picture quality may suffer. This is especially likely when using an indoor antenna. Therefore, we recommend using an outdoor antenna.)
- Use caution when placing the system on surfaces that have been specially treated (with wax, oil, polish, etc.) as staining or discoloration of the surface may result.

US

*continued*

## On operation

Before connecting other components, be sure to turn off and unplug the system.

### If you encounter color irregularity on a nearby TV screen

The system is magnetically shielded to allow it to be installed near a TV set. However, color irregularities may still be observed on certain types of TV sets.

### If color irregularity is observed...

Turn off the TV set, then turn it on again after 15 to 30 minutes.

### If color irregularity is observed again...

Place the system further away from the TV set.

## On cleaning

Clean the system with a soft dry cloth. Do not use any type of abrasive pad, scouring powder or solvent such as alcohol or benzine.

If you have any question or problem concerning your system, please consult your nearest Sony dealer.

---

## Copyrights

This system incorporates Dolby\* Digital and Pro Logic Surround and the DTS\*\* Digital Surround System.

\* Manufactured under license from Dolby Laboratories. Dolby, Pro Logic, and the double-D symbol are trademarks of Dolby Laboratories.

\*\* Manufactured under license under U.S. Patent #'s: 5,451,942; 5,956,674; 5,974,380; 5,978,762; 6,487,535 & other U.S. and worldwide patents issued & pending. DTS and the Symbol are registered trademarks & DTS Digital Surround and the DTS logos are trademarks of DTS, Inc. Product includes software. © DTS, Inc. All Rights Reserved.

This system incorporates High-Definition Multimedia Interface (HDMI™) technology.

HDMI, the HDMI Logo, and High-Definition Multimedia Interface are trademarks or registered trademarks of HDMI Licensing LLC in the United States and other countries.

“BRAVIA Sync” is a trademark of Sony Corporation.

“PlayStation” is a registered trademark of Sony Computer Entertainment Inc.

“x.v.Color” and “x.v.Color” logo are trademarks of Sony Corporation.



ENERGY STAR® is a U.S. registered mark.

As an ENERGY STAR® partner, Sony Corporation has determined that this product meets the ENERGY STAR® guidelines for energy efficiency.



# Table of contents

Precautions .....	3	Setting the Audio Return Channel function to off.....	42
<b>Getting Started</b>		<b>Advanced Settings</b>	
Unpacking .....	6	Controlling connected Sony components with the remote .....	43
Positioning the system .....	8	Changing the input button assignments of the remote.....	46
Warning about installing the system's speaker to the TV stand or a wall ....	10	Settings and adjustments using the amplifier menu .....	48
Connecting the speaker .....	22	<b>Additional Information</b>	
Connecting the TV and player, etc. ....	23	Troubleshooting .....	52
Connecting other components.....	25	Specifications .....	54
Connecting the antenna (aerial) .....	26	Index.....	57
Connecting the AC power cord (mains lead) .....	27		
Setting up the sound output of the connected component .....	27		
<b>Playback Options</b>			
Index to parts and controls .....	28		
Enjoying TV.....	30		
Enjoying other components .....	31		
<b>Tuner Functions</b>			
Direct tuning .....	33		
Presetting radio stations .....	34		
Listening to the radio .....	34		
Naming preset stations .....	35		
Viewing the station name or frequency in the front panel display .....	36		
<b>Surround Function</b>			
Enjoying the surround effect.....	37		
<b>“BRAVIA” Sync Features</b>			
What is “BRAVIA” Sync?.....	38		
Preparing for “BRAVIA” Sync .....	38		
Enjoying Blu-ray Disc/DVD.....	39		
(One-Touch Play)			
Enjoying the TV sound from the system .....	40		
(System Audio Control)			
Turning off the system, TV and the connected components.....	41		
(System Power Off)			
Using the power saving function .....	41		
(HDMI PASS THRU)			

## Getting Started

# Unpacking

- Subwoofer (SA-WCT350) (1)



- Speaker (SS-CT350) (1)



- AM loop antenna (aerial) (1)



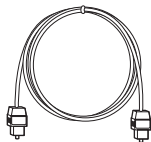
- FM wire antenna (aerial) (1)



- Speaker cord (1)



- Digital optical cord for a TV (2.5 m) (1)



- Remote commander (RM-AAU071) (1)



- R6 (size AA) batteries (2)



- WS-CT350EB

- Extension bracket (1)



- Rear cover A (1)



- Rear cover B (1)



- Rear cover C (1)



- Cover for the TV (1)



- Screws for the extension bracket (large, +PSW5 × 16 mm) (6)



- Screws for the rear cover (small, M3 × 8 mm) (1)



- Support belt (1)



- Screw for the support belt (+PSW4 × 20 mm) (1)



- Wood screw for the support belt (M3.8 × 20 mm) (1)




- Clamp screw (2)

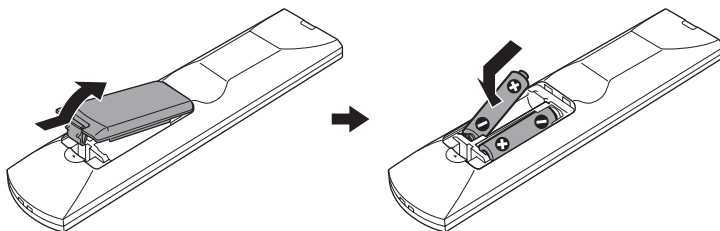


- Warranty (1)

- Operating Instructions (1)

## Inserting batteries into the remote

Insert two R6 (size AA) batteries (supplied) by matching the  $\oplus$  and  $\ominus$  ends on the batteries to the markings inside the compartment. To use the remote, point it at the remote sensor  in the front panel display of the subwoofer.



### Notes

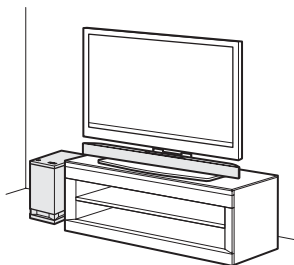
- Do not leave the remote in an extremely hot or humid place.
- Do not use a new battery with an old one.
- Do not drop any foreign object into the remote casing, particularly when replacing the batteries.
- Do not expose the remote sensor to direct sunlight or lighting apparatus. Doing so may cause a malfunction.
- If you do not intend to use the remote for an extended period of time, remove the batteries to avoid possible damage from battery leakage and corrosion.

## Positioning the system

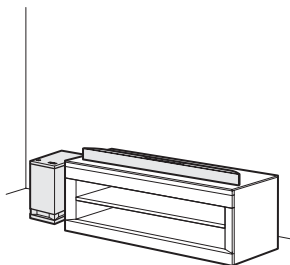
The illustrations below are examples of how to install the subwoofer and speaker.

You can install the speaker with the following TV models (not supplied):

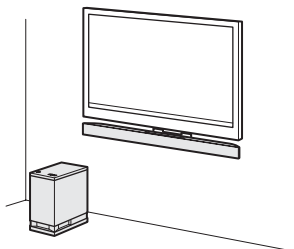
- KDL-40/46LX900, KDL-40NX800, KDL-40/46HX800, KDL-40/46EX700, KDL-46EX701, KDL-40/46NX700, KDL-40/46EX600



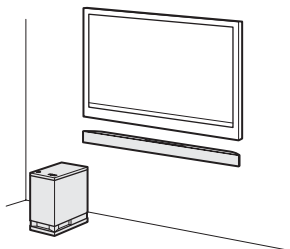
For details, see "Installing the speaker on the TV stand" (page 13).



Install the speaker on a rack.



For details, see "Hanging the speaker and TV on a wall" (page 17).



For details, see "Installing the speaker on a wall" (page 21).

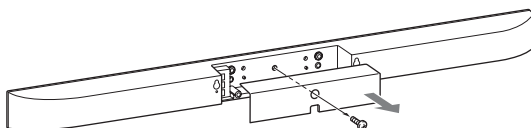
### Note

- Do not block the heat ventilation on the rear panel of the subwoofer.

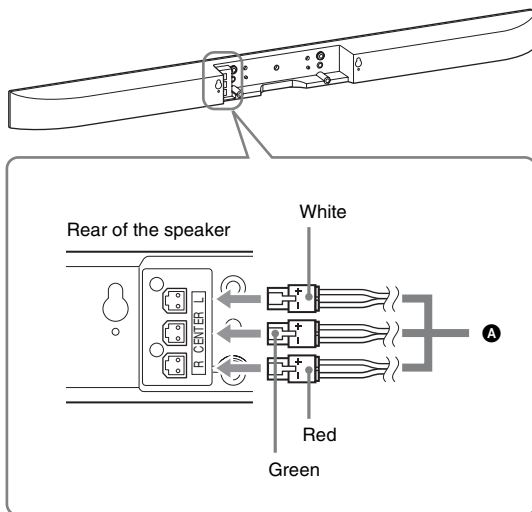
## Connecting the speaker cord to the speaker

The connectors of the speaker cord are color-coded depending on the type of speaker. Connect the connectors of the speaker cord to match the color of the speaker jacks.

- 1 Remove the screw of the cover at the rear of the speaker, and then remove the cover.

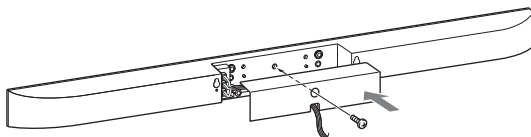


- 2 Connect the speaker cord.



- 3 Guide the speaker cord through the square notch at the bottom of the cover, and then reattach the cover to the speaker and secure it with the screw removed in step 1.

If you install the speaker to the TV, do not reattach the cover. Perform the steps in “Installing the speaker on the TV stand” (page 13), or “Hanging the speaker and TV on a wall” (page 17).



### Notes

- When you install the speaker or a TV on a wall, be careful not to stumble over the cord connected to the speaker.
- Be careful not to pinch the speaker cord when you reattach the cover.

# Warning about installing the system's speaker to the TV stand or a wall

## To Customers

Sufficient expertise is required for installing this product. Be sure to subcontract the installation to Sony dealers or licensed contractors and pay special attention to safety during the installation. Sony is not liable for any damages or injury caused by mishandling or improper installation, or installing anything other than the specified product. Your statutory rights (if any) are not affected.

## On Safety

Products by Sony are designed with safety in mind. If the products are used incorrectly, however, it may result in a serious injury through fire, electric shock, the product toppling over, or the product dropping. Be sure to observe the precautions for safety to prevent such accidents.

## WARNING

If the following precautions are not observed, serious injury or death through fire or electric shock, the product toppling over or falling can result.

**Do not drop the products or install them where there is a possibility of them falling down.**

- Be sure to subcontract installing, moving or dismantling the products to licensed contractors and keep small children away during the procedure.
- Unauthorized installation may result in serious injury or property damage.
- Having an unauthorized dealer carry or dismount the SS-CT350 speaker or SS-CT350 speaker-installed TV may lead to the products' falling and result in serious injury or property damage. Make sure that two or more persons carry or dismount the product(s).
- Do not remove screws, etc., after mounting the SS-CT350 speaker or SS-CT350 speaker-installed TV.

- Do not handle the products with excessive force during cleaning or maintenance.
- If you hang the SS-CT350 speaker or SS-CT350 speaker-installed TV on a fragile wall or a wall whose surface is not flat or perpendicular, the product(s) may fall and cause injury or property damage.
- If the SS-CT350 speaker or SS-CT350 speaker-installed TV is not installed firmly on the wall, the product(s) may fall and cause injury or property damage.



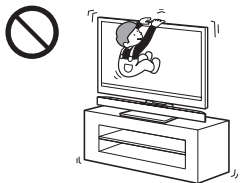
**Do not place any object on the products.**

- Do not put anything on the products. If you do so, the system may fall and cause injury or property damage.



**Do not lean or hang on the products.**

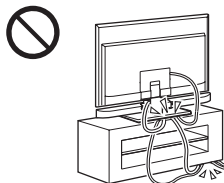
- Do not lean or hang on the products, as they may fall on you and cause serious injury.

**Pay attention to the location.**

- Do not install the products on wall surfaces such as a pillar, where the corners or the sides of the products protrude away from the wall surface. If a person or object happens to hit the protruded corner or side of the products, it may cause injury or property damage.
- Do not expose the products to rain or moisture, or spill liquid of any kind on them. It may cause a fire or electric shock.
- Never place the products in hot, humid or excessively dusty places, or in a place where they are subject to mechanical vibrations. Doing so may cause a fire or electric shock.
- Keep flammable objects or open flames (e.g., candles) away from the products.
- Do not install the products over or under an air conditioner. If the products are exposed to wind from the air conditioner for an extended period of time, or get wet by water leakage from the air conditioner, this may cause a fire, an electric shock, or malfunctions.

**Do not allow the cords to be pinched.**

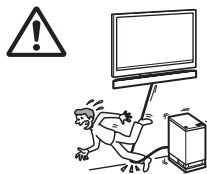
- If the AC power cord (mains lead) or connecting cords are pinched between the products and the wall, floor, or other object, or bent or twisted by force, the internal conductors may become exposed and cause a short circuit or an electrical break. This may cause a fire or an electric shock.
- Do not step on the AC power cord (mains lead) or connecting cords when you carry the products. The cord may be damaged, and this may result in a fire or electric shock.

**Do not cover the ventilation holes of the products.**

- If you cover the ventilation holes (with a cloth, etc.), heat may build up inside and cause a fire.

**Do not stumble over the cords.**

- You may trip, or may cause the products to topple over and cause injury.



continued

---

## CAUTION

If the following precautions are not observed, injury or property damage may occur.

### **Do not install any equipment other than the specified product.**

- The WS-CT350EB accessories (supplied) are designed for use with the specified equipment only. If you install equipment other than that specified, it may fall or break, and cause injury.
- Do not modify the products.
- Do not place anything hot directly on the products. The heat may cause discoloration or deformation of the products.

### **Be sure to secure the system's speaker and TV.**

- Secure the SS-CT350 speaker and TV firmly when installing them together. Then, secure the SS-CT350 speaker-installed TV firmly on the stand or wall. If the SS-CT350 speaker and TV are not installed securely, they may fall or topple over, and cause injury.

### **Do not apply weight to the products or subject them to any kind of impact.**

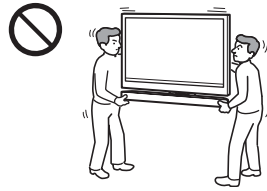
- When installing the SS-CT350 speaker to a TV stand or hanging the SS-CT350 speaker - installed TV on a wall, do not apply weight to the speaker or TV with your hand. Do not hit the speaker or TV with hard objects, such as a screwdriver, etc.

### **When moving the SS-CT350 speaker-installed TV**

If you move the products forcefully, damage or injury may result. Be sure to follow the proper procedures and advice given below.

- Be sure that two or more persons carry the SS-CT350 speaker-installed TV, and only after unplugging and removing the connected equipment.
- Be careful not to allow your hands or feet to be pinched under the bottom of the SS-CT350 speaker-installed TV.
- When carrying the SS-CT350 speaker-installed TV, do not hold it by the SS-CT350 speaker part. Doing so may cause damage or injury.

- Do not drag the SS-CT350 speaker-installed TV. The base part may come off and damage the floor.



### **Notes on installation**

- When assembling, spread a cloth on the floor to avoid damaging the floor.
- Install the products on a solid and flat floor.
- Be sure that two or more persons install the products. Doing it alone may result in an accident or injury.
- Be sure to keep children away during the process.

### **Be sure to install the products securely following the instructions.**

- Tighten the screws securely. If the SS-CT350 speaker is not installed securely, it may fall and cause damage or injury.
- Be careful not to pinch your fingers or hands when assembling the products.

### **Notes on installation on a wall**

- If you use the products installed on a wall for a long time, the wall behind or above the products may become discolored or the wallpaper may come unstuck, depending on the material of the wall.
- If the products are removed after installed on the wall, the screw holes will remain.
- Consult your licensed contractor regarding an appropriate location (free from radio noise, etc.) before installing.



## Installing the speaker on the TV stand

You can install the speaker with the following TV models (not supplied):

- KDL-40/46LX900, KDL-40NX800, KDL-40/46HX800, KDL-40/46EX700, KDL-46EX701, KDL-40/46NX700, KDL-40/46EX600

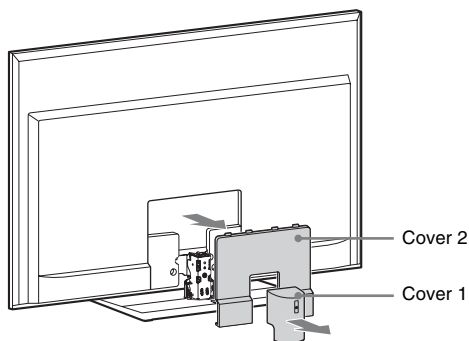
Although the shape of the TV stand base differs depending on the TV model, you can install the speaker on the TV stand following this procedure.

### 1 Remove covers 1 and 2 from the rear of the TV.

For details on removing the covers, refer to the operating instructions of the TV.

#### Note

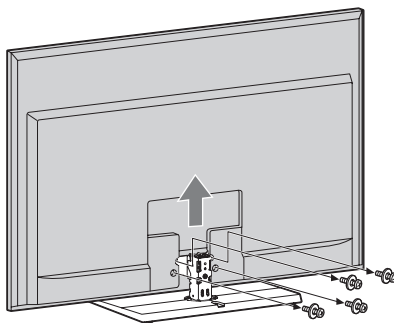
- Some Sony TVs do not have cover 2.



### 2 Remove the screws of the TV, and then detach the TV from the TV stand.

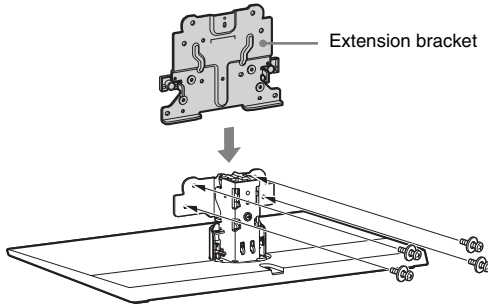
#### Note

- Make sure to place the TV on a soft thick cloth with the screen side down to prevent damaging the surface of the LCD.

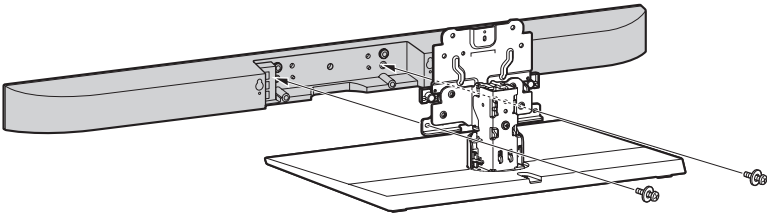


continued

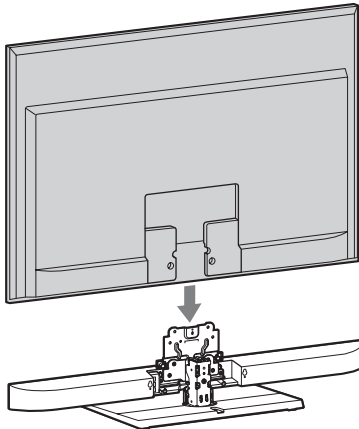
- 3** Secure the extension bracket (supplied) to the TV stand with the large screws (+PSW5 x 16 mm) (supplied).



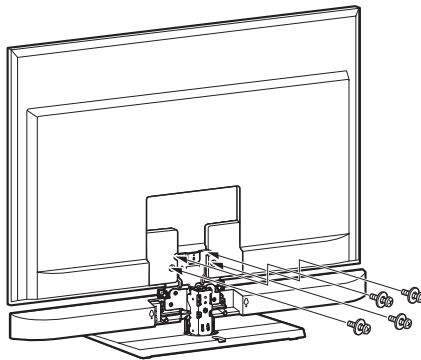
- 4** Secure the speaker to the extension bracket with the large screws (+PSW5 x 16 mm) (supplied).



- 5** Reattach the TV.



## 6 Secure the TV with the screws removed in step 2.

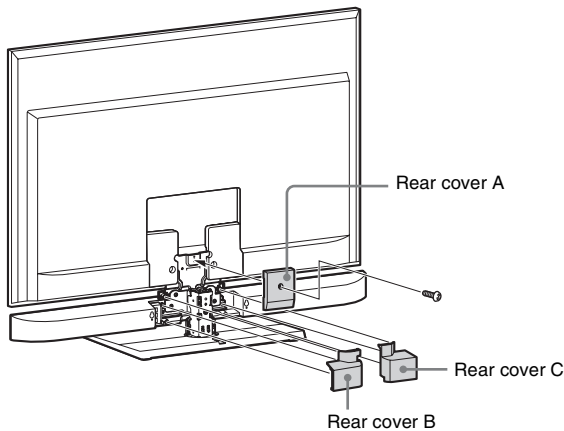


## 7 Attach the rear covers A, B, and C (supplied).

Secure the rear cover A to the extension bracket with the small screw (M3 × 8 mm) (supplied). Guide the speaker cord through the rectangular notch of the rear cover B, and insert the three projecting parts of the rear cover B into the holes on the extension bracket and the speaker. Insert the three projecting parts of the rear cover C into the holes on the extension bracket and the speaker.

### Note

- When carrying the SS-CT350 speaker-installed TV, do not hold it by the SS-CT350 speaker part. Doing so may cause damage or injury.

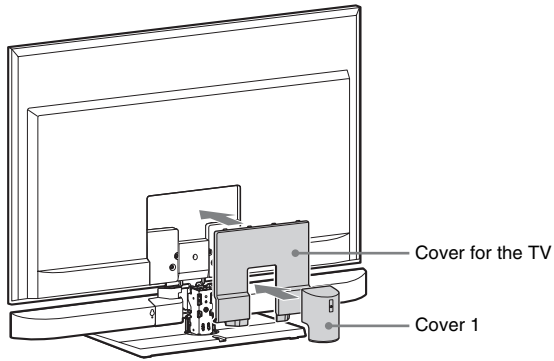


*continued*

## 8 Attach the cover for the TV (supplied) and cover 1 removed in step 1.

Insert the two projecting parts of the cover for the TV into the holes on the TV.

For details on attaching cover 1, refer to the operating instructions of the TV.



### Note

- As a protective measure, secure the TV. For details, see “Preventing the TV from toppling over” (page 19).

## Hanging the speaker and TV on a wall

You can hang the speaker with the following TV models (not supplied):

- KDL-40/46LX900, KDL-40NX800, KDL-40/46HX800, KDL-40/46EX700, KDL-46EX701, KDL-40/46NX700, KDL-40/46EX600

### Note

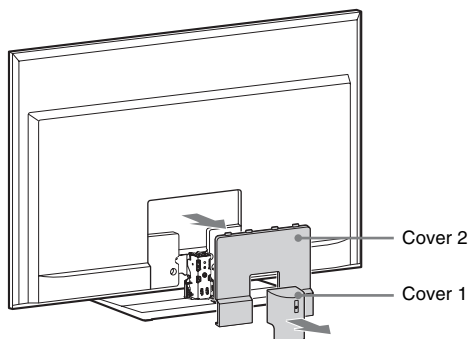
- To hang the TV on the wall, refer to the operating instructions of the TV.

## 1 Remove covers 1 and 2 from the rear of the TV.

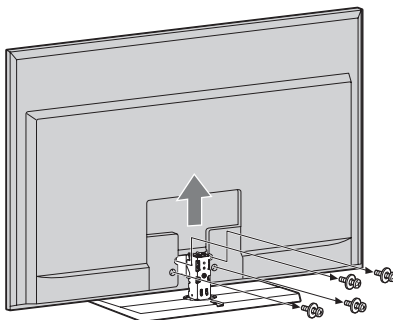
For details on removing the covers, refer to the operating instructions of the TV.

### Note

- Some Sony TVs do not have cover 2.

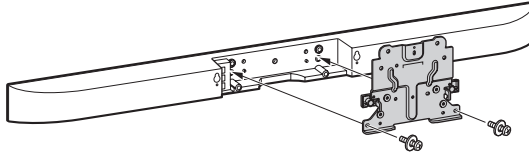


## 2 Remove the screws of the TV, and then detach the TV from the TV stand.



continued

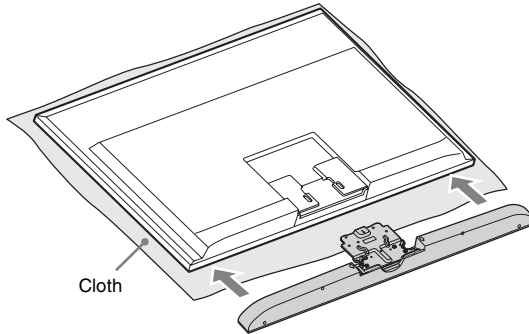
- 3** Secure the speaker to the extension bracket with the large screws (+PSW5 × 16 mm) (supplied).



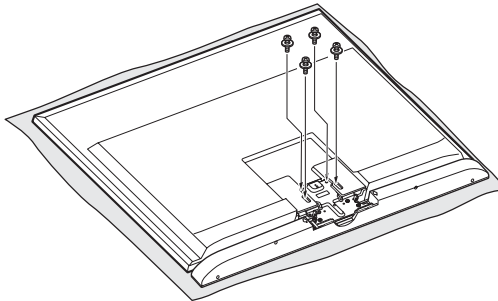
- 4** Reattach the TV.

**Note**

- Make sure to place the TV on a soft thick cloth with the screen side down to prevent damaging the surface of the LCD.



- 5** Secure the TV with the screws removed in step 2.



- 6** Hang the TV on the wall.

For details on hanging the TV on the wall, refer to the operating instructions of the TV.

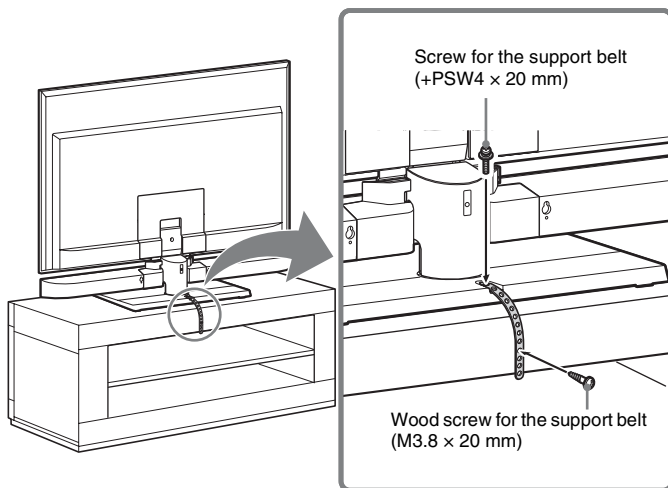
**Note**

- When hanging the SS-CT350 speaker-installed TV on the wall or taking it off the wall, do not hold it by the SS-CT350 speaker part. Doing so may cause damage or injury.

## Preventing the TV from toppling over

As a protective measure, secure the TV. If you fail to do so, the TV may topple over resulting in serious injury.

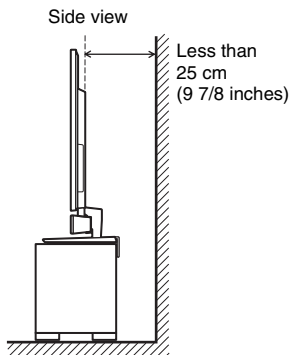
### When installing the TV on a rack



- 1** Place the TV on the center of the rack.
- 2** Fit the support belt (supplied) to the TV, then firmly fasten with the screw for the support belt (+PSW4 × 20 mm) (supplied) using a screw driver.
- 3** Fasten the support belt to the rack with the wood screw for the support belt (M3.8 × 20 mm) (supplied).

#### Notes

- Be careful not to pinch your fingers when setting up the TV and rack.
- Install the rack after allowing for a space of less than 25 cm (9 7/8 inches) from the wall. The wall will prevent the TV from falling from the rack even if the TV leans backward towards the wall.

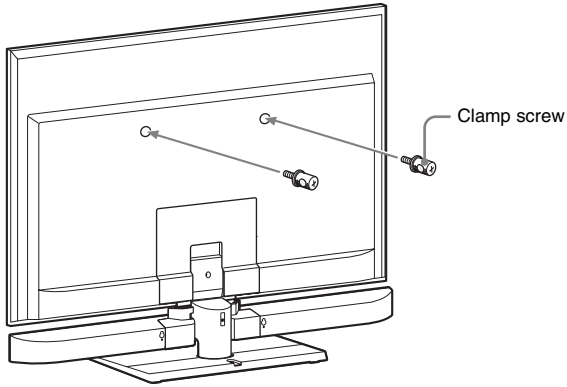


continued

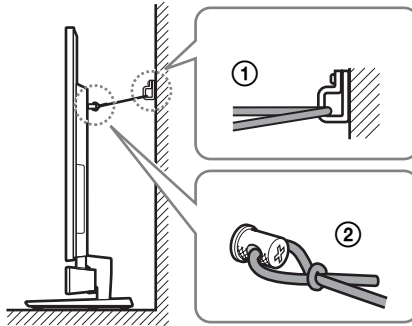
## When installing the TV on the floor near a wall

Prepare strong string or chain (not supplied) and a fastener (not supplied) for fastening to the wall. Secure the fastener to a reinforced wall.

### 1 Fasten the clamp screws (supplied) to the rear of the TV.



### 2 Secure the fastener to the wall (①), and then thread the string or chain through the holes of the clamp screws and the fastener (②). Firmly tie both ends of the string or chain together.





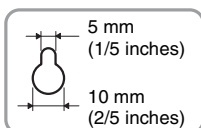
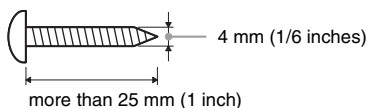
## Installing the speaker on a wall

You can install the speaker on the wall.

### Notes

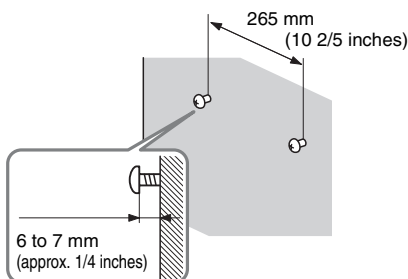
- Use screws that are suitable for the wall material and strength. As a plaster board wall is especially fragile, attach the screws securely to a wall beam. Install the speaker on a vertical and flat reinforced area of the wall.
- Be sure to subcontract the installation to Sony dealers or licensed contractors and pay special attention to safety during the installation.
- Sony is not responsible for accidents or damage caused by improper installation, insufficient wall strength, improper screw installation or natural calamity, etc.

- 1 Prepare screws (not supplied) that are suitable for the holes on the back of the speaker. See the illustrations below.**



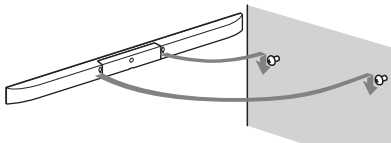
Hole on the back of the speaker

- 2 Fasten the screws to the wall. The screws should protrude 6 to 7 mm (approx. 1/4 inches).**



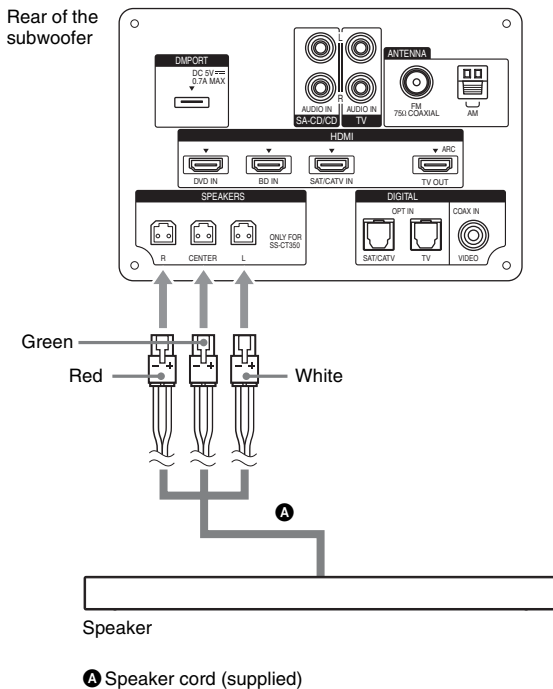
- 3 Hang the speaker onto the screws.**

Align the holes on the back of the speaker to the screws, then hang the speaker onto the two screws.



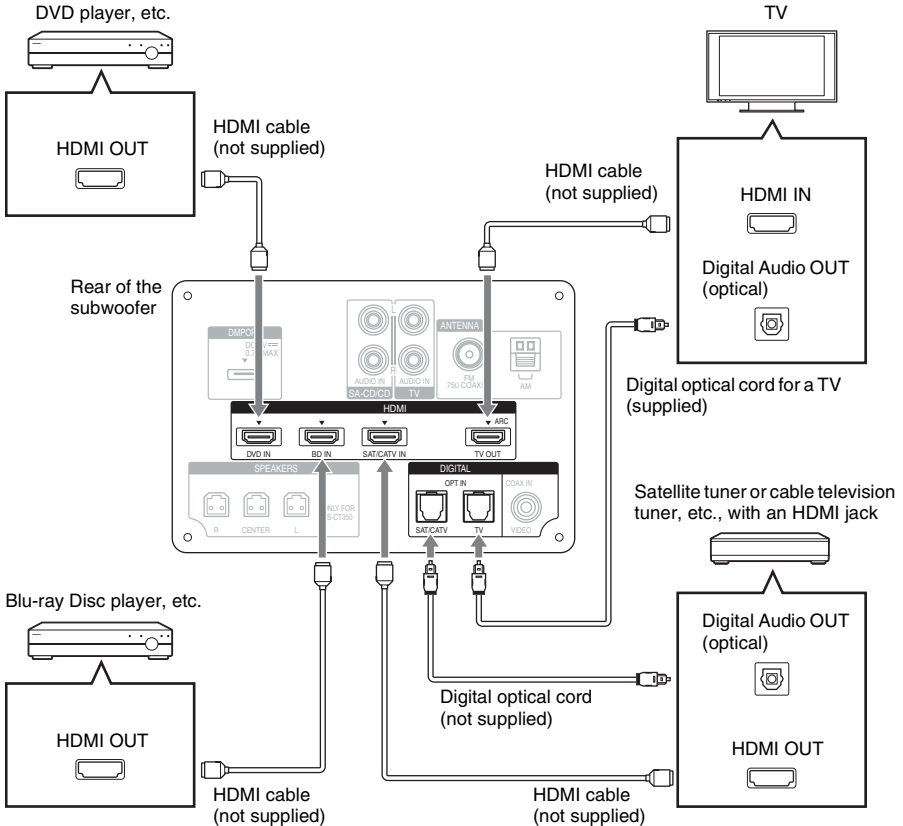
# Connecting the speaker

The connectors of the speaker cord are color-coded depending on the type of speaker. Connect the connectors of the speaker cord to match the color of the SPEAKERS jacks.



## Connecting the TV and player, etc.

Connect the TV and/or player, etc., with HDMI jacks to the system using an HDMI cable. By connecting Sony “BRAVIA” Sync-compatible components using HDMI cables and by setting the Control for HDMI function via the TV for each connected component, operation can be simplified. See ““BRAVIA” Sync Features” (page 38).



*continued*

**Notes**

- The system is compatible with the Audio Return Channel (ARC) function. If you connect the system to the ARC-compatible TV's HDMI jack via an HDMI cable, you do not need to connect the TV to the system with the digital optical cord (page 42).
- You can see the letters "ARC" beside the TV's HDMI jack if it is compatible with the ARC function. Even if you connect an HDMI cable to the jack, if the HDMI input jack is not compatible with the ARC function, you cannot use the ARC function.
- The ARC function is available only when Control for HDMI is set to on.
- Depending on the satellite tuner, multi-channel sound may not be output. In this case, connect a digital optical cord in addition to an HDMI cable and set "INPUT MODE" to "OPT" in the AMP menu (page 50).
- Connect a "PlayStation 3," etc., to any available HDMI jack. All the HDMI jacks on the system function in the same way.
- The HDMI jack connections have priority when you connect different components to the system using the INPUT OPT/INPUT COAX and HDMI jacks.
- When connecting a TV that does not have a digital optical audio output jack, connect the TV to the system using an analog audio cord (not supplied).

**Tip**

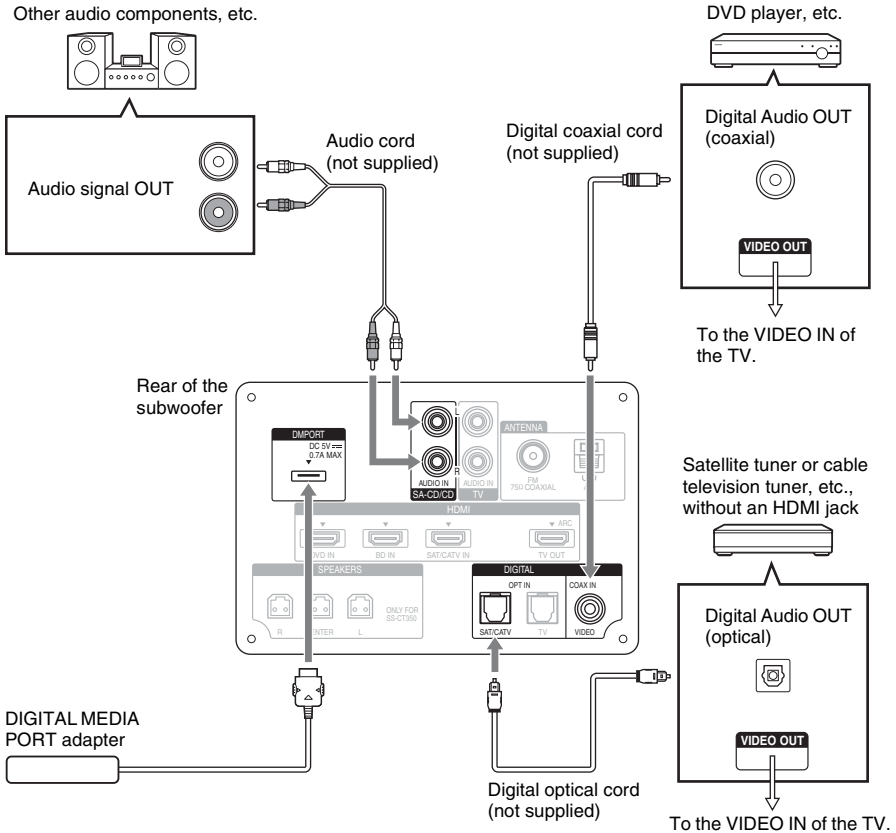
- Even if the system is turned off (active standby mode), the HDMI signal will be sent from the connected component to the TV via the HDMI connection. You can enjoy image and sound from the component on the TV.

**Notes on HDMI connections**

- Use a High Speed HDMI cable. If you use a Standard HDMI cable, 1080p, Deep Color, or 3D images may not be displayed properly.
- Sony recommends that you use an HDMI-authorized cable or Sony HDMI cable.
- Check the setup of the connected component if an image is poor or the sound does not come out of a component connected via the HDMI cable.
- Audio signals (sampling frequency, bit length, etc.) transmitted from an HDMI jack may be suppressed by the connected component.
- Sound may be interrupted when the sampling frequency or the number of channels of audio output signals from the playback component is switched.
- When the connected component is not compatible with copyright protection technology (HDCP), the image and/or the sound from the HDMI TV OUT jack may be distorted or may not be output. In this case, check the specification of the connected component.
- We do not recommend using an HDMI-DVI conversion cable.
- When "TV," "DMPORT," "SA-CD/CD," "VIDEO," "TUNER FM," or "TUNER AM" is selected for the input source of the system, video signals via the HDMI input jack (BD, DVD, SAT/CATV) that was selected last time are output from the HDMI TV OUT jack.
- This system supports Deep Color, "x.v.Color," and 3D transmission.
- To enjoy 3D images, connect 3D-compatible TV and video components (Blu-ray Disc player, Blu-ray Disc recorder, "PlayStation 3," etc.) to the system using High Speed HDMI cables, put on 3D glasses, and then play back 3D-compatible content.

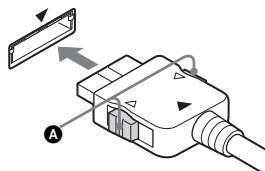
## Connecting other components

When connecting components that do not have HDMI jacks, such as a “PlayStation 2,” a DVD player, a satellite tuner, or a cable television tuner, etc., set “CTRL HDMI” to “OFF” in the AMP menu of the system (page 39).



### Notes

- Do not connect or disconnect the DIGITAL MEDIA PORT adapter while the system is turned on.
- When you connect the DIGITAL MEDIA PORT adapter, be sure the connector is inserted with the arrow mark facing toward the arrow mark on the DMPORT jack. To detach the DIGITAL MEDIA PORT adapter, press and hold **A** and then pull out the connector.

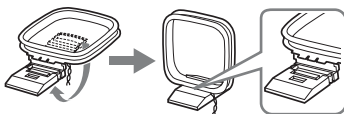


# Connecting the antenna (aerial)

## Connecting the AM loop antenna (aerial)

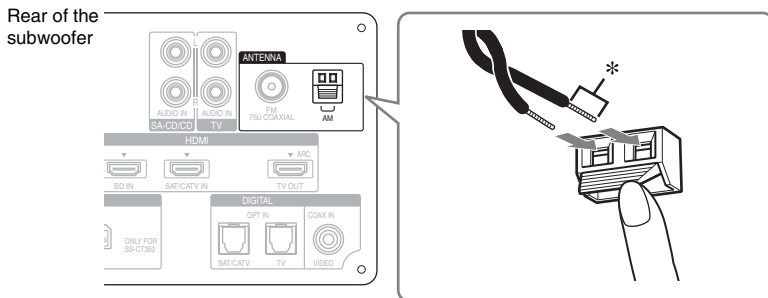
The shape and the length of the antenna (aerial) is designed to receive AM signals. Do not dismantle or roll up the antenna (aerial).

- 1** Remove only the loop part from the plastic stand.
- 2** Set up the AM loop antenna (aerial).



- 3** Connect the cords to the AM antenna (aerial) terminals.

While pushing down the terminal clamp, insert the (\*) part of the cords.  
The cords can be connected to either terminal.



### Note

- Do not place the AM loop antenna (aerial) near the system or other AV component, as noise may result.

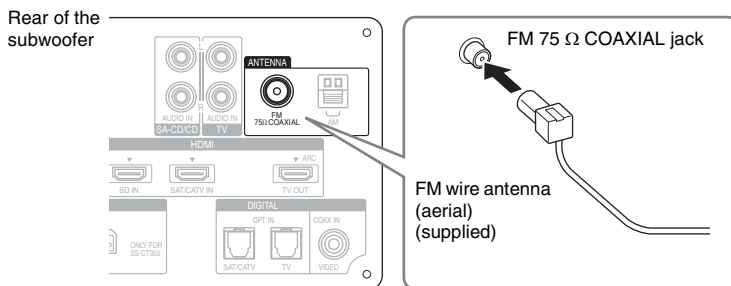
### Tip

- Adjust the direction of the AM loop antenna (aerial) for best AM broadcast sound.

- 4** Make sure the AM loop antenna (aerial) is connected firmly by pulling softly on the cord.

## Connecting the FM wire antenna (aerial)

Connect the FM wire antenna (aerial) to the FM 75 Ω COAXIAL jack.

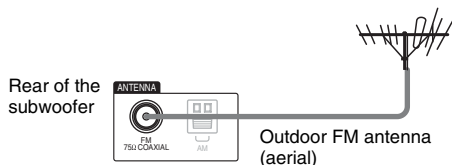


### Notes

- Be sure to fully extend the FM wire antenna (aerial).
- After connecting the FM wire antenna (aerial), keep it as horizontal as possible.
- Do not use the FM wire antenna (aerial) while it is bundled up.
- Insert the FM wire antenna (aerial) fully and firmly to the terminal.

### Tip

- If you have poor FM reception, use a 75-ohm coaxial cable (not supplied) to connect the subwoofer to an outdoor FM antenna (aerial) as shown below.



## Connecting the AC power cord (mains lead)

Before connecting the AC power cord (mains lead) of the system to a wall outlet (mains), connect all the other components and TV to the system.

### Notes

- After connecting the AC power cord (mains lead), wait about 20 seconds before turning on the power by pressing I/O.
- Connect the system to an easily accessible AC outlet (mains). Should you notice an abnormality in the system, disconnect the main plug from the AC outlet (mains) immediately.

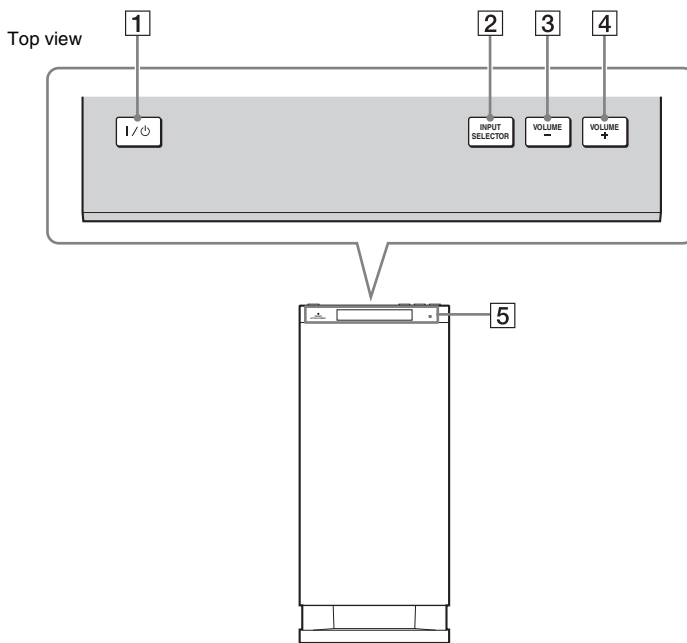
## Setting up the sound output of the connected component

To enjoy sound in multi-channel format (DTS, Dolby Digital, multi-channel LPCM), you need to make the audio output settings of the connected component. Set the connected component to output sound in multi-channel format. For details on audio output settings, refer to the operating instructions supplied with the connected component.

# Index to parts and controls

For more information, see the pages indicated in parentheses.

## Subwoofer



**1** I/⏻ (on/standby)

**2** INPUT SELECTOR

Press to select the input source to play back.  
Every time you press the button, the input source changes cyclically as follows: TV → BD → DVD → SAT/CATV → VIDEO → SA-CD/CD → TUNER FM → TUNER AM → DMPORT → TV.....

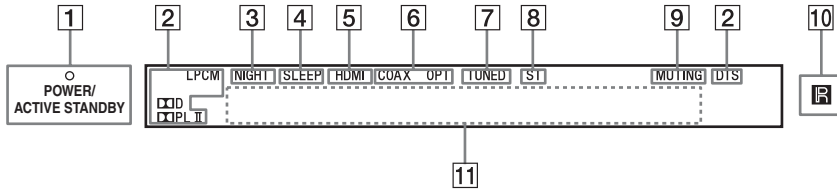
**3** VOLUME -

**4** VOLUME +

**5** Front panel display



## Front panel display (subwoofer)



**1 POWER/ACTIVE STANDBY indicator**

Lights as follows:

Green: The system is turned on.

Amber: Only HDMI parts of the system are on (The Control for HDMI function is working).

No light: The system is turned off.

**Note**

- The amber light turns off 30 seconds after you turn off the TV. However, if you set “PASS THRU” to “ON” in the AMP menu, the indicator stays amber even if you turn off the TV.

**2 Audio format indicators**

Light up according to the audio format that is being input to the system.

D: Dolby Digital

PLII: Dolby Pro Logic II

LPCM: Linear PCM

DTS

**3 NIGHT (page 50)**

Lights up in NIGHT MODE.

**4 SLEEP (page 51)**

Flashes when the sleep timer is active.

**5 HDMI (page 23)**

Lights up when HDMI components are being used or when an ARC signal is being input to the system while TV is selected as the input source.

**6 COAX/OPT**

Light up according to the cable which you are using.

**7 TUNED (page 34)**

Lights up when tuned to a station.

**8 ST (page 34)**

Lights up when a stereo program is received.

**9 MUTING**

Lights up when the sound is turned off.

**10 Remote sensor**

**11 Message display area**

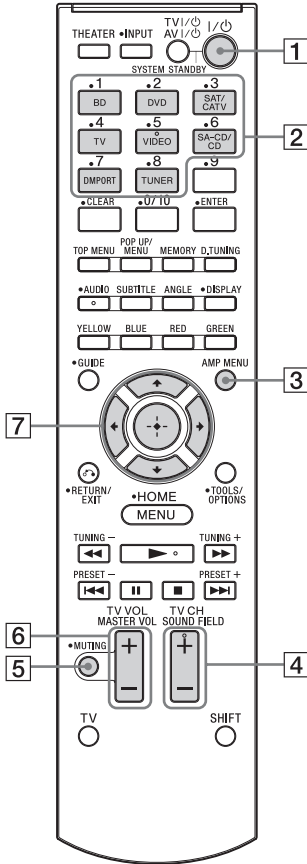
Displays volume, selected input source, audio input signal, etc.

## Remote control

This section describes subwoofer and speaker button operation. See page 43 for details on the button operation of connected components.

### Note

- Point the remote towards the remote sensor (📡) of the subwoofer.



\* The 5, ►, AUDIO and SOUND FIELD + buttons have a tactile dot. Use it as a guide during operation.

- I/⏻ (on/standby)**
- Input buttons**  
Press one of the buttons to select the component you want to use.
- AMP MENU (page 48)**

- SOUND FIELD +/- (page 37)**

- MUTING**

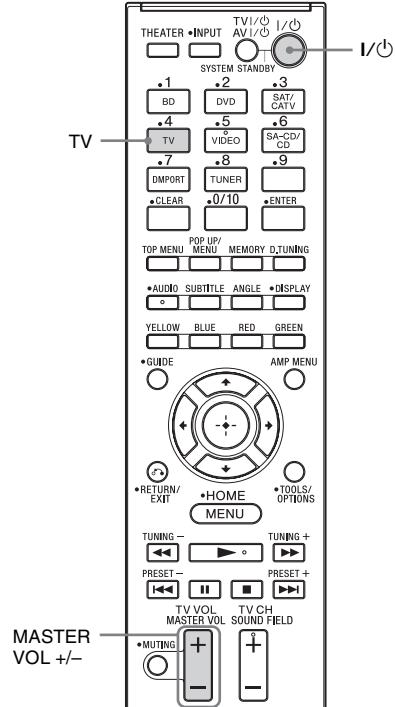
- MASTER VOL +/-**

Press to adjust the volume.

- ←, ↑, ↓, → or ⏏**

Press ←, ↑, ↓ or → to select the menu items.  
Then press ⏏ to enter the selection.

## Enjoying TV



- Turn on the TV and choose a program.**

Refer to the operating instructions of your TV for details.

- Turn the system on.**

- Press TV on the remote.**

- Adjust the volume by pressing MASTER VOL +/-.**

**Tip**

- The sound may be output from the TV’s speaker. In this case, turn the volume of the TV’s speaker down to minimum.

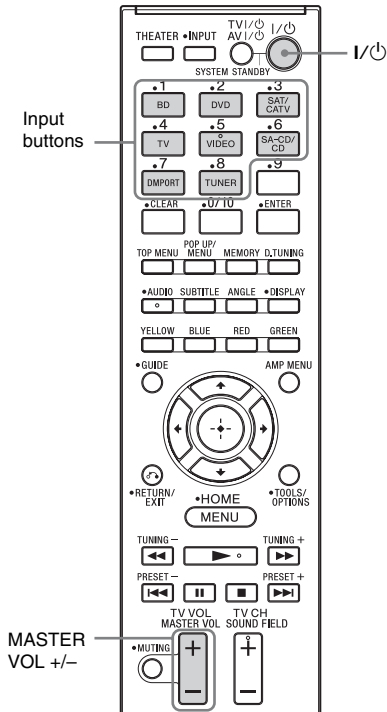
**If you are using “BRAVIA” Sync (System Audio Control)**

You do not need to perform steps 2 and 3 above. When you turn on the TV, the system is also turned on, and the input source changes automatically. You can also adjust the system’s volume using the TV’s remote. If you turn off the system, sound is output from the TV’s speaker. For details on setting “BRAVIA” Sync, see “Preparing for “BRAVIA” Sync” (page 38).

**Tip**

- The system is not turned on when you turn the TV on if sound was being output from the TV speakers the last time the TV was turned off.

**Enjoying other components**



- 1** Play the connected component.
- 2** Turn on the system.

*continued*

### 3 Press the input buttons to display the input source in the front panel display.

Input source	Playable component
TV	TV, etc. connected to the TV jack
BD	Blu-ray Disc player, etc. connected to the BD jack
DVD	DVD player, etc. connected to the DVD jack
SAT/CATV	Satellite tuner or cable television tuner, etc. connected to the SAT/CATV jack
VIDEO	DVD player, etc. connected to the DIGITAL COAX IN VIDEO jack
SA-CD/CD	CD player, etc. connected to the SA-CD/CD AUDIO IN jack
TUNER FM*	The built-in FM radio
TUNER AM*	The built-in AM radio
DMPORT	Portable audio player, etc. connected to the DMPORT jack

\* Press TUNER repeatedly to switch between TUNER FM and TUNER AM.

### 4 For video components, change the TV's input to the HDMI input you chose in step 3.

For details, refer to the operating instructions of your TV.

### 5 Adjust the volume by pressing MASTER VOL +/-.

#### Tips

- The sound may be output from the TV's speaker. In this case, turn the volume of the TV's speaker down to minimum.
- Even if you playback Dolby True HD, Dolby Digital Plus or DTS HD with a connected component compatible with these sound formats, the system accepts the signal as Dolby Digital or DTS. When you playback these high-quality sound formats, set the connected component to output the sound in multi-channel PCM, if possible.

#### Notes

- When you connect the video output jack of the DIGITAL MEDIA PORT adapter to the video input jack of the TV, set "CTRL HDMI" to "OFF" in the AMP menu of the system (page 39). The images of a component connected to the DIGITAL MEDIA PORT adapter will not be played on the TV if "CTRL HDMI" is set to "ON."
- To enjoy the sound of a component without displaying the images when "CTRL HDMI" is set to "ON," turn off the TV first and then reset the power of the system.  
If you turn on the system first and then turn off the TV, all components connected to the TV will be turned off because of the Control for HDMI function.

### If you are using "BRAVIA" Sync (One-Touch Play)

You do not need to perform steps 2 to 4 above. When you turn on the connected components, the system and the TV are also turned on, and the input source changes automatically. You can also adjust the system's volume using the TV's remote.

For details on setting "BRAVIA" Sync, see "Preparing for "BRAVIA" Sync" (page 38).

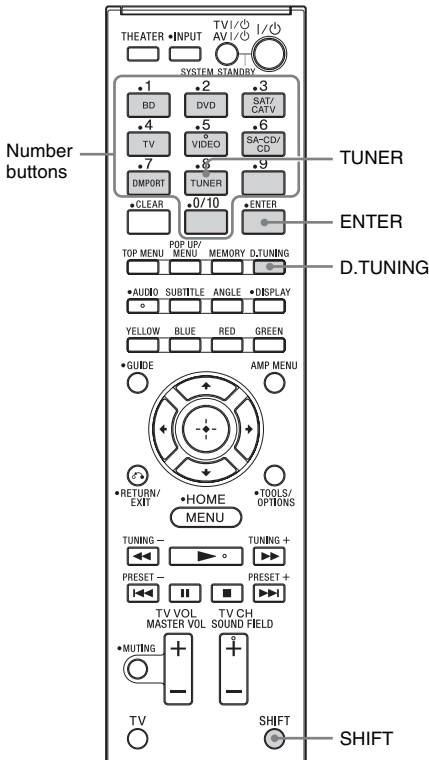
#### Tip

- The system is not turned on when you turn the TV on if sound was being output from the TV speakers the last time the TV was turned off.

## Tuner Functions

### Direct tuning

You can enter the frequency of a station directly using the number buttons.



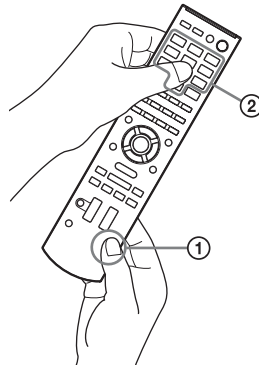
**1** Press TUNER repeatedly until “TUNER FM” or “TUNER AM” appears in the front panel display.

**2** Press D.TUNING.

**3** While pressing and holding SHIFT (①), press the number buttons (②) to enter the frequency.

Example: 88.00 MHz

While pressing and holding SHIFT, select 8 → 8 → 0 → 0.



**4** While pressing and holding SHIFT, press ENTER.

#### Tip

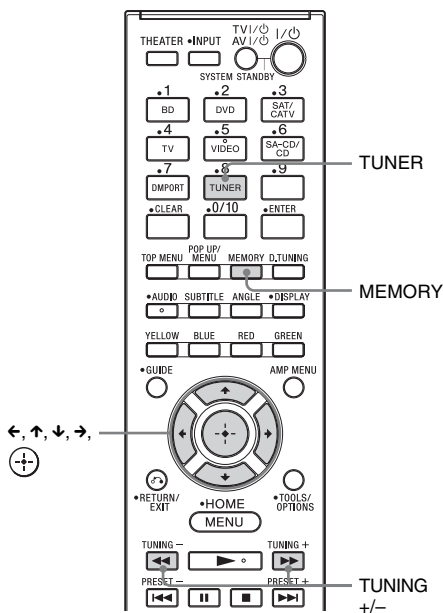
- If you have tuned in an AM station, adjust the direction of the AM loop antenna (aerial) for optimum reception.

#### If you cannot tune in a station

Make sure you have entered the right frequency. If not, repeat steps 2 to 4. If you still cannot tune in a station, it is likely that the frequency is not used in your area.

## Presetting radio stations

You can preset 20 FM and 10 AM stations. Before tuning, make sure to turn down the volume to minimum.



**1** Press **TUNER** repeatedly until “TUNER FM” or “TUNER AM” appears in the front panel display.

**2** Press and hold **TUNING +/-** until the auto scanning starts.

Scanning stops when the system tunes in a station. “TUNED” and “ST” (for FM stereo program) light up in the front panel display.

**3** Press **MEMORY**.

A preset number appears in the front panel display.

**4** Press  $\uparrow/\downarrow$  to select the preset number you want.

**5** Press  $\oplus$ .

“COMPLETE” appears in the front panel display, and the station is stored.



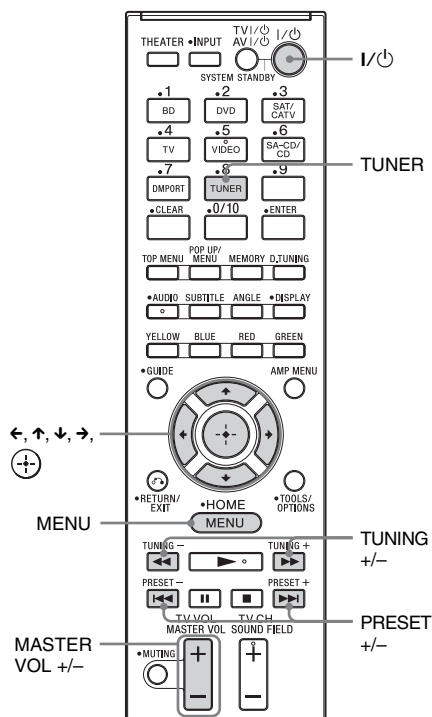
**6** Repeat 2 to 5 to store other stations.

## To change the preset number

Restart from step 3.

## Listening to the radio

Preset radio stations in the system’s memory first (see “Presetting radio stations” (page 34)).



**1** Press **TUNER** repeatedly until “TUNER FM” or “TUNER AM” appears in the front panel display.

The last received station is tuned in.

- 2 Press PRESET +/- repeatedly to select the preset station.**

Each time you press the button, the system tunes in one preset station.

You can select the preset number directly by pressing the number buttons while pressing and holding SHIFT.

- 3 Adjust the volume by pressing MASTER VOL +/-.**

### To turn off the radio

Press **I/O** to turn off the system, or change to another function.

### To listen to non-preset radio stations

Use manual or automatic tuning in step 2. For manual tuning, see “Direct tuning” (page 33).

For automatic tuning, press and hold **TUNING +/-**. The automatic tuning stops when the system tunes in a station. To stop the automatic tuning while automatic tuning is in progress, press **TUNING +/-**.

### If an FM program is noisy

If an FM program is noisy, you can select monaural reception. There will be no stereo effect, but reception will improve.

- 1 Press MENU.**
- 2 Press  $\uparrow/\downarrow$  repeatedly until “FM MODE” appears in the front panel display, then press  $\oplus$  or  $\rightarrow$ .**
- 3 Press  $\uparrow/\downarrow$  to select “MONO.”**
  - STEREO: Stereo reception.
  - MONO: Monaural reception.
- 4 Press  $\oplus$ .**  
The setting is made.
- 5 Press MENU.**

#### Tip

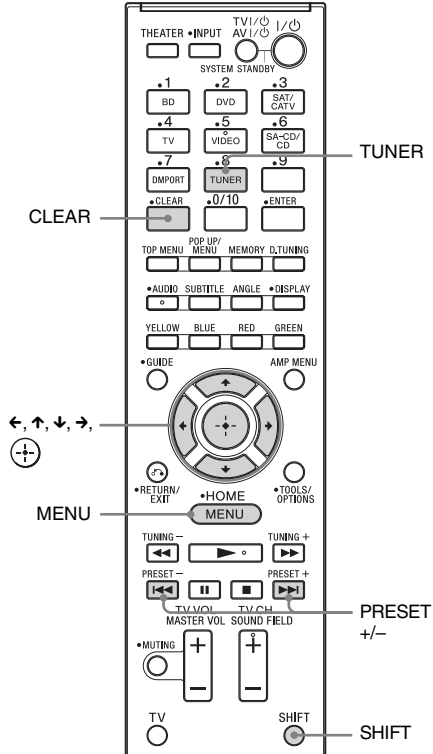
- To improve reception, reorient the FM wire antenna (aerial) (supplied).

## Naming preset stations

You can enter a name for preset stations. These names (for example, “XYZ”) appear in the front panel display when a station is selected.

You can enter a name of up to 10 characters.

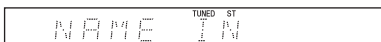
Note that no more than one name can be entered for each preset station.



- 1 Press TUNER repeatedly until “TUNER FM” or “TUNER AM” appears in the front panel display.**  
The last received station is tuned in.
- 2 Press PRESET +/- repeatedly to select the preset station you want to create a name for.**
- 3 Press MENU.**

continued

- 4** Press  $\uparrow/\downarrow$  repeatedly until “NAME IN” appears in the front panel display.



- 5** Press  $\oplus$ .

- 6** Create a name by using  $\leftarrow/\uparrow/\downarrow/\rightarrow$ .

Press  $\uparrow/\downarrow$  to select a character, then press  $\rightarrow$  to move the cursor to the next position.

Letters, numbers, and other symbols can be input for a radio station name.

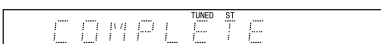
### If you enter a wrong character

Press  $\leftarrow/\rightarrow$  repeatedly until the character to be changed flashes, then press  $\uparrow/\downarrow$  to select the desired character.

To delete the character, press  $\leftarrow/\rightarrow$  repeatedly until the character to be deleted flashes, then press CLEAR while pressing and holding SHIFT.

- 7** Press  $\oplus$ .

“COMPLETE” appears in the front panel display, and the station name is stored.



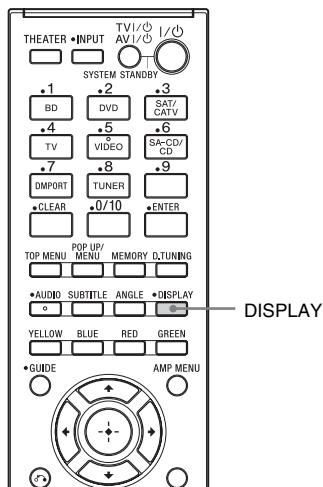
- 8** Press MENU.

#### Tip

- You can check the frequency in the front panel display by pressing DISPLAY repeatedly.

## Viewing the station name or frequency in the front panel display

When the system is set to “TUNER FM” or “TUNER AM,” you can check the frequency using the front panel display.



### Press DISPLAY.

Each time you press DISPLAY, the station name and the frequency alternate in the front panel display.

#### Tips

- The station name is displayed if you have entered a name for a preset station.
- The frequency in the front panel display switches to the station name after several seconds.

## Changing the AM tuning interval

The AM tuning interval can be set to either 10 kHz or 9 kHz.

- 1** Tune in to an AM broadcast.
- 2** Press  $I/\text{O}$ .
- 3** While holding down INPUT SELECTOR, press  $I/\text{O}$  of the subwoofer.

The interval changes to that shown in the front panel display: “AM 9K STEP” or “AM10K STEP.”

If you want to return to the previous interval, perform steps 1 to 3 again.

#### Note

- If you change the interval, all AM preset stations will be erased.

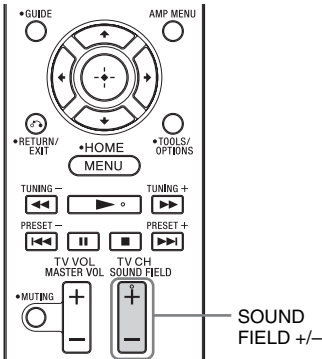


## Surround Function

# Enjoying the surround effect

## Selecting the sound field

This system can create multi-channel surround sound. You can select one of system's optimized pre-programmed sound fields.



### Press SOUND FIELD +/-.

The present sound field appears in the front panel display.



Each time you press SOUND FIELD +/-, the display changes cyclically as follows:  
 STANDARD ↔ MOVIE ↔ DRAMA ↔  
 NEWS ↔ SPORTS ↔ GAME ↔ MUSIC  
 ↔ 2CH STEREO ↔ P.AUDIO ↔  
 STANDARD ...

## Available sound fields

Sound field	Effect
STANDARD*	Suits various sources.
MOVIE*	Recreates powerful and realistic sound, along with clear dialog.
DRAMA*	Suited for TV dramas.
NEWS*	Produces the announcer's voice clearly.
SPORTS*	Produces the play-by-play commentary clearly and realistic sound with surround effects, such as cheering, etc.
GAME*	Produces powerful and realistic sound, suited for playing video games.
MUSIC*	Suited for music programs or music videos on Blu-ray Discs/DVDs.
2CH STEREO	Suited for music CDs.
P.AUDIO**	Suited to replay portable audio source.

\* These sound fields are not available when "DMPORT" is selected by pressing INPUT SELECTOR.

\*\* "P.AUDIO" appears only when "DMPORT" is selected.

### Tips

- You can set a different sound field for each input source.
- The sound field default setting for "DMPORT" is "P.AUDIO," and for other sources, "STANDARD."
- When "DMPORT" is selected by pressing INPUT SELECTOR, the center speaker produces no sound.
- Some speakers will not produce sound depending on the input signal, such as monaural programs.
- When "2CH STEREO" or "P.AUDIO" is selected, the center speaker produces no sound.
- If you press the THEATER button on a Sony TV remote when "CTRL HDMI" is set to "ON," the sound field changes to "MOVIE" (some Sony TVs excluded).

## “BRAVIA” Sync Features

### What is “BRAVIA” Sync?

By connecting Sony components that are compatible with “BRAVIA” Sync via an HDMI cable (not supplied), operation is simplified as below:

- One-Touch Play (page 39)
- System Audio Control (page 40)
- System Power Off (page 41)

“BRAVIA” Sync is compatible with Sony TVs, Blu-Ray Disc/DVD players, AV amplifiers, etc., with the Control for HDMI function.

CONTROL FOR HDMI is a mutual control function standard used by CEC (Consumer Electronics Control) for HDMI (High-Definition Multimedia Interface).

### The Control for HDMI function will not operate correctly in the following cases:

- When you connect the system to components which do not correspond with the Control for HDMI function.
- When you connect the system and components using other than an HDMI connection.
- When you connect non-Sony components which are compatible with the Control for HDMI function.

We recommend that you connect products featuring “BRAVIA” Sync to this system.

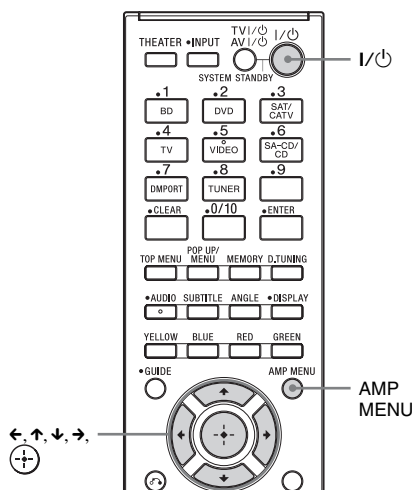
#### Note

- Depending on the connected components, the Control for HDMI function may not work. Refer to the operating instructions of the components.

## Preparing for “BRAVIA” Sync

To use “BRAVIA” Sync, set the Control for HDMI function to on for the connected components.

When you connect a Sony TV with the Control for HDMI function, the Control for HDMI function for the system and the connected components can be set simultaneously by setting the Control for HDMI function of the TV.



- 1** Make sure that the system is connected to the TV and the connected components via HDMI cables (not supplied).
- 2** Turn on the system, the TV and the connected components.
- 3** Select the input of the system and the HDMI input of the TV (SAT/CATV, DVD, BD), so that an image from a connected component is displayed.

#### 4 Display the list of the HDMI components on the TV menu, and set the Control for HDMI function to on for the connected components.

The Control for HDMI function for the system and the connected components are simultaneously set to on.

After you finish the setting, “COMPLETE” appears in the front panel display.

**Note**

- For details on setting the TV and the connected components, refer to their operating instructions.

#### If “COMPLETE” does not appear after performing the steps above

Set the Control for HDMI function to on for both the system and the connected component individually.

- 1 Press AMP MENU.
- 2 Press  $\uparrow/\downarrow$  repeatedly until “SET HDMI” appears, then press  $\oplus$  or  $\rightarrow$ .
- 3 Press  $\uparrow/\downarrow$  repeatedly until “CTRL HDMI” appears, then press  $\oplus$  or  $\rightarrow$ .
- 4 Press  $\uparrow/\downarrow$  to select “ON.”
- 5 Press AMP MENU.

The AMP menu turns off. The Control for HDMI function is set to on.

- 6 Select the input of the system connected to the component you want to use the Control for HDMI function for (SAT/CATV, DVD, BD).

- 7 Set the Control for HDMI function of the connected component to on.

For details on setting the connected component, refer to its operating instructions.

#### If you add or reconnect a component

Perform steps of “Preparing for “BRAVIA” Sync” (page 38) and “If “COMPLETE” does not appear after performing the steps above” again.

**Notes**

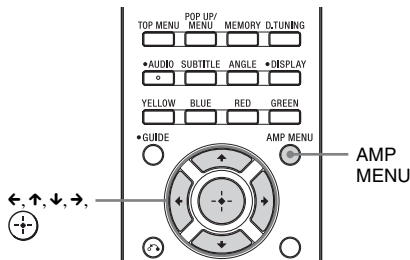
- If the Control for HDMI function for the connected component cannot be set simultaneously by setting “CONTROL FOR HDMI” of the TV, set the Control for HDMI function using the menu of the connected component.
- For details on setting the TV and the connected components, refer to their operating instructions.

**Tip**

- The default setting of the Control for HDMI function of the system is “ON.”

#### Setting the Control for HDMI function to off

Set the Control for HDMI function to off when you connect components not compatible with “BRAVIA” Sync, or that do not have HDMI jacks, etc.



- 1 Press AMP MENU.
- 2 Press  $\uparrow/\downarrow$  repeatedly until “SET HDMI” appears, then press  $\oplus$  or  $\rightarrow$ .
- 3 Press  $\uparrow/\downarrow$  to select “CTRL HDMI,” then press  $\oplus$  or  $\rightarrow$ .
- 4 Press  $\uparrow/\downarrow$  to select “OFF.”
- 5 Press AMP MENU.

The AMP menu turns off.

#### Enjoying Blu-ray Disc/DVD

##### (One-Touch Play)

#### Play back a connected component.

The TV turns on automatically and switches to the appropriate HDMI input.

*continued*

**Tip**

- Even if the system is turned off (active standby mode), the HDMI signal will be sent from the connected component to the TV via the HDMI connection. You can enjoy image and sound of the component on the TV.

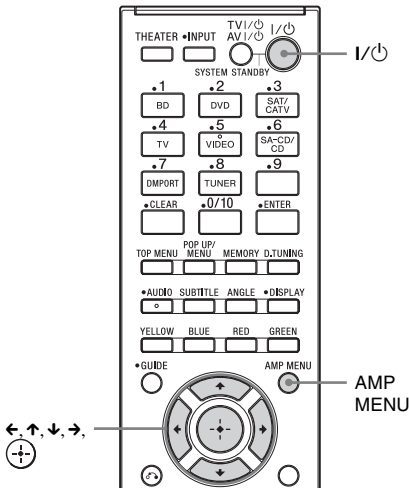
**Note**

- Depending on the TV, the start of the content may not be output.

## Enjoying the TV sound from the system

### (System Audio Control)

You can enjoy the TV sound from the speakers of the system by means of a simple operation. You can also adjust the volume and turn off the sound of the system using the TV remote. For details, refer to the operating instructions of the TV.



### Press I/Power to turn on the system.

The sound is output from the speaker of the system. Sound output reverts to the TV's speaker when you turn the system off.

**Notes**

- When the TV is turned on before this system is turned on, the TV sound will not be output for a moment.
- Depending on the TV, when you adjust the system's volume using TV's remote, the volume level appears on the TV screen, in the same way it would appear when you adjust the TV's volume. In this case, the volume level that appears on the TV screen and the system's front panel display may differ.

## Using the Volume Limit function

When the System Audio Control function is active and the output method changes from the TV speaker to the system speakers automatically, loud sound may be output depending on the volume level of the system. You can prevent this by limiting the volume level.

- 1 Press AMP MENU.**
- 2 Press ↑/↓ repeatedly until "SET HDMI" appears, then press ⊕ or →.**
- 3 Press ↑/↓ repeatedly until "VOL LIMIT" appears, then press ⊕ or →.**
- 4 Press ↑/↓ to select the volume limit you want.**

The volume limit changes as follows:

MAX ↔ 49 ↔ 48 ... 2 ↔ 1 ↔ MIN

- 5 Press AMP MENU.**

The AMP menu turns off.

**Notes**

- This function is available only when the Control for HDMI function is set to on.
- This function is not available when the output method changes from the system speakers to the TV speaker.

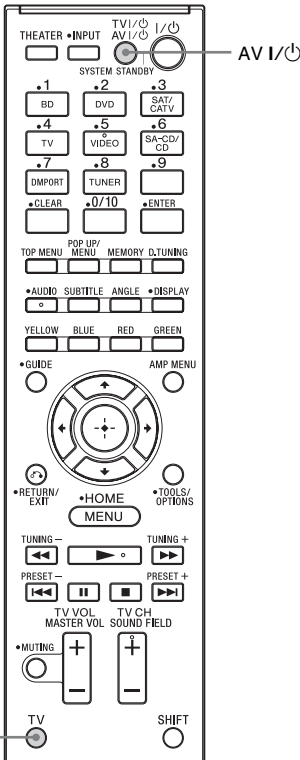
**Tips**

- We recommend that you set the volume limit to a little lower than the volume you usually listen to.
- Regardless of the volume limit you set, the VOLUME +/- buttons of the system and the MASTER VOL +/- buttons of the remote are operable.
- If you do not want to limit the volume level, select "MAX."

# Turning off the system, TV and the connected components

## (System Power Off)

When you turn the TV off by using the power button on the TV's remote, the system and the connected components turn off automatically. Also, when you turn the TV off by using the system's remote, the system and the connected components turn off automatically.



While pressing and holding TV (yellow), press AV I/⏻.

The TV, the system, and the connected components are turned off.

### Note

- Depending on the status, the connected components may not be turned off. For details, refer to the operating instructions of the connected components.

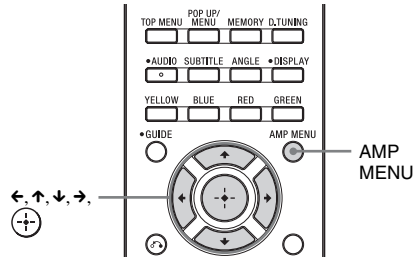
# Using the power saving function

## (HDMI PASS THRU)

When using “BRAVIA” Sync, you can enjoy image and sound from a Blu-ray Disc, etc., on the TV, even if the system is in standby mode. Power consumption in standby mode is also reduced automatically when the TV is turned off if “PASS THRU” is set to “AUTO.” The default setting is “AUTO.”

### Note

- This function is available only when “CTRL HDMI” is set to “ON.”



- 1 Press AMP MENU.
- 2 Press  $\uparrow/\downarrow$  repeatedly until “SET HDMI” appears, then press  $\leftarrow$  or  $\rightarrow$ .
- 3 Press  $\uparrow/\downarrow$  to select “PASS THRU,” then press  $\leftarrow$  or  $\rightarrow$ .

#### 4 Press $\uparrow/\downarrow$ to select the setting.

- **AUTO:** When the TV is turned on while the system is in standby mode, the system outputs HDMI signals from the system's HDMI output jack. We recommend this setting if you use a TV that is compatible with "BRAVIA" Sync. This setting saves power in standby mode compared with the "ON" setting.
- **ON:** When the system is in standby mode, the system continuously outputs HDMI signals from the system's HDMI output jack.

#### Note

- When "AUTO" is selected, it may take a little more time for the picture and sound to be output to the TV than when "ON" is selected.

#### 5 Press AMP MENU.

The AMP menu turns off.

#### 3 Press $\uparrow/\downarrow$ repeatedly until "ARC" appears, then press $\odot$ or $\rightarrow$ .

#### 4 Press $\uparrow/\downarrow$ to select "OFF".

- **ON:** The ARC function turns on.
- **OFF:** The ARC function turns off.

#### 5 Press AMP MENU.

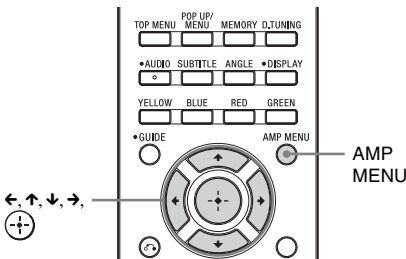
The AMP menu turns off.

#### Note

- When "CTRL HDMI" is set to "OFF," the ARC function and its setting are not available.

## Setting the Audio Return Channel function to off

If the TV is compatible with the Audio Return Channel (ARC) function, an HDMI cable connection also sends a digital audio signal from the TV. You do not need to make a separate audio connection for listening to TV sound. If you do not use the ARC function, connect the system and TV via digital optical cord and set "ARC" to "OFF" in the AMP menu.



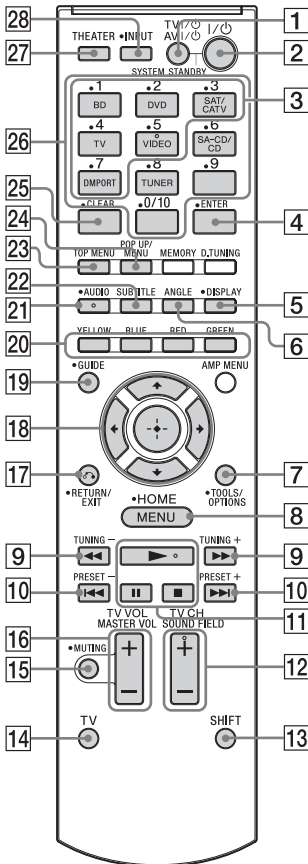
#### 1 Press AMP MENU.

#### 2 Press $\uparrow/\downarrow$ repeatedly until "SET HDMI" appears, then press $\odot$ or $\rightarrow$ .

## Advanced Settings

# Controlling connected Sony components with the remote

You can control connected Sony components with the remote of this system. Some functions may not be selectable depending on the equipment. In that case, select them using the remote control supplied with the equipment.



\* The 5, **▶**, AUDIO and SOUND FIELD + buttons have a tactile dot. Use it as a guide during operation.

## To control the component

**1** Press one of the input buttons **3** (BD, DVD, SAT/CATV, TV, VIDEO, or DMPORT) to select the component you want to operate.

The component assigned to the selected input button becomes operable.

**2** Referring to the following table, press the corresponding button for the operation.

## Common operations

Remote Button	Function
<b>1</b> TV I/⏻ AV I/⏻ (on/standby)	Turns on or off the Sony TV or audio/video components that the remote is assigned to operate. Press <b>1</b> TV I/⏻/AV I/⏻ and <b>2</b> I/⏻ at the same time to turn off the system and all other components that the remote is assigned to operate (SYSTEM STANDBY).
<b>4</b> ENTER	Enters the selection. For TV, while pressing and holding <b>14</b> TV (yellow), press <b>4</b> ENTER. For other components, while pressing and holding <b>13</b> SHIFT, press <b>4</b> ENTER.
<b>18</b> ⬅, ➡, ⬆, ⬇, Ⓢ	Selects a menu item and enters the selection.
<b>20</b> Color buttons	Displays an operation guide on the TV screen when the color buttons are available. Follow the operation guide to perform a selected operation.
<b>25</b> CLEAR	Clears the selection. For TV, while pressing and holding <b>14</b> TV (yellow), press <b>25</b> CLEAR. For other components, while pressing and holding <b>13</b> SHIFT, press <b>25</b> CLEAR.

Remote Button	Function
26 Number buttons	Selects channels and tracks directly. For TV, press and hold 14 TV (yellow), and press the number buttons to select channels. For other components, press and hold 13 SHIFT, and press the number buttons to select channels or tracks.

## To control a TV

While pressing and holding 14 TV (yellow), press the buttons with a yellow dot or yellow printing.

Remote Button	Function
5 DISPLAY	Displays the current channel number, etc.
7 TOOLS/ OPTIONS	Enables you to access various viewing options and change/make adjustments according to the source and screen format.
8 MENU/HOME	Allows you to select channels or input sources and change the settings for your TV.
12 TV CH +/-	Selects the next (+) or previous (-) channel.
15 MUTING	Turns off the sound.
16 TV VOL +/-	Adjusts the volume.
17 RETURN/EXIT	Returns to the previous screen of any displayed menu.
18 ←, ↑, ↓, →, (+)	Selects a menu item and enters the selection.
19 GUIDE	Displays the guide when you are watching analog or digital channels.
21 AUDIO	Selects the audio format/track.

Remote Button	Function
27 THEATER	Automatically sets the optimal picture settings for watching movies, such as low-light settings, when you connect a Sony TV that is compatible with the THEATER button function. Also, audio is automatically switched to the audio output of this system when you connect the TV and the system with HDMI connection, and the Control for HDMI function is set to on.
28 INPUT	Selects input.

## To control the DVD recorder/Blu-ray Disc recorder

Remote Button	Function
6 ANGLE	Switches to other viewing angles when multi-angles are recorded on a DVD VIDEO.
8 MENU/HOME	Displays the menu.
9 ◀▶▶▶	To fast reverse or to fast forward the disc when pressed during playback.
10 ◀◀▶▶▶	To go to the beginning of the previous or next chapter or track.
11 ▶ (playback)    (pause, press again to resume normal playback) ■ (stop)	Play mode buttons.
18 ←, ↑, ↓, →, (+)	Selects a menu item and enters the selection.
21 AUDIO	Selects the audio format/track.
22 SUBTITLE	Selects the subtitle language when multilingual subtitles are recorded on a BD-ROM/DVD VIDEO.
23 TOP MENU	Displays the top menu/disc menu.
24 POP UP/MENU	Displays the BD-ROM's Pop-up Menu, or the DVD's menu.



## To control the DVD player/Blu-ray Disc player

Remote Button	Function
6 ANGLE	Switches to other viewing angles when multi-angles are recorded on a DVD VIDEO.
8 MENU/HOME	Displays the menu.
9 ◀▶▶▶	To fast reverse or to fast forward the disc when pressed during playback.
10 ◀◀▶▶▶▶	To go to the beginning of the previous or next chapter or track.
11 ▶▶ (playback)/⏸ (pause, press again to resume normal playback)/■ (stop)	Play mode buttons.
18 ◀, ↑, ↓, ▶, (+)	Selects a menu item and enters the selection.
21 AUDIO	Selects the audio format/track.
22 SUBTITLE	Selects the subtitle language when multilingual subtitles are recorded on a BD-ROM/DVD VIDEO.
23 TOP MENU	Displays the top menu/disc menu.
24 POP UP/MENU	Displays the BD-ROM's Pop-up Menu, or the DVD's menu.

## To control the HDD/DVD COMBO

Remote Button	Function
6 ANGLE	Switches to other viewing angles when multi-angles are recorded on a DVD VIDEO.
8 MENU/HOME	Displays the menu.
9 ◀▶▶▶	To fast reverse or to fast forward the disc when pressed during playback.
10 ◀◀▶▶▶▶	To specify the previous or next chapter or track.

Remote Button	Function
11 ▶▶ (playback)/⏸ (pause, press again to resume normal playback)/■ (stop)	Play mode buttons.
18 ◀, ↑, ↓, ▶, (+)	Moves the highlight (cursor) and selects the item.
21 AUDIO	Selects the audio format/track.
22 SUBTITLE	Selects the subtitle language when multilingual subtitles are recorded on a BD-ROM/DVD VIDEO.
23 TOP MENU	Displays the top menu/disc menu.
24 POP UP/MENU	Displays the BD-ROM's Pop-up Menu, or the DVD's menu.

## To control the SAT

Remote Button	Function
8 MENU/HOME	Displays the menu.
18 ◀, ↑, ↓, ▶, (+)	Selects a menu item and enters the selection.
19 GUIDE	Displays the guide menu.

### Note

- The above explanations are intended to serve as an example only. Depending on the component, the above operations may not be possible, or may operate differently than described.

## To control the connected component through DMPORT connection

Remote Button	Function
5 DISPLAY	Press to select the setting of the front panel display.
8 MENU	Displays the menu.
9 ◀▶▶▶	Press to fast reverse or to fast forward the disc when pressed during playback.
10 ◀◀▶▶▶▶	Press to skip chapters.
11 ▶▶ (playback)/⏸ (pause)/■ (stop)	Play mode buttons.

continued

Remote Button	Function
17  RETURN	Returns to the previous screen of any displayed menu.
18	Selects a menu item and enters the selection.

## Changing the input button assignments of the remote

You can change the factory settings of the input buttons to suit the components in your system. For example, if you connect a Blu-ray Disc player to the DVD jack on the system, you can set the DVD button on this remote to control the Blu-ray Disc player.

You cannot change the remote assignments for TV, DMPORT and TUNER.

**1** Press and hold the input button whose assignment you want to change, and then press and hold AV I/⏻ at the same time.

Example: While holding down DVD, press and hold AV I/⏻.

**2** While continuing to hold down AV I/⏻, release the input button you selected in step 1.

Example: While continuing to hold down AV I/⏻, release DVD.

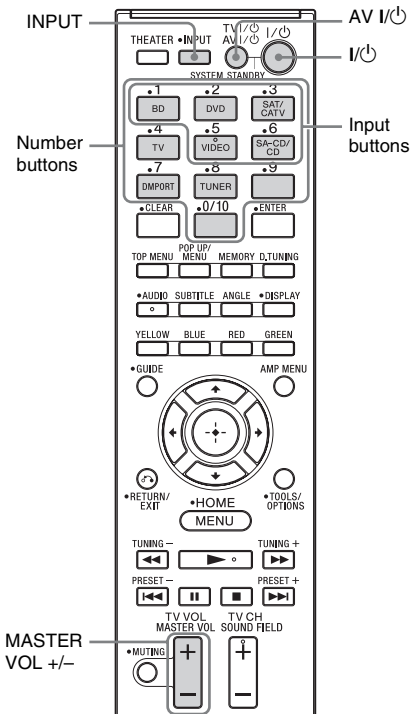
**3** While continuing to hold down AV I/⏻, refer to the following table and press the corresponding number button for the category you want.

Example: While continuing to hold down AV I/⏻, press 1.

**4** Release the number button you selected in step 3, and then release AV I/⏻.

Example: Release 1, then release AV I/⏻.

Now you can use the DVD button to control the Blu-ray Disc player.



## Categories and the corresponding buttons for BD, DVD, SAT/CATV, VIDEO and SA-CD/CD

Categories	Press
Blu-ray Disc player (command mode BD1) <sup>a)</sup>	1
Blu-ray Disc recorder (command mode BD3)	2
DVD player (command mode DVD1)	3
DVD recorder (command mode DVD3) <sup>b)</sup>	4
VCR (command mode VTR3)	5
CD player	6
DSS <sup>c)</sup>	7

<sup>a)</sup>The initial setting of the BD button. For details on the BD1 or BD3 setting, refer to the operating instructions supplied with the Blu-ray Disc player or Blu-ray Disc recorder.

<sup>b)</sup>The initial setting of the DVD button. Sony DVD recorders are operated with a DVD1 or DVD3 setting. For details, refer to the operating instructions supplied with the DVD recorders.

<sup>c)</sup>The initial setting of the SAT/CATV button.

### To clear all remote button assignments

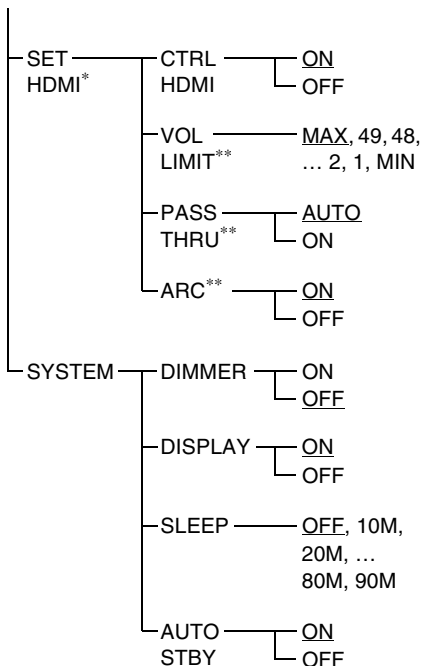
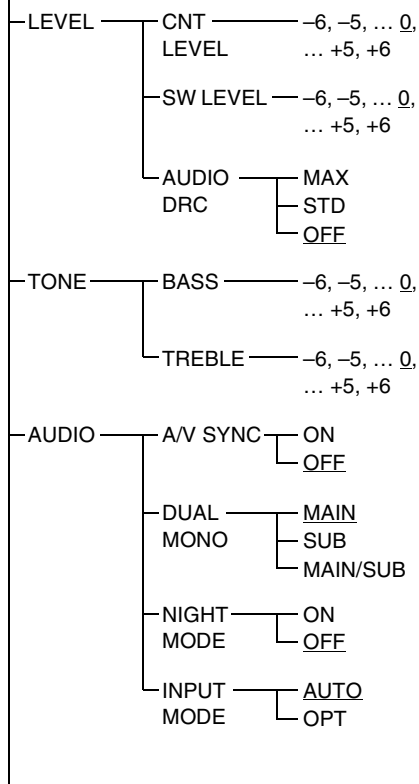
While holding down MASTER VOL –, press I/⏪ and INPUT. Then, release the buttons. The remote is reset to its initial settings.

# Settings and adjustments using the amplifier menu

## Using the AMP menu

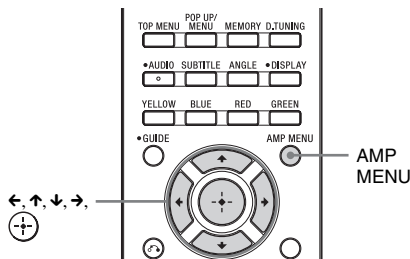
You can set the following items with AMP MENU on the remote.  
The default settings are underlined.

### AMP MENU



\* See “BRAVIA” Sync Features” (page 38).

\*\* This setting appears only when “CTRL HDMI” is set to “ON.”



- 1** Press AMP MENU to turn on the AMP menu.
- 2** Press  $\leftarrow/\uparrow/\downarrow/\rightarrow$  repeatedly to select the item and the setting.
- 3** Press AMP MENU to turn off the AMP menu.

**Tip**

- These settings are retained even if you disconnect the AC power cord (mains lead).

The following pages show details for each setting.

---

## Setting the speaker level (CNT LEVEL, SW LEVEL)

You can adjust the level and the balance of the center speaker and subwoofer.

- 1** Select “LEVEL” in the AMP menu, then press  $\oplus$  or  $\rightarrow$ .
- 2** Select “CNT LEVEL” or “SW LEVEL,” then press  $\oplus$  or  $\rightarrow$ .
  - CNT LEVEL: Adjusts the center speaker level.
  - SW LEVEL: Adjusts the subwoofer level.
- 3** Select the parameter you want and press  $\oplus$ .  
The parameter of “CNT LEVEL” and “SW LEVEL” is from “-6” to “+6” in 1-step increments. The default setting is “0.”

---

## Enjoying Dolby Digital sound at low volume (AUDIO DRC)

Narrows the dynamic range of the sound track. Useful for enjoying movies at low volume. AUDIO DRC only applies to Dolby Digital sources.

- 1** Select “LEVEL” in the AMP menu, then press  $\oplus$  or  $\rightarrow$ .
- 2** Select “AUDIO DRC,” then press  $\oplus$  or  $\rightarrow$ .
- 3** Select the setting and press  $\oplus$ .
  - OFF: No compression of dynamic range.
  - STD: Reproduces the sound track with the kind of dynamic range that the recording engineer intended.
  - MAX: Compresses dynamic range fully.

---

## Adjusting the bass and treble level (BASS, TREBLE)

You can adjust the bass and treble level easily.

- 1** Select “TONE” in the AMP menu, then press  $\oplus$  or  $\rightarrow$ .
- 2** Select “BASS” or “TREBLE,” then press  $\oplus$  or  $\rightarrow$ .
  - BASS : Adjusts the bass level.
  - TREBLE : Adjusts the treble level.
- 3** Select the parameter you want and press  $\oplus$ .  
The parameter is from “-6” to “+6” in 1-step increments. The default setting is “0.”

---

## Adjusting the delay between the sound and the image (A/V SYNC)

You can delay the sound using this function when the image is slower than the sound.

- 1** Select “AUDIO” in the AMP menu, then press  $\oplus$  or  $\rightarrow$ .
- 2** Select “A/V SYNC,” then press  $\oplus$  or  $\rightarrow$ .
- 3** Select the setting and press  $\oplus$ .
  - OFF: No adjustment.
  - ON: Adjusts the difference between picture and sound.

**Notes**

- You may not be able to adjust the delay between sound and image perfectly using this function.
- This function is useful only for Dolby Digital, DTS and Linear PCM (2ch) input via digital coaxial cord, digital optical cord or HDMI cable.

*continued*


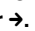
---

## Enjoying multiplex broadcast sound (DUAL MONO)

You can enjoy multiplex broadcast sound when the system receives an AC-3 multiplex broadcast signal.

### Note

- To receive an AC-3 signal, you need to connect a digital satellite tuner to the system with an optical cable or coaxial cable, and set the digital output mode of the digital satellite tuner to AC-3.

**1** Select “AUDIO” in the AMP menu, then press  or .

**2** Select “DUAL MONO,” then press  or .


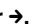
**3** Select the setting and press .

- MAIN: Plays back only the main channel.
- SUB: Plays back only the sub channel.
- MAIN/SUB: Main sound is output from the left speaker and sub sound is output from the right speaker.

---

## Enjoying the sound at low volume (NIGHT MODE)

You can enjoy sound effects and hear the dialog clearly even at a low volume level using this function.

**1** Select “AUDIO” in the AMP menu, then press  or .

**2** Select “NIGHT MODE,” then press  or .

**3** Select the setting and press .

- ON: Turns on the “NIGHT MODE” function.
- OFF: Turns off the function.


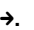
### Tip

- You can listen to Dolby Digital sound at low volume by using AUDIO DRC (page 49).

---

## Setting the sound from the satellite tuner (INPUT MODE)

Even if you connect the satellite tuner to the HDMI SAT/CATV input jack of the system, multi-channel sound may not be output depending on the satellite tuner. In this case, connect a digital optical cord to the SAT/CATV OPT IN jack of the system in addition to an HDMI cable, and make the following setting.

**1** Select “AUDIO” in the AMP menu, then press  or .

**2** Select “INPUT MODE,” then press  or .


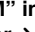
**3** Select “OPT” and press .


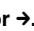
- AUTO: Preferentially output the sound signal from the HDMI SAT/CATV input jack.
- OPT: Output the signal from the SAT/CATV OPT IN jack.

---

## Changing the brightness of the front panel display (DIMMER)

The brightness of the front panel display can be set to one of 2 levels.

**1** Select “SYSTEM” in the AMP menu, then press  or .

**2** Select “DIMMER,” then press  or .

**3** Select the setting and press .

- ON: Dim.
- OFF: Bright.

## Changing the display setting (DISPLAY)

You can change the display behavior of the front panel display.

- 1** Select "SYSTEM" in the AMP menu, then press  $\oplus$  or  $\rightarrow$ .
- 2** Select "DISPLAY," then press  $\oplus$  or  $\rightarrow$ .
- 3** Select the setting and press  $\oplus$ .
  - ON: The display stays turned on.
  - OFF: The display appears for a few seconds when you operate the system.

### Tip

- The display shows the kinds of input signal (digital input only) when you press DISPLAY, even if you set "DISPLAY" to "OFF."

### Note

- The display stays turned on when the muting or protection function is working, even if you set "DISPLAY" to "OFF."

## Using the sleep timer (SLEEP)

You can set the system to turn off at a preset time when you want to fall asleep listening to music. You can preset the time in 10-minute increments.

- 1** Select "SYSTEM" in the AMP menu, then press  $\oplus$  or  $\rightarrow$ .
- 2** Select "SLEEP," then press  $\oplus$  or  $\rightarrow$ .
- 3** Select the preset time you want and press  $\oplus$ .

The minutes display (remaining time) changes as follows:

OFF	↔	10M	↔	20M
↑		↓		↓
90M	↔	80M	...	30M

### Note

- This function is only for this system, not for the connected TV or other components.

## Auto Standby function (AUTO STBY)

You can reduce power consumption. The system enters standby mode automatically when you do not operate the system for about 30 minutes and the system is not outputting sound for about 30 minutes.

The default setting is "ON".

- 1** Select "SYSTEM" in the AMP menu, then press  $\oplus$  or  $\rightarrow$ .
- 2** Select "AUTO STBY," then press  $\oplus$  or  $\rightarrow$ .
- 3** Select the setting and press  $\oplus$ .
  - ON: Turns on the "AUTO STBY" function.
  - OFF: Turns off the function.

### Notes

- When the system is turned off via the AUTO STBY function, the system may not be turned on automatically when you turn on the TV next time.
- "AUTO STBY" begins to flash in the front panel display about two minutes before the system enters standby mode.

## Additional Information

### Troubleshooting

If you experience any of the following difficulties while using the system, use this troubleshooting guide to help remedy the problem before requesting repairs. Should any problem persist, consult your nearest Sony dealer.

#### POWER

##### The power is not turned on.

- Check that the AC power cord (mains lead) is connected securely.

##### The system is not turned on when the TV is turned on.

- Check the TV speaker settings. The TV speaker settings control how the system is automatically turned on with the TV. To enjoy the TV sound via the system, you need to set the speaker settings of the TV to output the sound from external audio equipment. For details, refer to the operating instructions of the TV.
- The system is not turned on when you turn the TV on if sound was being output from the TV speakers the last time the TV was turned off.

##### The System Power Off function does not work.

- Change the setting of the TV to turn connected components off automatically when you turn off the TV. For details, refer to the operating instructions of the TV.

##### The system is turned off when you turn off the TV.

- When the Control for HDMI function is on, the System Power Off function is active, and the system is turned off when you turn off the TV.

##### The system is turned off automatically.

- The AUTO STBY function is working (page 51).

#### SOUND

##### Dolby Digital or DTS multi-channel sound is not reproduced.

- Check that the Blu-ray Disc, DVD, etc., is recorded in Dolby Digital or DTS format.
- When connecting the Blu-ray Disc, DVD player, etc., to the digital input jacks of this system, check the audio setting (settings for the audio output) of the connected component.

##### The surround effect cannot be obtained.

- Depending on the digital signal, the surround processing may not work (page 37). Press DISPLAY to show the sound format in the front panel display. If “2.0CH” or “1.0CH” is displayed in the front panel display, the signal is stereo or monaural and does not include multi-channel sound. If “5.1CH,” etc., is displayed, the signal contains multiple channels, but the surround effect may be subtle depending on the program or disc.

##### No TV sound is output from the system.

- Check the connection of the digital optical cord or audio cord that is connected to the system and the TV (page 23).
- Check the sound output of the TV.
- If the TV is compatible with the ARC function, set “CTRL HDMI” and “ARC” to “ON.”

##### The sound is output from both the system and the TV.

- If the Control for HDMI function is set to off, or the selected component is not compatible with the Control for HDMI function, turn off the sound of the system or the TV.

##### Sound lags behind the TV image.

- Set “A/V SYNC” to “OFF” if “A/V SYNC” is set to “ON.”

##### The volume turns down when the output method changes from the TV speaker to the system speakers.

- The Volume Limit function is working. For details, see “Using the Volume Limit function” (page 40).



---

**No sound or only a very low-level sound of the connected component is heard from the system.**

- Press MASTER VOL + and check the volume level.
- Press MUTE or MASTER VOL + to cancel the muting function.
- Check that the input source is correctly selected.
- Check that all the cables and cords of the system and the connected components are fully inserted.
- Check the HDMI setting of the connected components.

---

**No sound is output from specific speakers.**

- Check that the connectors of the speaker cord are fully inserted into the jacks.
- Depending on the sound source that is input to the system or selected sound field of the system (page 37), no sound is output from the center speaker.

---

**Sound is interrupted or there is noise.**

- Check “Formats supported by this system” (page 54).

---

**IMAGE**


---

**No image appears on the TV.**

- Check that the TV and the system are connected correctly.
- Check that the TV is selected correctly.
- Set the TV to the appropriate input mode.
- Check whether HDMI IN and HDMI OUT are connected in reverse.
- Check that the cords are fully inserted into the jacks on both the component and this system (pages 23, 25).

---

**No 3D image appears on the TV.**

- Depending on the TV or the video component, 3D images may not be displayed. Check the 3D image formats supported by the system (page 55).


---

**When the system is in standby mode, there is no image or sound on the TV.**

- “CTRL HDMI” is set to “OFF.”
- When the system is in standby mode, image and sound are output from the HDMI component selected the last time you turned off the system. If you want to play a component other than the HDMI component you selected last time, play the component via One-Touch Play, or turn on the system to select the HDMI component you want to enjoy.
- Make sure “PASS THRU” is set to “ON” in the AMP menu if you connect components not compatible with “BRAVIA” Sync to the system (page 41).

---

**The remote does not function**

- Point the remote at the remote sensor  on the system.
- Remove any obstacles in the path between the remote and the system.
- Replace both batteries in the remote with new ones, if they are weak.
- Make sure you select the correct input on the remote.

---

**OTHER**


---

**Control for HDMI does not work properly.**

- Check the HDMI connection (page 23).
- Set up Control for HDMI on the TV (page 38).
- Make sure the connected component is compatible with “BRAVIA” Sync.
- Check the Control for HDMI settings on the connected component. Refer to the operating instructions supplied of the connected component.
- If you change the HDMI connection, connect/disconnect the AC power cord (mains lead), or if there is a power failure, repeat the procedures of ““BRAVIA” Sync Features” (page 38).
- When you plug in or unplug the AC power cord (mains lead), wait 15 seconds or more before operating the system.

- If you connect the audio output of the video component and the system using other than an HDMI cable, no sound may be output because of “BRAVIA” Sync. In this case, set “CTRL HDMI” to “OFF” (page 39) or connect the audio output jack directly to the TV instead of the system.

If “PROTECTOR” and “PUSH POWER” appear alternately in the front panel display.

Press I/⏻ to turn off the system, and check the following item after “STANDBY” disappears.

- Is anything blocking the ventilation holes of the system?

After checking the above item and fixing any problems, turn on the system. If the cause of the problem cannot be found even after checking the above item, consult your nearest Sony dealer.

**If the system still does not operate properly after performing the above measures, reset the system as follows:**

Use buttons on the system for the operation.

**1** Press I/⏻ to turn on the power.

**2** Press I/⏻ while pressing INPUT SELECTOR and VOLUME –.

“COLD RESET” appears and the system is reset. AMP menu, sound field, etc., return to the default settings.

## Specifications

### Formats supported by this system

Digital input formats supported by this system are as follows.

Format	Supported/Not supported
Dolby Digital	○
DTS	○
Linear PCM (2ch)*	○
Linear PCM (5.1ch, 7.1ch)* (Only on HDMI)	○
Dolby Digital Plus	×
Dolby True HD	×
DTS-HD	×

\* Linear PCM accepts sampling frequencies of no more than 48 kHz.

### AUDIO POWER SPECIFICATIONS

POWER OUTPUT AND TOTAL HARMONIC DISTORTION:

(FTC)

for the U.S. model

Front L + Front R:

With 4 ohms loads, both channels driven, from 180 - 20,000 Hz; rated 60 Watts per channel minimum RMS power, with no more than 1 % total harmonic distortion from 250 milli watts to rated output.

### Amplifier section

U.S. models:

POWER OUTPUT (reference)

Front L/Front R: 100 W (per channel at 4 ohms, 1 kHz)

Center: 100 W (at 4 ohms, 5 kHz)

Subwoofer: 100 W (at 4 ohms, 100 Hz)

Canadian models:

POWER OUTPUT (rated)

Front L / Front R: 65 W + 65 W (at 4 ohms, 1 kHz, 1 % THD)

POWER OUTPUT (reference)	
Front L/Front R:	100 W (per channel at 4 ohms, 1 kHz)
Center:	100 W (at 4 ohms, 5 kHz)
Subwoofer:	100 W (at 4 ohms, 100 Hz)
Inputs	
TV, SA-CD/CD	Analog
TV, SAT/CATV	Digital (Optical)
VIDEO	Digital (Coaxial)

## HDMI section

Connector	HDMI™ connector
Video inputs/outputs	BD, DVD, SAT/CATV; 640 × 480p@60 Hz 720 × 480p@59.94/60 Hz 1280 × 720p@59.94/60 Hz 1920 × 1080i@59.94/60 Hz 1920 × 1080p@59.94/60 Hz 720 × 576p@50 Hz 1280 × 720p@50 Hz 1920 × 1080i@50 Hz 1920 × 1080p@50 Hz 1920 × 1080p@24 Hz
Video inputs/outputs (3D)	BD, DVD, SAT/CATV; 1280 × 720p@59.94/60 Hz Frame packing 1920 × 1080i@59.94/60 Hz Frame packing 1920 × 1080i@59.94/60 Hz Side-by-Side (Half) 1920 × 1080p@59.94/60 Hz Side-by-Side (Half) 1280 × 720p@50 Hz Frame packing 1920 × 1080i@50 Hz Frame packing 1920 × 1080i@50 Hz Side-by-Side (Half) 1920 × 1080p@50 Hz Side-by-Side (Half) 1920 × 1080p@24 Hz Frame packing
Audio inputs	BD, DVD, SAT/CATV: Linear PCM 7.1ch/ Dolby Digital/DTS

## Tuner section

System	PLL quartz-locked digital synthesizer
FM tuner section	
Tuning range	87.5 - 108.0 MHz (100 kHz step)
Antenna (aerial)	FM wire antenna (aerial)

Antenna (aerial) terminals	75 ohms, unbalanced
Intermediate frequency	10.7 MHz
AM tuner section	
Tuning range	530 kHz - 1,710 kHz (with the interval set at 10 kHz) 531 kHz - 1,710 kHz (with the interval set at 9 kHz)
Antenna (aerial)	AM loop antenna (aerial)
Intermediate frequency	450 kHz

## Speaker (SS-CT350)

Front speaker unit	
Speaker system	Full range
Speaker unit	40 mm × 70 mm (1 5/8 in × 2 7/8 in), cone type × 2
Rated impedance	4 ohms
Center speaker unit	
Speaker unit	40 mm (1 5/8 in), cone type × 2
Rated impedance	4 ohms
Dimensions (approx.)	996 mm × 66 mm × 72 mm (39 1/4 in × 2 5/8 in × 2 7/8 in) (w/h/d)
Mass (approx.)	2.4 kg (5 lb 5 oz)
Speaker cords	3 m

## Subwoofer (SA-WCT350)

Speaker system	Subwoofer, Bass reflex
Speaker unit	130 mm (5 1/8 in) cone type
Rated impedance	4 ohms
Dimensions (approx.)	196 mm × 450 mm × 410 mm (7 3/4 in × 17 3/4 in × 16 1/4 in) (w/h/d)
Mass (approx.)	10.5 kg (23 lb 3 oz)

## WS-CT350EB

### Extension bracket

Dimensions (approx.)	180 mm × 147 mm × 26 mm (w/h/d)
Mass (approx.)	555 g

### Rear cover A

Dimensions (approx.)	80 mm × 85 mm × 14 mm (w/h/d)
Mass (approx.)	25 g

**Rear cover B**

Dimensions (approx.)	80 mm × 82 mm × 47 mm (w/h/d)
Mass (approx.)	35 g

**Rear cover C**

Dimensions (approx.)	80 mm × 82 mm × 47 mm (w/h/d)
Mass (approx.)	35 g

**Cover for the TV**

Dimensions (approx.)	273 mm × 245 mm × 31 mm (w/h/d)
Mass (approx.)	165 g

**General**

Power requirements 120 V AC, 60 Hz

Power consumption

On: 80 W

Standby mode: 0.3 W or less (Control for HDMI is off.)

Power output

(DIGITAL MEDIA PORT) DC OUT: 5 V, 700 mA

Design and specifications are subject to change without notice.

- Standby power consumption 0.3 W or less.
- Halogenated flame retardants are not used in the certain printed wiring boards.
- Over 85 % power efficiency of amplifier block is achieved with the full digital amplifier, S-Master.

# Index

## A

A/V SYNC 49  
AMP menu 48  
ARC 24, 42  
AUDIO DRC 49  
AUTO STBY 51

## B

BASS 49  
“BRAVIA” Sync 38

## C

CNT LEVEL 49  
Connecting  
    AM loop antenna (aerial) 26  
    Blu-ray Disc player 23  
    cable television tuner 23, 25  
    DIGITAL MEDIA PORT adapter 25  
    DVD player 23, 25  
    FM wire antenna (aerial) 27  
    PlayStation 2 25  
    PlayStation 3 24  
    satellite tuner 23, 25  
    TV 23

## D

Digital optical cord 23  
DIMMER 50  
DISPLAY 36, 51  
DUAL MONO 50

## F

Front panel display 29

## I

INPUT MODE 50  
INPUT SELECTOR 28  
Installing 8

## M

Muting 30

## N

NIGHT MODE 50

## P

Positioning the system 8  
Preventing the TV from falling 19  
PROTECTOR 54

## R

Radio 34  
Radio stations 34  
Remote  
    before use 7  
    operating 30, 43

## S

Sleep timer 51  
Sound field 37  
SW LEVEL 49

## T

TREBLE 49

## V

VOLUME 28, 30  
Volume Limit function 40

## AVERTISSEMENT

### Pour réduire les risques d'incendie ou d'électrocution, gardez cet appareil à l'abri de la pluie et de l'humidité.

L'appareil n'est pas débranché du secteur aussi longtemps qu'il est raccordé à la prise secteur, même s'il s'éteint automatiquement.

Pour réduire le risque d'incendie, ne recouvrez pas l'orifice de ventilation de l'appareil avec des journaux, des nappes, des rideaux, etc.

Ne placez pas de flammes nues, comme des bougies allumées, sur l'appareil.

Pour réduire le risque d'incendie ou d'électrocution, n'exposez pas cet appareil à des éclaboussures et ne placez pas d'objets remplis de liquide, comme des vases, sur l'appareil.

La fiche principale étant utilisée pour déconnecter l'unité de l'alimentation secteur, connectez l'unité à une prise secteur aisément accessible. Si vous remarquez une anomalie dans l'appareil, débranchez immédiatement la fiche principale de la prise secteur.

N'installez pas cet appareil dans un endroit confiné, comme sur une étagère ou un meuble TV intégré.

N'exposez pas les piles ou les appareils contenant des piles à une chaleur excessive, notamment aux rayons directs du soleil, à une flamme, etc.

### Pour les clients résidant aux Etats-Unis



Ce symbole est destiné à renseigner l'utilisateur sur la présence à l'intérieur du boîtier de l'appareil d'une « tension dangereuse » non isolée et suffisamment puissante pour présenter un risque d'électrocution.



Ce symbole est destiné à renseigner l'utilisateur sur la présence d'importantes instructions d'utilisation et d'entretien (service) dans les documents qui accompagnent l'appareil.

## Enregistrement du propriétaire

Les numéros de modèle et de série se trouvent à l'arrière du caisson de graves. Indiquez ces numéros dans l'espace prévu à cet effet ci-dessous. Vous devrez vous y référer lors d'un appel à votre revendeur Sony au sujet de ce produit.

N° de modèle HT-CT350

N° de série \_\_\_\_\_

## Consignes de sécurité importantes

- 1) Lisez ces instructions.
- 2) Conservez ces instructions.
- 3) Respectez tous les avertissements.
- 4) Respectez toutes les instructions.
- 5) N'utilisez pas cet appareil à proximité de l'eau.
- 6) Nettoyez-le uniquement avec un chiffon sec.
- 7) N'obstruez pas les orifices de ventilation. Installez l'appareil conformément aux instructions du fabricant.
- 8) N'installez pas l'appareil à proximité des sources de chaleur telles que les radiateurs, les registres de chaleur, les poêles ou autres appareils (y compris les amplificateurs) produisant de la chaleur.
- 9) N'altérez pas le dispositif de sécurité de la fiche polarisée ou mise à la terre. Une fiche polarisée compte deux lames de largeur différente. Une fiche de type mise à la terre possède deux lames et une broche de mise à la terre. La lame la plus large ou la troisième broche assure une fonction de sécurité. Si la fiche fournie d'origine ne s'adapte pas à votre prise, faites remplacer la prise obsolète par un électricien.
- 10) Protégez le cordon d'alimentation des lieux de passage ou des points de pincement, en particulier au niveau des fiches, des prises de courant et de sa sortie de l'appareil.
- 11) Utilisez uniquement des accessoires spécifiés par le fabricant.
- 12) Utilisez uniquement l'appareil avec le chariot, socle, trépied, support ou table spécifié par le fabricant ou vendu avec l'appareil. Si vous utilisez un chariot, soyez prudent lorsque vous le déplacez avec l'appareil afin d'éviter toute chute susceptible de provoquer des blessures.



- 13) Débranchez cet appareil en cas d'orage ou d'inutilisation prolongée.
- 14) Confiez toutes les réparations à du personnel de service qualifié. L'appareil doit être réparé en cas de dommage quelconque, notamment lorsque le cordon d'alimentation ou sa fiche est endommagé, du liquide ou un objet a pénétré à l'intérieur de l'appareil, l'appareil a été exposé à la pluie ou à l'humidité, l'appareil ne fonctionne pas normalement ou est tombé.

La déclaration de la FCC suivante s'applique uniquement à la version de ce modèle fabriquée pour la vente aux Etats-Unis. Il se peut que les autres versions ne soient pas conformes aux réglementations techniques de la FCC.

#### REMARQUE:

Cet appareil a été testé et s'est révélé conforme aux limites des appareils numériques de Classe B, conformément à l'alinéa 15 de la réglementation FCC. Ces limites sont conçues pour assurer une protection raisonnable contre les interférences nuisibles dans une installation résidentielle. Cet appareil génère, utilise et peut rayonner de l'énergie de fréquence radio qui, en cas d'installation et d'utilisation non conformes aux instructions, peut engendrer des interférences nuisibles avec les communications radio. Il n'est toutefois pas garanti qu'aucune interférence ne surviendra dans une installation particulière. Si cet appareil altère effectivement la réception radio ou télévisée, ce qui peut être déterminé en le mettant hors tension, puis à nouveau sous tension, nous vous encourageons à essayer de remédier à la situation en prenant une ou plusieurs mesures ci-après :

- Réorientez ou repositionnez l'antenne de réception.
- Augmentez la distance qui sépare l'appareil du récepteur.
- Raccordez l'appareil à la prise d'un circuit différent de celui auquel le récepteur est raccordé.
- Sollicitez l'aide de votre revendeur ou d'un technicien en radio/télévision expérimenté.

## ATTENTION

Vous êtes prévenu que toute modification ou changement non expressément approuvé dans ce manuel peut annuler votre autorisation à utiliser cet appareil.

## Précautions

### Concernant la sécurité

- Si un objet ou du liquide venait à pénétrer à l'intérieur du système, débranchez-le et faites-le vérifier par un technicien qualifié avant de le remettre en marche.
- Ne grimpez pas sur le caisson de graves, car vous risqueriez de tomber et de vous blesser, ou encore d'endommager le système.

### Concernant les sources d'alimentation

- Avant de mettre en marche le système, vérifiez que la tension de fonctionnement est identique à celle de votre source d'alimentation locale. La tension de fonctionnement est indiquée sur l'étiquette située à l'arrière du caisson de graves.
- Si vous prévoyez de ne pas utiliser le système pendant une période prolongée, assurez-vous de le déconnecter de la prise murale. Pour déconnecter le cordon d'alimentation, tirez sur la fiche et non sur le cordon.
- Une des lames de la fiche est plus large que l'autre pour assurer une meilleure sécurité et ne peut être insérée dans la prise murale que dans un sens. Si vous ne pouvez pas insérer la fiche dans la prise murale, contactez votre revendeur.
- Le cordon d'alimentation doit être remplacé uniquement dans un centre de service après-vente qualifié.

### Concernant l'accumulation de chaleur

Bien que le système chauffe lors du fonctionnement, il ne s'agit pas d'un dysfonctionnement. Si vous utilisez le système continuellement à un volume élevé, la température augmente considérablement au niveau de ses faces arrière et inférieure. Pour éviter de vous brûler, ne touchez pas le système.

### Concernant l'emplacement

- Installez le système dans un endroit correctement ventilé afin d'éviter l'accumulation de chaleur et de prolonger la durée de vie de votre système.
- N'installez pas le système à proximité de sources de chaleur ou dans un endroit soumis aux rayons du soleil, à une poussière excessive ou à des chocs mécaniques.
- A l'arrière du caisson de graves, ne placez aucun objet qui pourrait obstruer les orifices de ventilation et provoquer des dysfonctionnements.

FR

- N'installez pas le système à proximité d'appareils tels qu'un téléviseur, un magnétoscope ou un magnétophone. (Si le système est utilisé conjointement avec un téléviseur, un magnétoscope ou un magnétophone, et s'il est trop proche de cet appareil, cela peut provoquer des parasites et altérer la qualité de l'image. Il est très probable que cela se produise en particulier si vous utilisez une antenne intérieure. Par conséquent, il est recommandé d'utiliser une antenne extérieure.)
- Faites attention lorsque vous installez le système sur des surfaces traitées (avec de la cire, de l'huile, etc.), car vous risquez de les tacher et de les décolorer.

### Concernant le fonctionnement

Avant de raccorder d'autres composants, assurez-vous d'éteindre et de débrancher le système.

### Si l'écran du téléviseur situé à proximité présente des irrégularités de couleurs

Le système est doté d'un blindage magnétique qui permet de l'installer à proximité d'un téléviseur. Cependant, des irrégularités de couleurs peuvent toujours être constatées sur certains types de téléviseurs.

### En cas d'irrégularités de couleurs...

Mettez immédiatement le téléviseur hors tension, puis remettez-le sous tension après 15 à 30 minutes.

### En cas d'irrégularités de couleurs persistantes...

Eloignez le système davantage encore du téléviseur.

### Concernant l'entretien

Nettoyez le système avec un chiffon sec et doux.

N'utilisez pas de tampons abrasifs, de poudre à récurer ou de solvant tel que de l'alcool ou de la benzine.

Si vous avez des questions ou si vous rencontrez des problèmes avec votre système, consultez votre revendeur Sony le plus proche.

## Copyrights

Ce système intègre les systèmes Dolby\* Digital et Pro Logic Surround, ainsi que DTS\*\* Digital Surround System.

\* Fabriqué sous licence de Dolby Laboratories.

Dolby, Pro Logic et le symbole double-D sont des marques de Dolby Laboratories.

\*\* Fabriqué sous licence des brevets américains suivants : 5 451 942 ; 5 956 674 ; 5 974 380 ;

5 978 762 ; 6 487 535, ainsi que d'autres brevets délivrés ou en instance aux Etats-Unis et dans le monde. DTS et son symbole sont des marques déposées et DTS Digital Surround ainsi que les logos DTS sont des marques commerciales de DTS, Inc. Ce produit comprend un logiciel. © DTS, Inc. Tous droits réservés.

Ce système intègre la technologie High-Definition Multimedia Interface (HDMI™).

HDMI, le logo HDMI et High-Definition Multimedia Interface sont des marques commerciales ou des marques déposées de HDMI Licensing LLC aux Etats-Unis et dans d'autres pays.

« BRAVIA Sync » est une marque commerciale de Sony Corporation.

« PlayStation » est une marque déposée de Sony Computer Entertainment Inc.

« x.v.Color » et le logo « x.v.Color » sont des marques commerciales de Sony Corporation.



ENERGY STAR® est une marque déposée aux États-Unis.

En sa qualité de partenaire ENERGY STAR®, Sony Corporation a déterminé que ce produit répond aux prescriptions ENERGY STAR® en matière d'utilisation efficace de l'énergie.



# Table des matières

Précautions .....	3
<b>Mise en route</b>	
Déballage .....	6
Positionnement du système.....	8
Avertissement relatif à l'installation de l'enceinte du système sur le socle ou au mur.....	10
Raccordement de l'enceinte.....	23
Raccordement du téléviseur, du lecteur, etc.....	24
Raccordement d'autres composants.....	26
Raccordement de l'antenne.....	27
Raccordement du cordon d'alimentation.....	28
Réglage de sortie du son du composant raccordé .....	28
<b>Options de lecture</b>	
Index des composants et des commandes .....	29
Regarder la télévision .....	31
Utilisation d'autres composants.....	32
<b>Fonctions du tuner</b>	
Syntonisation directe.....	34
Présélection de stations radio.....	35
Ecoute de la radio.....	35
Attribution de noms aux stations prédéfinies .....	37
Affichage de la fréquence ou du nom de la station dans l'affichage du panneau frontal.....	38
<b>Fonction Surround</b>	
Reproduction de l'effet surround.....	39
<b>Fonctionnalités de « BRAVIA » Sync</b>	
Qu'est-ce que « BRAVIA » Sync ? .....	40
Préparation de « BRAVIA » Sync.....	40
Utilisation de Blu-ray Disc/DVD.....	42 (Lecture une touche)
Reproduction du son du téléviseur à partir du système.....	42 (Commande du son du système)
Mise hors tension du système, du téléviseur et des composants raccordés .....	43 (Mise hors tension du système)
Utilisation de la fonction d'économie d'énergie .....	44 (HDMI PASS THRU)
Désactivation de la fonction Audio Return Channel .....	45
<b>Configuration avancée</b>	
Contrôle des composants Sony raccordés à l'aide de la télécommande .....	46
Modification des affectations des touches de sélection d'entrée de la télécommande .....	49
Sélections et réglages à l'aide du menu de l'amplificateur .....	51
<b>Informations complémentaires</b>	
Dépannage.....	55
Caractéristiques .....	57
Index.....	60

## Déballage

- Caisson de graves (SA-WCT350) (1)



- Enceinte (SS-CT350) (1)



- Antenne cadre AM (1)



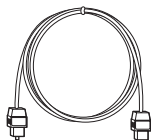
- Fil d'antenne FM (1)



- Cordon d'enceinte (1)



- Cordon optique numérique pour téléviseur (2,5 m) (1)



- Télécommande (RM-AAU071) (1)



- Piles R6 (AA) (2)



- WS-CT350EB
- Support d'extension (1)



- Couvercle arrière A (1)



- Couvercle arrière B (1)



- Couvercle arrière C (1)



- Couvercle du téléviseur (1)



- Vis du support d'extension (grandes, +PSW5 × 16 mm) (6)



- Vis du couvercle arrière (petite, M3 × 8 mm) (1)



- Courroie de soutien (1)



- Vis de la courroie de soutien (+PSW4 × 20 mm) (1)



- Vis à bois de la courroie de soutien (M3,8 × 20 mm) (1)




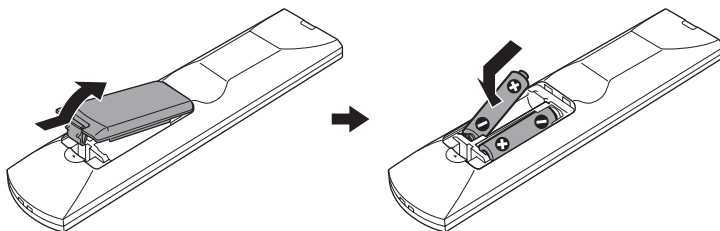
- Vis de fixation (2)



- Garantie (1)
- Mode d'emploi (1)

## Insertion des piles dans la télécommande

Insérez deux piles R6 (AA) (fournies) en faisant correspondre les pôles  $\oplus$  et  $\ominus$  des piles avec les signes représentés à l'intérieur du compartiment. Pour utiliser la télécommande, dirigez-la vers le capteur de télécommande  de l'affichage du panneau frontal du caisson de graves.



### Remarques

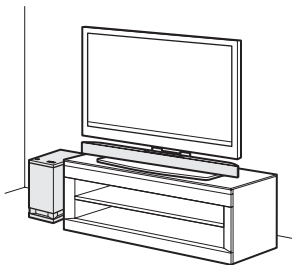
- Ne laissez pas la télécommande dans un endroit extrêmement chaud ou humide.
- N'utilisez pas simultanément une pile neuve et une pile usagée.
- Ne laissez rien tomber dans le boîtier de la télécommande, en particulier lorsque vous remplacez les piles.
- N'exposez pas le capteur de télécommande à la lumière directe du soleil ou d'une lampe. Vous risqueriez de l'endommager.
- Si vous ne prévoyez pas d'utiliser la télécommande pendant une période prolongée, retirez les piles pour éviter qu'elles fuient et génèrent de la corrosion, endommageant ainsi la télécommande.

## Positionnement du système

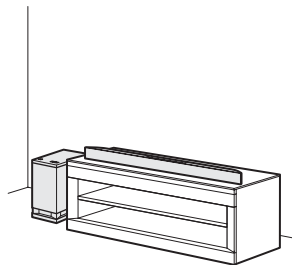
Les illustrations ci-dessous, fournies à titre d'exemple, indiquent comment installer le caisson de graves et l'enceinte.

Vous pouvez installer l'enceinte avec les modèles de téléviseurs suivants (non fournis) :

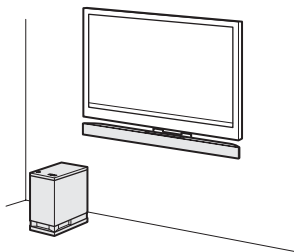
- KDL-40/46LX900, KDL-40NX800, KDL-40/46HX800, KDL-40/46EX700, KDL-46EX701, KDL-40/46NX700, KDL-40/46EX600



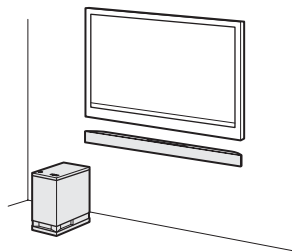
Pour plus d'informations, reportez-vous à la section « Installation de l'enceinte sur le socle » (page 14).



Installez l'enceinte sur un support.



Pour plus d'informations, reportez-vous à la section « Fixation au mur de l'enceinte et du téléviseur » (page 18).



Pour plus d'informations, reportez-vous à la section « Installation de l'enceinte au mur » (page 22).

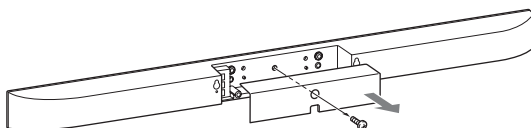
### Remarque

- N'obstruez pas les orifices de ventilation thermique situés sur le panneau arrière du caisson de graves.

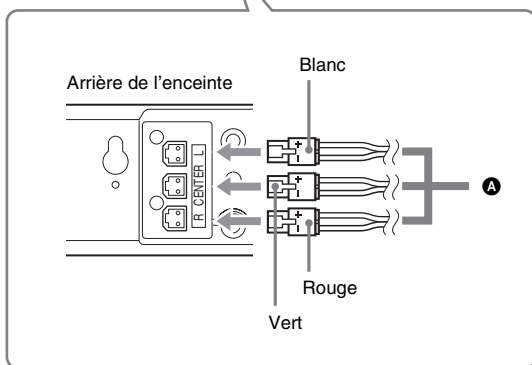
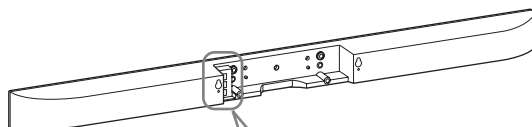
## Raccordement du cordon d'enceinte à l'enceinte

Les connecteurs du cordon d'enceinte possèdent un code de couleur qui dépend du type d'enceinte. Raccordez les connecteurs du cordon d'enceinte aux prises d'enceinte de couleur correspondante.

**1 Retirez la vis du couvercle situé à l'arrière de l'enceinte, puis enlevez le couvercle.**

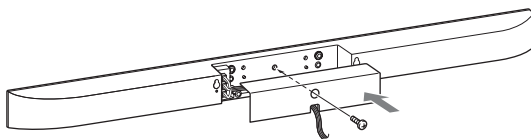


**2 Branchez le cordon d'enceinte.**



**3 Faites passer le cordon d'enceinte par l'encoche carrée située en dessous du couvercle, puis réinstallez le couvercle sur l'enceinte et fixez-le à l'aide de la vis retirée à l'étape 1.**

Si vous fixez l'enceinte au téléviseur, ne réinstallez pas le couvercle. Exécutez les étapes des sections « Installation de l'enceinte sur le socle » (page 14) ou « Fixation au mur de l'enceinte et du téléviseur » (page 18).



### Remarques

- Lorsque vous installez l'enceinte ou un téléviseur au mur, veillez à ne pas trébucher sur le cordon raccordé à l'enceinte.
- Veillez à ne pas pincer le cordon d'enceinte lorsque vous réinstallez le couvercle.

# Avertissement relatif à l'installation de l'enceinte du système sur le socle ou au mur

## A l'attention des clients

Une certaine expérience est requise pour installer ce produit. Veuillez à confier l'installation à des revendeurs ou à des installateurs agréés Sony et portez une attention particulière aux consignes de sécurité pendant l'installation. Sony ne saurait être tenue responsable de tout dommage ou de toute blessure découlant d'une mauvaise utilisation ou d'une installation incorrecte, ou encore de l'installation d'un produit autre que celui spécifié. Vos droits légaux (éventuels) ne sont pas affectés.

## Sécurité

Les produits Sony sont conçus pour vous offrir le maximum de sécurité. Toutefois, si les produits sont utilisés de façon incorrecte, ils peuvent entraîner des blessures graves en provoquant un incendie ou l'électrocution, ou encore la chute ou le renversement de l'appareil. Veuillez à observer les consignes de sécurité préconisées pour éviter de tels accidents.

## AVERTISSEMENT

Le non-respect des consignes suivantes peut être fatal ou entraîner des blessures graves en provoquant un incendie ou l'électrocution, ou encore la chute ou le renversement du produit.

**Évitez de renverser les produits ou de les installer à un endroit où ils risqueraient de tomber.**

- Veuillez à confier l'installation, le déplacement et le démontage des produits à du personnel agréé en tenant les petits enfants à l'écart pendant la procédure.
- Une installation non autorisée peut entraîner de graves blessures ou des dégâts matériels importants.

- Si vous faites appel à un revendeur non agréé pour transporter ou démonter l'enceinte SS-CT350 ou le téléviseur sur lequel l'enceinte SS-CT350 est installée, vous risquez de faire tomber les produits et de provoquer de graves blessures ou des dégâts importants. Veuillez à ce que deux personnes au moins transportent ou démontent le(s) produit(s).
- Ne retirez pas les vis, etc. après l'installation de l'enceinte SS-CT350 ou du téléviseur sur lequel l'enceinte SS-CT350 est installée.
- N'appliquez aucune force excessive sur les produits au cours de l'entretien ou du nettoyage.
- Si vous accrochez l'enceinte SS-CT350 ou le téléviseur sur lequel l'enceinte SS-CT350 est installée sur un mur fragile ou sur un mur dont la surface n'est pas plate ou perpendiculaire, le(s) produit(s) risque(nt) de tomber et de provoquer des blessures ou des dégâts.
- Si l'enceinte SS-CT350 ou le téléviseur sur lequel l'enceinte SS-CT350 est installée ne sont pas fermement fixés au mur, le(s) produit(s) risque(nt) de tomber et de provoquer des blessures ou des dégâts.



**Ne posez aucun objet sur les produits.**

- Ne posez aucun objet sur les produits. Sinon, le système risquerait de tomber et de provoquer des blessures ou des dégâts.



**Ne vous appuyez pas sur les produits et ne vous y suspendez pas.**

- Ne vous appuyez pas sur les produits et ne vous y suspendez pas, car ils risqueraient de tomber et de provoquer des blessures graves.



**Soyez attentif à l'emplacement.**

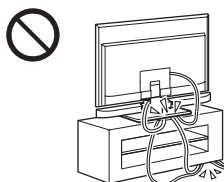
- N'installez pas les produits sur une surface telle qu'un pilier, qui laisserait dépasser les coins ou les côtés des produits. Si une personne ou un objet venait à heurter un coin ou un côté des produits, cela risquerait de provoquer des blessures ou des dégâts.
- N'exposez pas les produits à la pluie ou à l'humidité, ou ne renversez jamais aucun liquide sur ceux-ci. Cela pourrait provoquer un incendie ou l'électrocution.

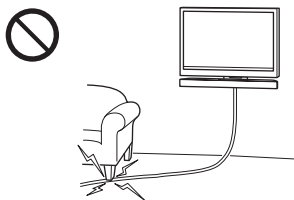
- Ne placez jamais les produits dans un endroit extrêmement chaud, humide ou poussiéreux, ou encore dans un endroit où ils seraient soumis à des vibrations mécaniques. Cela pourrait provoquer un incendie ou l'électrocution.
- Tenez les objets inflammables et les flammes nues (bougie, etc.) à l'écart des produits.
- N'installez pas les produits sur ou sous un climatiseur. Si les produits sont exposés à l'air du climatiseur pendant une période prolongée ou sont mouillés suite à une fuite de ce dernier, cela peut provoquer un incendie, une électrocution ou un dysfonctionnement.



**Veillez à ne pas pincer les cordons.**

- Si le cordon d'alimentation ou les cordons de raccordement sont coincés entre les produits et le mur, le sol ou un autre objet, ou encore s'ils sont pliés ou tordus, les conducteurs internes peuvent être exposés et provoquer un court-circuit ou une coupure électrique. Cela pourrait provoquer un incendie ou l'électrocution.
- Ne marchez pas sur le cordon d'alimentation ou les cordons de raccordement lorsque vous transportez les produits. Le cordon risquerait d'être endommagé, provoquant ainsi un incendie ou l'électrocution.





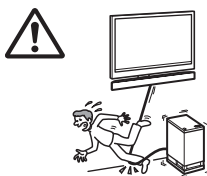
### **Ne couvrez pas les orifices de ventilation des produits.**

- Si vous couvrez les orifices de ventilation (avec un linge, par exemple), la chaleur risque de s'accumuler à l'intérieur de l'appareil et de provoquer un incendie.



### **Ne trébuchez pas sur les cordons.**

- Vous risqueriez de trébucher ou de renverser les produits et de vous blesser.



---

## **ATTENTION**

Le non-respect des consignes suivantes peut entraîner des blessures ou des dommages matériels.

### **N'installez aucun appareil autre que ceux spécifiés.**

- Les accessoires WS-CT350EB (fournis) sont conçus pour être utilisés exclusivement avec l'appareil spécifié. Si vous installez un appareil autre que ceux qui sont spécifiés, il pourrait tomber ou se briser et provoquer des blessures.
- Ne modifiez pas les produits.
- Ne posez pas d'objet brûlant directement sur les produits. La chaleur pourrait entraîner leur décoloration ou leur déformation.

### **Veillez à fixer l'enceinte du système au téléviseur.**

- Fixez fermement l'enceinte SS-CT350 et le téléviseur lors de leur installation. Ensuite, fixez fermement au socle ou au mur le téléviseur sur lequel l'enceinte SS-CT350 est installée. Si l'enceinte SS-CT350 et le téléviseur ne sont pas solidement installés, ils risquent de tomber ou de se renverser et de provoquer des blessures.

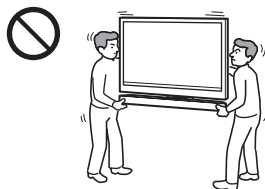
### **Ne déposez aucun objet lourd sur les produits et ne leur faites subir aucune sorte de choc.**

- Lors de l'installation de l'enceinte SS-CT350 sur un meuble TV ou lors de la suspension au mur du téléviseur sur lequel l'enceinte SS-CT350 est installée, n'appuyez pas les mains sur l'enceinte ou le téléviseur. Ne heurtez pas l'enceinte ou le téléviseur avec des objets durs, tels qu'un tournevis.

### **Lors du déplacement du téléviseur sur lequel l'enceinte SS-CT350 est installée**

Si vous déplacez les produits brutalement, vous risquez de les endommager ou de vous blesser. Veillez à vous conformer aux procédures adéquates et aux conseils donnés ci-dessous.

- Veillez à ce que deux personnes au moins transportent le téléviseur sur lequel l'enceinte SS-CT350 est installée, et n'oubliez pas de débrancher et de retirer au préalable l'appareil raccordé.
- Evitez de vous pincer les mains ou les pieds sous la partie inférieure du téléviseur sur lequel l'enceinte SS-CT350 est installée.
- Lors du transport du téléviseur sur lequel l'enceinte SS-CT350 est installée, ne saisissez pas l'enceinte SS-CT350. Cela pourrait provoquer des dégâts ou des blessures.
- Ne tirez pas le téléviseur sur lequel l'enceinte SS-CT350 est installée. La base risque de se détacher et d'endommager le sol.





### **Remarques concernant l'installation**

- Lors de l'assemblage, recouvrez le sol d'un linge pour éviter de l'endommager.
- Installez les produits sur une surface plane et dure.
- N'oubliez pas que deux personnes au moins sont requises pour installer les produits. Si vous effectuez seul cette opération, vous risquez de provoquer un accident ou de vous blesser.
- Veillez à maintenir les enfants à distance pendant cette procédure.

### **Veillez à installer solidement les produits en vous conformant aux instructions.**

- Serrez convenablement les vis. Si l'enceinte SS-CT350 n'est pas solidement installée, elle risque de tomber et de provoquer des dégâts ou des blessures.
- Veillez à ne pas vous pincer les doigts ou les mains lors de l'assemblage des produits.

### **Remarques concernant l'installation au mur**

- Si vous utilisez les produits fixés au mur pendant une longue période, le mur situé derrière les produits ou au-dessus de ceux-ci peut se décolorer, ou encore le papier peint peut se décoller, selon le matériau du mur.
- Les trous des vis restent apparents si vous démontez les produits après leur installation au mur.
- Avant de procéder à l'installation, consultez votre installateur agréé pour choisir un emplacement approprié (à l'abri des interférences radio, etc.).

## Installation de l'enceinte sur le socle

Vous pouvez installer l'enceinte avec les modèles de téléviseurs suivants (non fournis) :

- KDL-40/46LX900, KDL-40NX800, KDL-40/46HX800, KDL-40/46EX700, KDL-46EX701, KDL-40/46NX700, KDL-40/46EX600

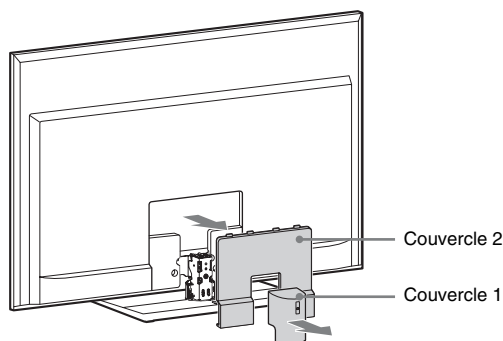
Même si la forme de la base du socle varie selon le modèle de téléviseur, vous pouvez installer l'enceinte sur le socle en vous conformant à la procédure suivante.

### 1 Retirez les couvercles 1 et 2 de l'arrière du téléviseur.

Pour plus d'informations sur le retrait des couvercles, reportez-vous au mode d'emploi du téléviseur.

#### Remarque

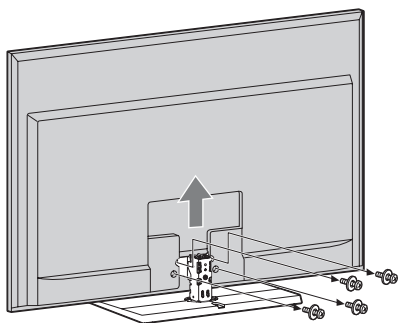
- Certains téléviseurs Sony ne possèdent pas le couvercle 2.



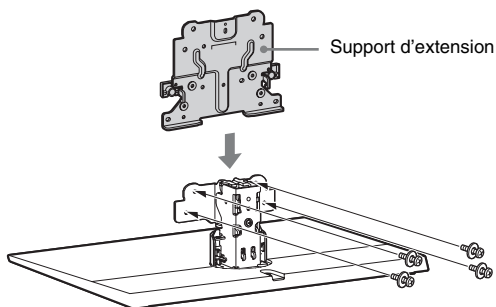
### 2 Retirez les vis du téléviseur, puis détachez le téléviseur du socle.

#### Remarque

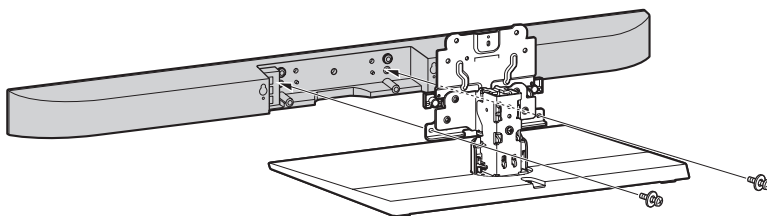
- Veillez à placer le téléviseur sur un linge doux et épais, écran vers le bas, afin d'éviter d'endommager la surface de l'écran LCD.



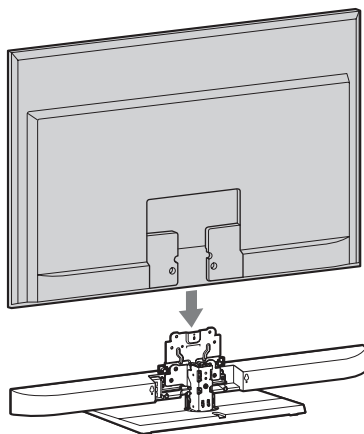
- 3** Fixez le support d'extension (fourni) au socle à l'aide des grandes vis (+PSW5 × 16 mm) (fournies).



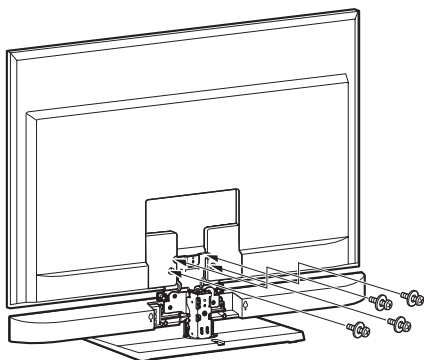
- 4** Fixez l'enceinte au support d'extension à l'aide des grandes vis (+PSW5 × 16 mm) (fournies).



- 5** Remettez le téléviseur en place.



## 6 Fixez le téléviseur à l'aide des vis retirées à l'étape 2.



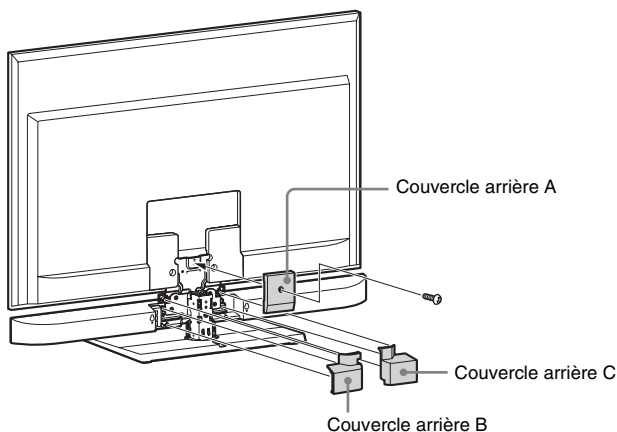
## 7 Fixez les couvercles arrière A, B et C (fournis).

Fixez le couvercle arrière A au support d'extension à l'aide de la petite vis (M3 × 8 mm) (fournie). Faites passer le cordon d'enceinte à travers l'encoche rectangulaire du couvercle arrière B, puis insérez les trois parties saillantes du couvercle arrière B dans les orifices du support d'extension et de l'enceinte.

Insérez les trois parties saillantes du couvercle arrière C dans les orifices du support d'extension et de l'enceinte.

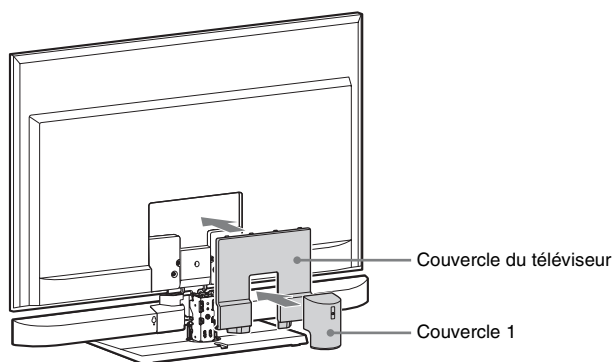
### Remarque

- Lors du transport du téléviseur sur lequel l'enceinte SS-CT350 est installée, ne saisissez pas l'enceinte SS-CT350. Cela pourrait provoquer des dégâts ou des blessures.



## 8 Fixez le couvercle du téléviseur (fourni) et le couvercle 1 retiré à l'étape 1.

Insérez les deux parties saillantes du couvercle du téléviseur dans les orifices du téléviseur.  
Pour plus d'informations sur la fixation du couvercle 1, reportez-vous au mode d'emploi du téléviseur.



### Remarque

- Par mesure de protection, fixez le téléviseur. Pour plus d'informations, reportez-vous à la section « Prévention du renversement du téléviseur » (page 20).

## Fixation au mur de l'enceinte et du téléviseur

Vous pouvez suspendre l'enceinte avec les modèles de téléviseurs suivants (non fournis) :

- KDL-40/46LX900, KDL-40NX800, KDL-40/46HX800, KDL-40/46EX700, KDL-46EX701, KDL-40/46NX700, KDL-40/46EX600

### Remarque

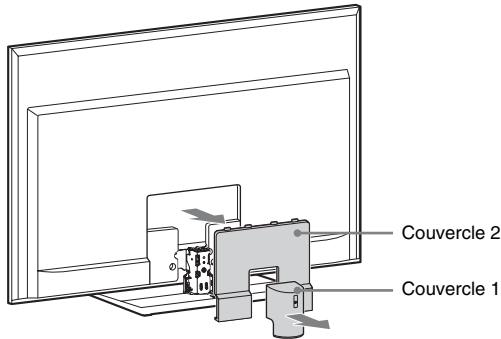
- Pour suspendre le téléviseur au mur, reportez-vous à son mode d'emploi.

## 1 Retirez les couvercles 1 et 2 de l'arrière du téléviseur.

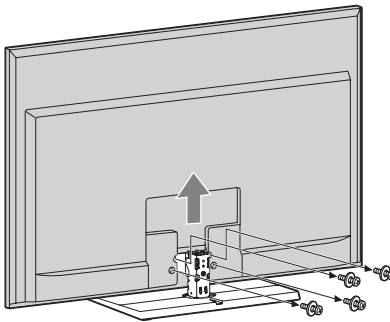
Pour plus d'informations sur le retrait des couvercles, reportez-vous au mode d'emploi du téléviseur.

### Remarque

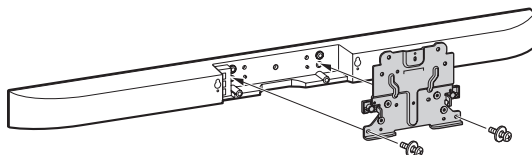
- Certains téléviseurs Sony ne possèdent pas le couvercle 2.



## 2 Retirez les vis du téléviseur, puis détachez le téléviseur du socle.



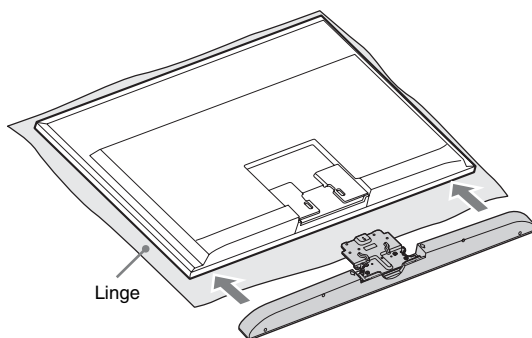
**3** Fixez l'enceinte au support d'extension à l'aide des grandes vis (+PSW5 x 16 mm) (fournies).



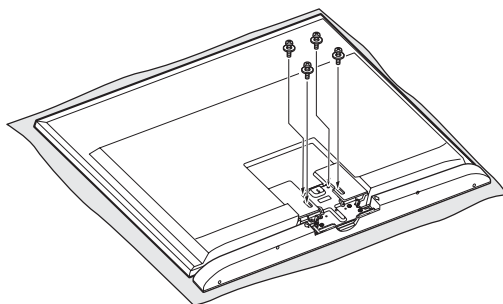
**4** Remettez le téléviseur en place.

**Remarque**

- Veillez à placer le téléviseur sur un linge doux et épais, écran vers le bas, afin d'éviter d'endommager la surface de l'écran LCD.



**5** Fixez le téléviseur à l'aide des vis retirées à l'étape 2.



**6** Fixez le téléviseur au mur.

Pour plus de détails sur la fixation du téléviseur au mur, reportez-vous à son mode d'emploi.

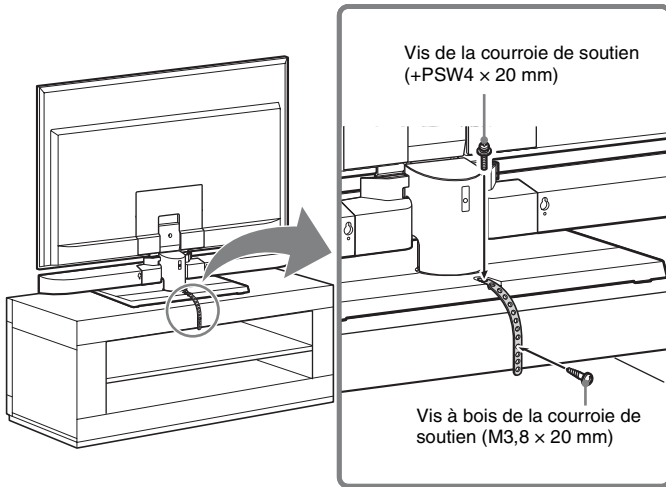
**Remarque**

- Lorsque vous accrochez le téléviseur sur lequel l'enceinte SS-CT350 est installée au mur ou que vous le retirez du mur, ne saisissez pas l'enceinte SS-CT350. Cela pourrait provoquer des dégâts ou des blessures.

## Prévention du renversement du téléviseur

Par mesure de protection, fixez le téléviseur. Si vous ne faites pas, le téléviseur risque de se renverser et de provoquer des blessures graves.

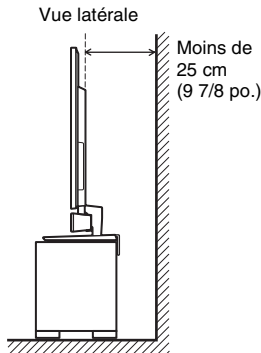
### En cas d'installation du téléviseur sur un meuble



- 1** Placez le téléviseur au centre du meuble.
- 2** Accrochez la courroie de soutien (fournie) au téléviseur, puis serrez convenablement la vis de la courroie de soutien (+PSW4 × 20 mm) (fournie) à l'aide d'un tournevis.
- 3** Fixez la courroie de soutien à l'armoire à l'aide de la vis à bois de la courroie de soutien (M3,8 × 20 mm) (fournie).

#### Remarques

- Veillez à ne pas vous coincer les doigts lorsque vous installez le téléviseur et le meuble.
- Installez le meuble en laissant un espace de moins de 25 cm (9 7/8 po.) par rapport au mur. Le mur empêche le téléviseur de tomber du meuble, même s'il penche en arrière vers le mur.

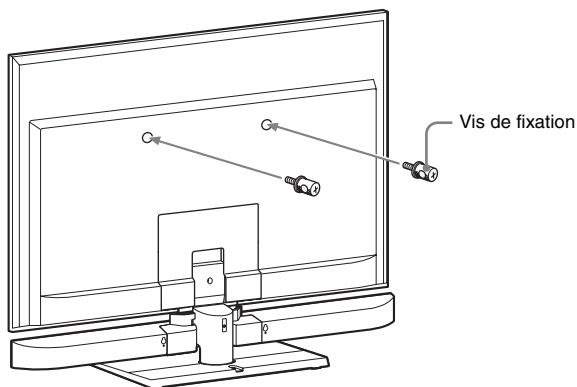




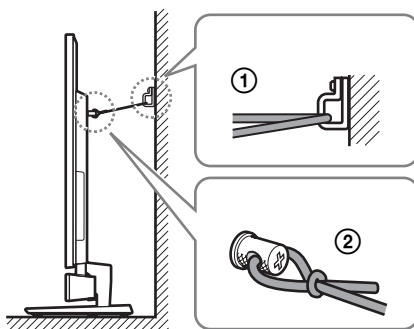
## En cas d'installation du téléviseur sur le sol à proximité d'un mur

Préparez une corde solide ou une chaîne (non fournies) et une fixation (non fournie) afin de fixer l'appareil au mur. Attachez la fixation à un mur renforcé.

- 1 Fixez les vis de fixation (fournies) à l'arrière du téléviseur.



- 2 Attachez l'attache au mur (①), puis faites passer la corde ou la chaîne à travers les trous des vis de fixation et de l'attache (②). Serrez convenablement les deux extrémités de la corde ou de la chaîne.



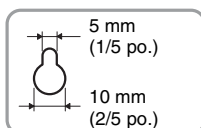
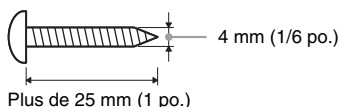
## Installation de l'enceinte au mur

Vous pouvez installer l'enceinte au mur.

### Remarques

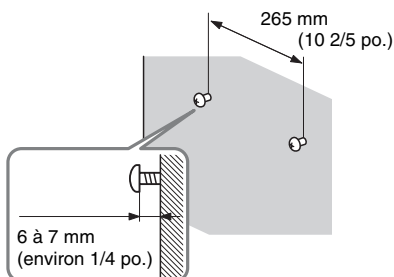
- Utilisez des vis adaptées au matériau et à la résistance du mur. Comme les plaques de plâtre sont particulièrement fragiles, fixez fermement les vis à une poutre du mur. Installez l'enceinte sur une partie verticale et plate du mur qui est renforcée.
- Veillez à confier l'installation à des revendeurs ou à des installateurs agréés Sony et portez une attention particulière aux consignes de sécurité pendant l'installation.
- Sony ne peut être tenu responsable de tout accident ou dégât entraîné par une installation incorrecte, une résistance insuffisante du mur, une mauvaise fixation des vis, une catastrophe naturelle, etc.

### 1 Préparez des vis (non fournies) adaptées aux orifices situés au dos de l'enceinte. Reportez-vous aux illustrations ci-dessous.



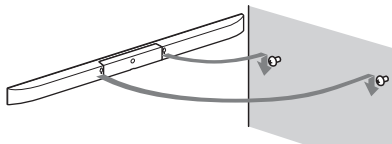
Orifice situé au dos de l'enceinte

### 2 Fixez les vis au mur. Les vis doivent dépasser de 6 à 7 mm (environ 1/4 po.).



### 3 Accrochez l'enceinte aux vis.

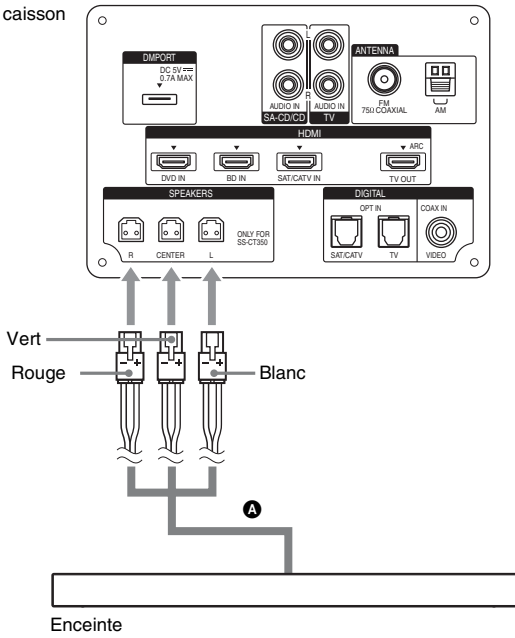
Alignez les orifices situés au dos de l'enceinte aux vis, puis suspendez l'enceinte aux deux vis.



# Raccordement de l'enceinte

Les connecteurs du cordon d'enceinte possèdent un code de couleur qui dépend du type d'enceinte. Raccordez les connecteurs du cordon d'enceinte aux prises SPEAKERS de couleur correspondante.

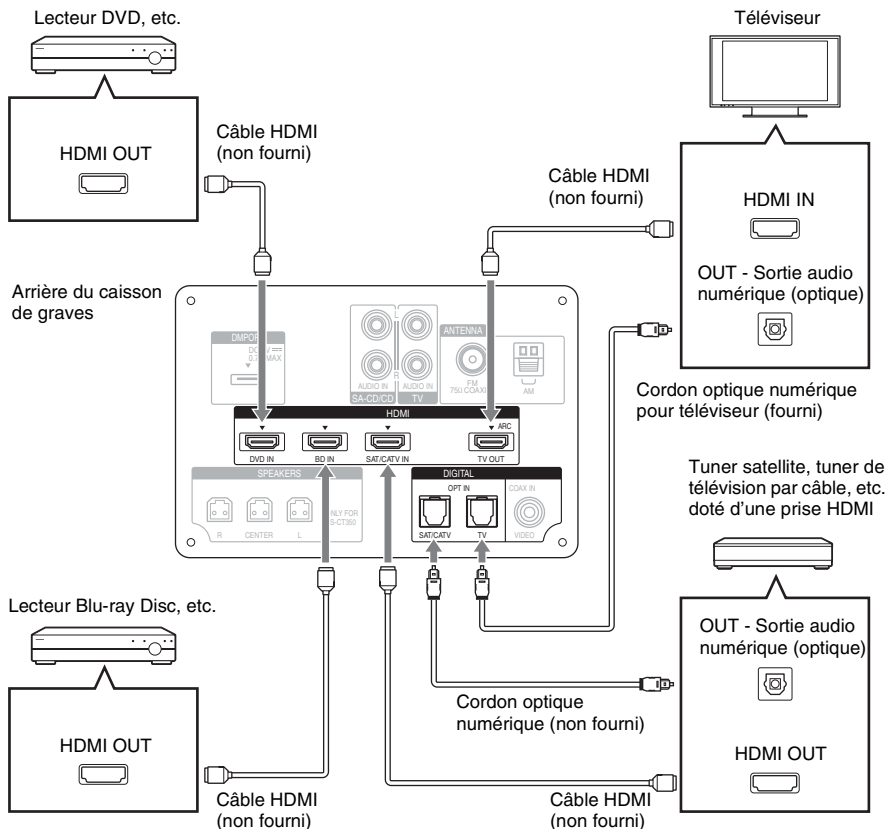
Arrière du caisson de graves



**A** Cordon d'enceinte (fourni)

## Raccordement du téléviseur, du lecteur, etc.

Raccordez le téléviseur et/ou le lecteur, etc. équipé de prises HDMI au socle à l'aide d'un câble HDMI. L'utilisation peut être simplifiée en raccordant des composants compatibles Sony « BRAVIA » Sync à l'aide de câbles HDMI et en réglant pour chacun d'eux la fonction Commande pour HDMI par l'intermédiaire du téléviseur. Consultez « Fonctionnalités de « BRAVIA » Sync » (page 40).



**Remarques**

- Ce système est compatible avec la fonction Audio Return Channel (ARC). Si vous raccordez le système à la prise HDMI du téléviseur compatible ARC à l'aide d'un câble HDMI, il n'est pas nécessaire de raccorder le téléviseur au système à l'aide du cordon optique numérique (page 45).
- Les lettres « ARC » sont indiquées à côté de la prise HDMI du téléviseur s'il est compatible avec la fonction ARC. Même si vous raccordez un câble HDMI à la prise, vous ne pouvez pas utiliser la fonction ARC si la prise d'entrée HDMI n'est pas compatible avec la fonction ARC.
- La fonction ARC est uniquement disponible si la fonction Commande pour HDMI est activée.
- Selon le tuner satellite, il se peut qu'un son multicanaux ne soit pas reproduit. Dans ce cas, raccordez un cordon optique numérique en plus d'un câble HDMI et réglez « INPUT MODE » sur « OPT » dans le menu AMP (page 53).
- Raccordez une « PlayStation 3 », etc. à une prise HDMI disponible. Toutes les prises HDMI du système fonctionnent de la même manière.
- Les raccordements aux prises HDMI ont la priorité lorsque vous connectez différents composants au système en utilisant les prises INPUT OPT/INPUT COAX et HDMI.
- Lors du raccordement d'un téléviseur qui ne dispose pas d'une prise de sortie audio optique numérique, connectez le téléviseur au système à l'aide d'un cordon audio analogique (non fourni).

**Conseil**

- Même si le système est éteint (mode veille active), le signal HDMI est transmis par le composant raccordé au téléviseur via la connexion HDMI. Vous pouvez bénéficier du son et de l'image du composant sur le téléviseur.

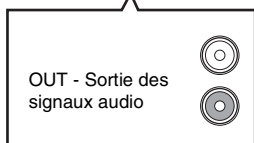
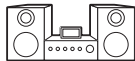
**Remarques sur les connexions HDMI**

- Utilisez un câble HDMI haute vitesse. Si vous utilisez un câble Standard HDMI, les images 1080p, Deep Color ou 3D risquent de ne pas s'afficher correctement.
- Sony recommande d'utiliser un câble agréé HDMI ou un câble HDMI Sony.
- Si la qualité d'image est médiocre ou si le son n'est pas reproduit par un composant raccordé à l'aide du câble HDMI, vérifiez la configuration de ce composant.
- Il se peut que les signaux audio (fréquence d'échantillonnage, longueur binaire, etc.) transmis par une prise HDMI soient supprimés par le composant raccordé.
- Le son peut être interrompu en cas de modification de la fréquence d'échantillonnage ou du nombre de canaux des signaux de sortie audio provenant du composant utilisé pour la lecture.
- Si le composant raccordé n'est pas compatible avec la technologie de protection des droits d'auteur (HDCP), l'image et/ou le son provenant de la prise HDMI TV OUT peuvent être déformés ou absents. Dans ce cas, vérifiez les caractéristiques du composant raccordé.
- Nous déconseillons d'utiliser un câble de conversion HDMI-DVI.
- Lorsque « TV », « DMPort », « SA-CD/CD », « VIDEO », « TUNER FM » ou « TUNER AM » est sélectionné comme source d'entrée du système, les signaux vidéo provenant de la dernière prise d'entrée HDMI (BD, DVD, SAT/CATV) sélectionnée sont reproduits à partir de la prise HDMI TV OUT.
- Ce système prend en charge les émissions Deep Color, « x.v.Color » et 3D.
- Pour profiter d'images 3D, raccordez un téléviseur compatible 3D et des composants vidéo (lecteur Blu-ray Disc, enregistreur Blu-ray Disc, « PlayStation 3 », etc.) au système à l'aide de câbles High Speed HDMI, mettez des lunettes 3D, puis activez la lecture d'un contenu compatible 3D.

## Raccordement d'autres composants

Lors du raccordement d'autres composants dépourvus de prise HDMI, tels qu'une « PlayStation 2 », un lecteur DVD, un tuner satellite, un tuner de télévision par câble, etc., réglez « CTRL HDMI » sur « OFF » dans le menu AMP du système (page 41).

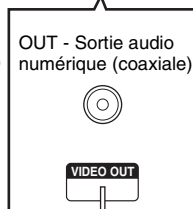
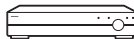
Autres composants audio, etc.



Cordon audio (non fourni)

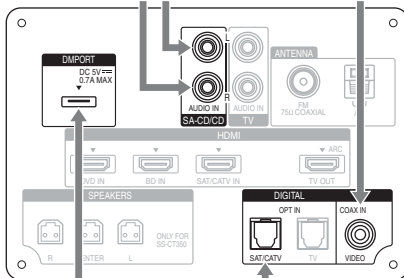
Cordon coaxial numérique (non fourni)

Lecteur DVD, etc.



Vers la prise VIDEO IN du téléviseur.

Arrière du caisson de graves

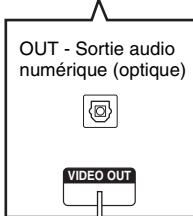
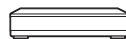


Adaptateur DIGITAL MEDIA PORT



Cordon optique numérique (non fourni)

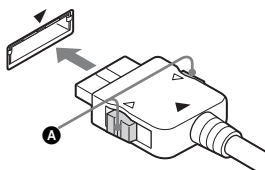
Tuner satellite, tuner de télévision par câble, etc. dépourvu de prise HDMI



Vers la prise VIDEO IN du téléviseur.

### Remarques

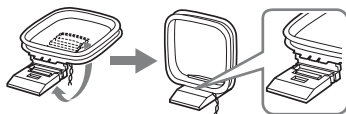
- Ne connectez/déconnectez pas l'adaptateur DIGITAL MEDIA PORT lorsque le système est sous tension.
- Si vous connectez l'adaptateur DIGITAL MEDIA PORT, veillez à ce que le connecteur soit inséré avec la flèche orientée vers celle de la prise DMPORT. Pour retirer l'adaptateur DIGITAL MEDIA PORT, maintenez enfoncé **A**, puis tirez sur le connecteur pour l'extraire.



## Raccordement de l'antenne cadre AM

La forme et la longueur de l'antenne sont conçues pour la réception des signaux AM. Ne démontez pas et ne roulez pas l'antenne.

- 1 Retirez seulement le cadre du socle en plastique.**
- 2 Redressez l'antenne cadre AM.**

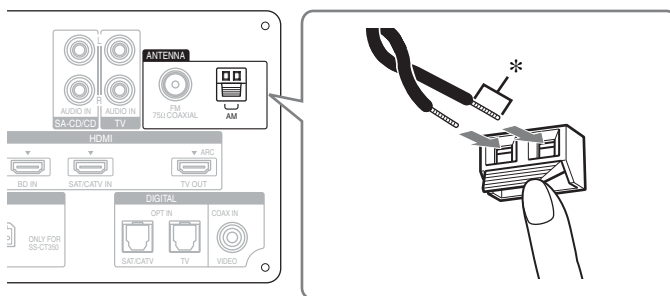


- 3 Raccordez les cordons aux bornes d'antenne AM.**

Insérez la partie (\*) des cordons en appuyant sur la patte de la borne.

Les cordons peuvent être raccordés à l'une ou l'autre borne.

Arrière du caisson  
de graves



### Remarque

- Ne placez pas l'antenne cadre AM à proximité du système ou d'un autre composant audio-vidéo, car cela pourrait provoquer des parasites.

### Conseil

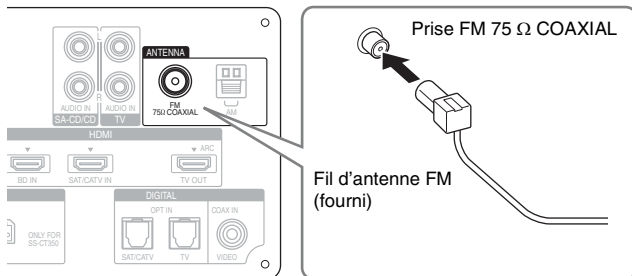
- Réglez l'orientation de l'antenne cadre AM pour obtenir un son AM optimal.

- 4 Assurez-vous que l'antenne cadre AM est solidement raccordée, en tirant légèrement le cordon.**

## Raccordement du fil d'antenne FM

Raccordez le fil d'antenne FM à la prise FM 75 Ω COAXIAL.

Arrière du caisson  
de graves



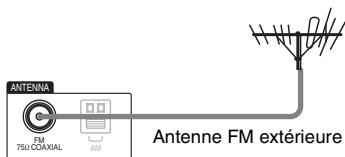
### Remarques

- Veillez à déployer entièrement le fil d'antenne FM.
- Après connexion du fil d'antenne FM, gardez-le aussi horizontalement que possible.
- N'utilisez pas le fil d'antenne FM sans le déplier au préalable.
- Insérez complètement et fermement le fil d'antenne FM dans la borne.

### Conseil

- Si la réception FM laisse à désirer, utilisez un câble coaxial de 75 ohms (non fourni) pour raccorder le caisson de graves à une antenne FM extérieure comme illustré ci-dessous.

Arrière du caisson  
de graves



## Raccordement du cordon d'alimentation

Avant de raccorder le cordon d'alimentation du système à une prise murale, raccordez tous les autres composants et le téléviseur au système.

### Remarques

- Une fois le cordon d'alimentation connecté, attendez environ 20 secondes avant de mettre l'appareil sous tension en appuyant sur I/⏻.
- Raccordez le système à une prise secteur aisément accessible. Si vous remarquez une anomalie dans le système, débranchez immédiatement la fiche principale de la prise secteur.

## Réglage de sortie du son du composant raccordé

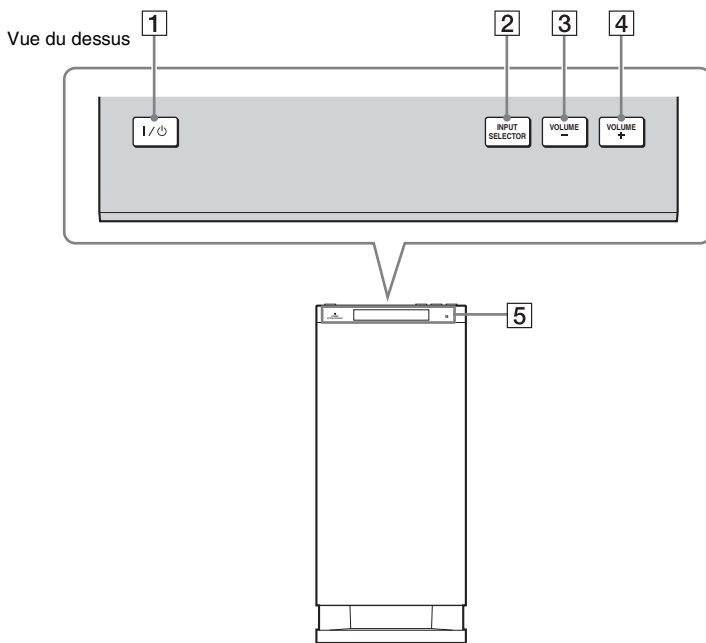
Pour profiter du son au format multicanaux (DTS, Dolby Digital, LPCM multicanaux), vous devez ajuster les réglages de sortie audio du composant raccordé. Réglez le composant raccordé afin qu'il reproduise le son au format multicanaux. Pour plus de détails sur les différents paramètres de sortie, reportez-vous au mode d'emploi fourni avec le composant raccordé.



# Index des composants et des commandes

Pour plus de détails, voir les pages indiquées entre parenthèses.

## Caisson de graves



**1** I/O (marche/veille)

**2** INPUT SELECTOR

Appuyez sur cette touche pour sélectionner la source d'entrée à lire.

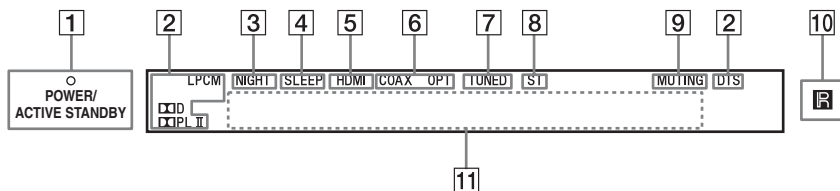
A chaque appui de la touche, la source d'entrée change de manière cyclique comme suit : TV → BD → DVD → SAT/CATV → VIDEO → SA-CD/CD → TUNER FM → TUNER AM → DMPORT → TV.....

**3** VOLUME -

**4** VOLUME +

**5** Affichage du panneau frontal

## Affichage du panneau frontal (caisson de graves)



### 1 **Témoin POWER/ACTIVE STANDBY**

S'allume de la manière suivante :

Vert : Le système est sous tension.

Orange : Seules les parties HDMI du meuble sont activées (la fonction Commande pour HDMI est activée).

Eteint : Le système est hors tension.

#### **Remarque**

- Le témoin orange s'éteint 30 secondes après la mise hors tension du téléviseur. Toutefois, si vous réglez « PASS THRU » sur « ON » dans le menu AMP, le témoin reste orange même si vous mettez le téléviseur hors tension.

### 2 **Témoins du format audio**

S'allument conformément au format audio décodé de l'entrée actuelle du système.

D : Dolby Digital

PLII : Dolby Pro Logic II

LPCM : PCM linéaire

DTS

### 3 **NIGHT (page 53)**

S'allume lorsque NIGHT MODE est sélectionné.

### 4 **SLEEP (page 54)**

Clignote quand la minuterie d'endormissement est activée.

### 5 **HDMI (page 24)**

S'allume lorsque des composants HDMI sont utilisés ou lorsque l'entrée du système est un signal ARC alors que le téléviseur est sélectionné comme source d'entrée.

### 6 **COAX/OPT**

S'allume en fonction du câble que vous utilisez.

### 7 **TUNED (page 35)**

S'allume lorsqu'une station est réglée.

### 8 **ST (page 35)**

S'allume lorsqu'un programme stéréo est capté.

### 9 **MUTING**

S'allume lorsque le son est désactivé.

### 10 **Capteur de télécommande**

### 11 **Zone d'affichage des messages**

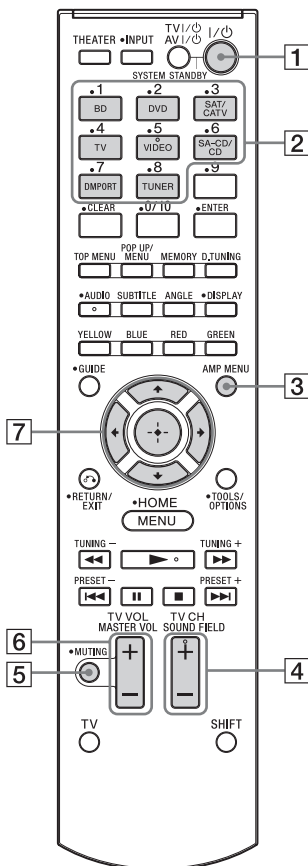
Affiche le volume, la source d'entrée sélectionnée, le signal d'entrée audio, etc.

## Télécommande

Cette section décrit le fonctionnement des touches du caisson de graves et des enceintes. Pour plus de détails sur le fonctionnement des touches des composants raccordés, reportez-vous à la page 46.

### Remarque

- Dirigez la télécommande vers le capteur de télécommande (R) du caisson de graves.



- 2 Touches de sélection d'entrée**  
Appuyez sur une des touches pour sélectionner le composant que vous souhaitez utiliser.

- 3 AMP MENU (page 51)**

- 4 SOUND FIELD +/- (page 39)**

- 5 MUTING**

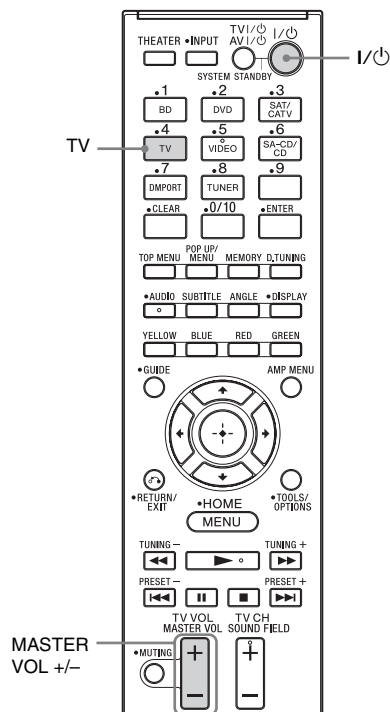
- 6 MASTER VOL +/-**

Appuyez pour régler le volume.

- 7 ←, ↑, ↓, → ou (+)**

Appuyez sur ←, ↑, ↓ ou → pour sélectionner les options de menu. Ensuite, appuyez sur (+) pour valider la sélection.

## Regarder la télévision



- \* Les touches 5, ►, AUDIO et SOUND FIELD + possèdent un point tactile qui vous servira de guide lors de l'utilisation.

- 1 I/⏻ (marche/veille)**

# 1 Mettez le téléviseur sous tension et choisissez un programme.

Pour plus de détails, reportez-vous au mode d'emploi de votre téléviseur.

# 2 Mettez le système sous tension.

# 3 Appuyez sur la touche TV de la télécommande.

# 4 Réglez le volume en appuyant sur MASTER VOL +/-.

### Conseil

- Il se peut que le son soit reproduit par le haut-parleur du téléviseur. Dans ce cas, réduisez le volume de ce dernier au minimum.

## Si vous utilisez « BRAVIA » Sync (Commande du son du système)

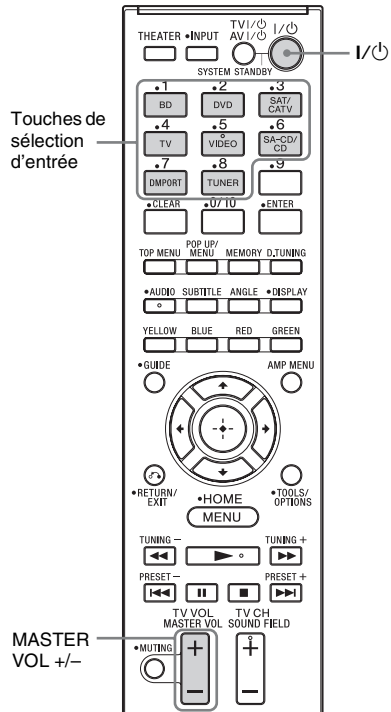
Vous n'avez pas besoin d'exécuter les étapes 2 et 3 ci-dessus. Lorsque vous mettez le téléviseur sous tension, le système se met également sous tension et la source d'entrée change automatiquement. Vous pouvez aussi régler le volume du système à l'aide de la télécommande du téléviseur. Si vous mettez le système hors tension, le son est reproduit par le haut-parleur du téléviseur.

Pour plus d'informations sur le réglage de « BRAVIA » Sync, reportez-vous à la section « Préparation de « BRAVIA » Sync » (page 40).

### Conseil

- Le système ne se met pas sous tension en même temps que le téléviseur si le son était reproduit par les haut-parleurs du téléviseur la dernière fois que vous avez mis celui-ci hors tension.

## Utilisation d'autres composants



Touches de sélection d'entrée

MASTER VOL +/-

# 1 Mettez en mode de lecture le composant raccordé.

# 2 Mettez le système sous tension.

### 3 Appuyez plusieurs fois sur les touches de sélection d'entrée pour que la source d'entrée apparaisse sur l'affichage du panneau frontal.

Source d'entrée	Composant reconnu
TV	Téléviseur, etc. raccordé à la prise TV
BD	Lecteur Blu-ray Disc, etc. raccordé à la prise BD
DVD	Lecteur DVD, etc. raccordé à la prise DVD
SAT/CATV	Tuner satellite, tuner télévision par câble, etc. raccordé à la prise SAT/CATV
VIDEO	Lecteur DVD, etc. raccordé à la prise DIGITAL COAX IN VIDEO
SA-CD/CD	Lecteur CD, etc. raccordé à la prise SA-CD/CD AUDIO IN
TUNER FM*	Radio FM intégrée
TUNER AM*	Radio AM intégrée
DMPORT	Lecteur audio portable, etc. raccordé à la prise DMPORT

\* Appuyez plusieurs fois sur TUNER pour basculer entre TUNER FM et TUNER AM.

### 4 Pour les composants vidéo, remplacez l'entrée du téléviseur par l'entrée HDMI que vous avez choisie à l'étape 3.

Pour plus de détails, reportez-vous au mode d'emploi du téléviseur.

### 5 Réglez le volume en appuyant sur MASTER VOL +/-.

#### Conseils

- Il se peut que le son soit reproduit par le haut-parleur du téléviseur. Dans ce cas, réduisez le volume de ce dernier au minimum.
- Même si vous lisez une source Dolby True HD, Dolby Digital Plus ou DTS HD avec un composant raccordé compatible avec ces formats audio, le système accepte les signaux en tant que Dolby Digital ou DTS. Lorsque vous lisez ces formats audio haute qualité, réglez le composant raccordé afin qu'il émette si possible le son au format PCM multicanaux.

#### Remarques

- Lorsque vous connectez la prise de sortie vidéo de l'adaptateur DIGITAL MEDIA PORT à la prise d'entrée vidéo du téléviseur, réglez « CTRL HDMI » sur « OFF » dans le menu AMP du système (page 41). Les images d'un composant raccordé à l'adaptateur DIGITAL MEDIA PORT ne seront pas affichées sur le téléviseur si « CTRL HDMI » est réglé sur « ON ».
- Pour bénéficier du son d'un composant sans en afficher les images lorsque « CTRL HDMI » est réglé sur « ON », mettez tout d'abord le téléviseur hors tension, puis réinitialisez l'alimentation du système. Si vous mettez ce système sous tension pour la première fois, puis mettez le téléviseur sous tension, tous les composants raccordés au téléviseur seront mis hors tension en raison de la fonction Commande pour HDMI.

### Si vous utilisez « BRAVIA » Sync (Lecture une touche)

Vous n'avez pas besoin d'exécuter les étapes 2 à 4 ci-dessus. Lorsque vous mettez les composants raccordés sous tension, le système et le téléviseur se mettent également sous tension et la source d'entrée change automatiquement. Vous pouvez aussi régler le volume du système à l'aide de la télécommande du téléviseur.

Pour plus d'informations sur le réglage de « BRAVIA » Sync, reportez-vous à la section « Préparation de « BRAVIA » Sync » (page 40).

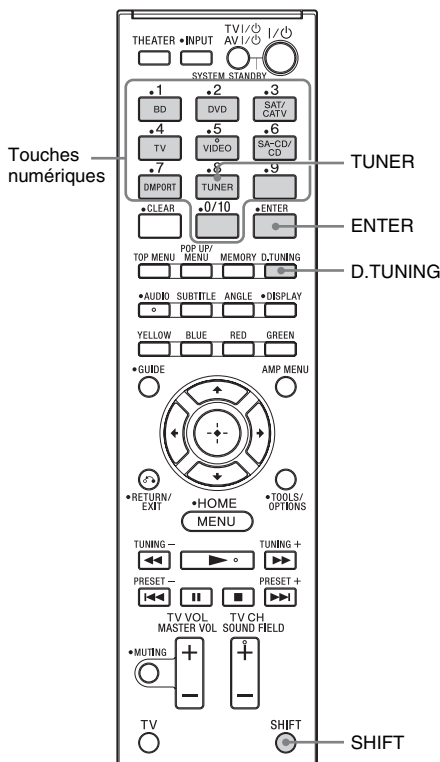
#### Conseil

- Le système ne se met pas sous tension en même temps que le téléviseur si le son était reproduit par les haut-parleurs du téléviseur la dernière fois que vous avez mis celui-ci hors tension.

## Fonctions du tuner

### Syntonisation directe

Vous pouvez entrer directement la fréquence d'une station à l'aide des touches numériques.



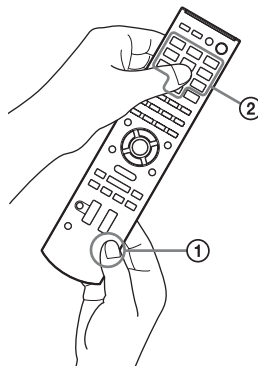
**1** Appuyez plusieurs fois sur **TUNER** jusqu'à ce que « **TUNER FM** » ou « **TUNER AM** » apparaisse dans l'affichage du panneau frontal.

**2** Appuyez sur **D.TUNING**.

**3** Tout en maintenant la touche **SHIFT** (①) enfoncée, appuyez sur les touches numériques (②) pour entrer la fréquence.

Exemple : 88,00 MHz.

Tout en maintenant la touche **SHIFT** enfoncée, sélectionnez 8 → 8 → 0 → 0.



**4** Tout en maintenant la touche **SHIFT** enfoncée, appuyez sur **ENTER**.

#### Conseil

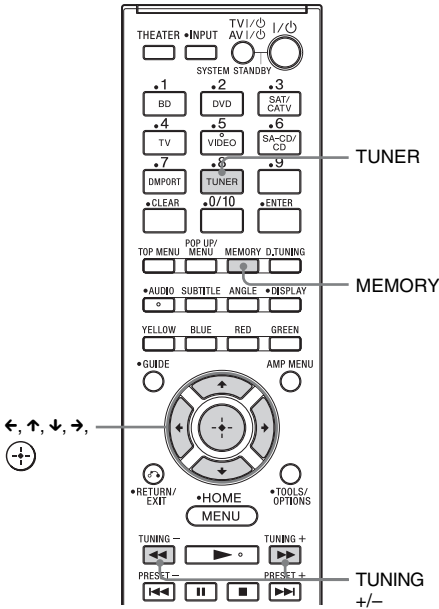
- Si vous avez syntonisé une station AM, réglez l'orientation de l'antenne cadre AM afin d'obtenir une réception optimale.

### Si vous ne pouvez pas syntoniser une station

Vérifiez si vous avez entré la fréquence correcte. Dans le cas contraire, répétez les étapes 2 à 4. Si vous ne parvenez toujours pas à syntoniser une station, il est probable que la fréquence ne soit pas utilisée dans votre région.

# Présélection de stations radio

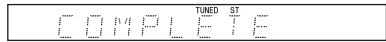
Vous pouvez présélectionner 20 stations FM et 10 stations AM. Avant de procéder au réglage, veillez à régler le volume sur le minimum.



- 1 Appuyez plusieurs fois sur TUNER jusqu'à ce que « TUNER FM » ou « TUNER AM » apparaisse dans l'affichage du panneau frontal.**
- 2 Maintenez enfoncée TUNING +/- jusqu'à ce que le balayage automatique débute.**  
Le balayage s'arrête dès que le système se règle sur une station. « TUNED » et « ST » (pour un programme stéréo FM) s'allument sur l'affichage du panneau frontal.
- 3 Appuyez sur MEMORY.**  
Un numéro prédéfini apparaît dans l'affichage du panneau frontal.
- 4 Appuyez sur ↑/↓ pour sélectionner le numéro prédéfini de votre choix.**

## 5 Appuyez sur .

« COMPLETE » apparaît dans l'affichage du panneau frontal et la station est enregistrée.



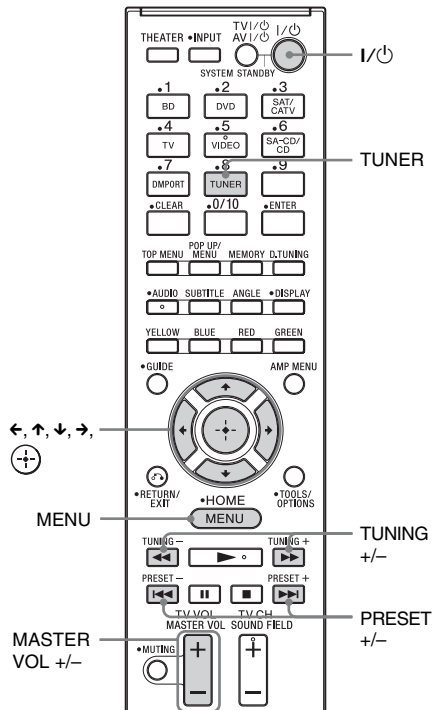
## 6 Répétez les étapes 2 à 5 pour enregistrer d'autres stations.

### Pour modifier le numéro prédéfini

Recommencez à partir de l'étape 3.

## Ecoute de la radio

Commencez par présélectionner des stations radio dans la mémoire du système (voir « Présélection de stations radio » (page 35)).



**1 Appuyez plusieurs fois sur TUNER jusqu'à ce que « TUNER FM » ou « TUNER AM » apparaisse dans l'affichage du panneau frontal.**

La dernière station reçue est réglée.

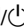
**2 Appuyez plusieurs fois sur PRESET +/- pour sélectionner la station présélectionnée.**

Chaque fois que vous appuyez sur la touche, le système se règle sur une station prédéfinie.

Vous pouvez sélectionner directement le numéro prédéfini en appuyant sur les touches numériques tout en maintenant la touche SHIFT enfoncée.

**3 Réglez le volume en appuyant sur MASTER VOL +/-.**

### **Pour mettre le radio hors tension**

Appuyez sur  pour mettre le système hors tension ou passer à une autre fonction.

### **Pour écouter des stations radio non présélectionnées**

Utilisez le réglage manuel ou automatique à l'étape 2.

Pour une syntonisation manuelle, reportez-vous à la section « Syntonisation directe » (page 34).




Pour le réglage automatique, maintenez TUNING +/- enfoncée. Le balayage automatique s'arrête lorsque le système se règle sur une station. Pour arrêter le réglage automatique lorsque le réglage automatique est en cours, appuyez sur TUNING +/-.


### **Si un programme FM présente des parasites**

Si un programme FM présente des parasites, vous pouvez sélectionner la réception mono.

Vous ne bénéficierez d'aucun effet stéréo, mais la réception s'améliorera.

**1 Appuyez sur MENU.**

**2 Appuyez plusieurs fois sur  jusqu'à ce que « FM MODE » apparaisse dans l'affichage du panneau frontal, puis appuyez sur  ou .**

**3 Appuyez sur  pour sélectionner « MONO ».**

- STEREO : Réception stéréo.
- MONO : Réception mono.

**4 Appuyez sur .**

Le réglage est effectué.

**5 Appuyez sur MENU.**

#### **Conseil**

- Pour améliorer la réception, réorientez le fil d'antenne FM (fourmi).

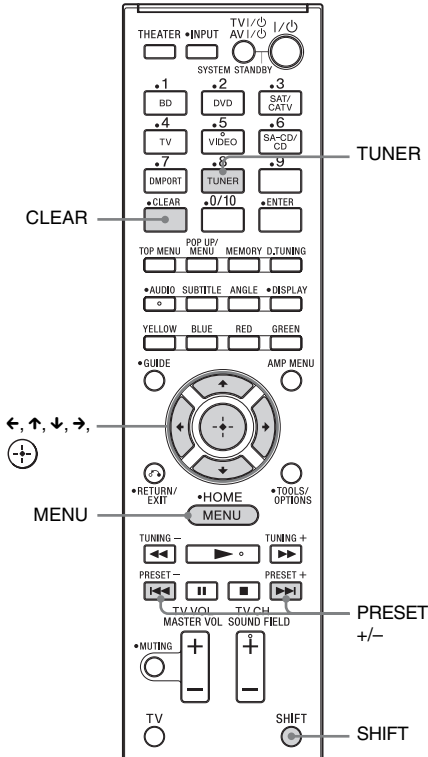


# Attribution de noms aux stations prédéfinies

Vous pouvez saisir un nom pour les stations prédéfinies. Ces noms (par exemple « XYZ ») apparaissent dans l'affichage du panneau frontal lorsqu'une station est sélectionnée.

Vous pouvez entrer un nom de 10 caractères maximum.

Veuillez noter qu'un seul nom peut être saisi pour chaque station prédéfinie.



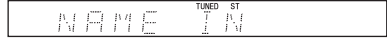
- 1 Appuyez plusieurs fois sur TUNER jusqu'à ce que « TUNER FM » ou « TUNER AM » apparaisse dans l'affichage du panneau frontal.

La dernière station reçue est réglée.

- 2 Appuyez plusieurs fois sur PRESET +/- pour sélectionner la station prédéfinie pour laquelle vous souhaitez créer un nom.

- 3 Appuyez sur MENU.

- 4 Appuyez plusieurs fois sur ↑/↓ jusqu'à ce que « NAME IN » apparaisse dans l'affichage du panneau frontal.



- 5 Appuyez sur Ⓢ.

- 6 Créez un nom en utilisant ←/↑/↓/→.

Appuyez sur ↑/↓ pour sélectionner un caractère, puis appuyez sur → pour déplacer le curseur jusqu'à la position suivante.

Des lettres, des chiffres et d'autres symboles peuvent être saisis pour un nom de station radio.

## Si vous saisissez un caractère erroné

Appuyez plusieurs fois sur ←/→ jusqu'à ce que le caractère à modifier clignote, puis appuyez sur ↑/↓ pour sélectionner le caractère souhaité.

Pour supprimer le caractère, appuyez sur ←/→ à plusieurs reprises jusqu'à ce que le caractère à supprimer clignote, puis appuyez sur CLEAR tout en maintenant la touche SHIFT enfoncée.

- 7 Appuyez sur Ⓢ.

« COMPLETE » apparaît dans l'affichage du panneau frontal et le nom de la station est enregistré.



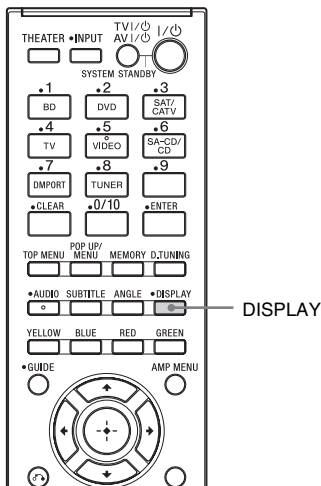
- 8 Appuyez sur MENU.

### Conseil

- Vous pouvez vérifier la fréquence dans l'affichage du panneau frontal en appuyant plusieurs fois sur DISPLAY.

## Affichage de la fréquence ou du nom de la station dans l'affichage du panneau frontal

Si le système est réglé sur « TUNER FM » ou « TUNER AM », vous pouvez vérifier la fréquence à l'aide de l'affichage du panneau frontal.



### Appuyez sur DISPLAY.

Chaque fois que vous appuyez sur DISPLAY, le nom de la station et la fréquence alternent dans l'affichage du panneau frontal.

#### Conseils

- Le nom de la station est affiché si vous avez saisi un nom pour une station prédéfinie.
- Après quelques secondes, l'affichage du panneau frontal bascule entre la fréquence et le nom de la station.

## Modification de l'intervalle de syntonisation AM

L'intervalle de syntonisation AM peut être réglé sur 10 kHz ou sur 9 kHz.

- 1** Ecoutez une émission AM.
- 2** Appuyez sur I/⏻. Le système passe en mode veille.
- 3** Tout en maintenant enfoncée la touche INPUT SELECTOR, appuyez sur la touche I/⏻ du caisson de graves.

L'intervalle est remplacé par celui qui apparaît sur l'affichage du panneau frontal : « AM 9K STEP » ou « AM10K STEP ». Si vous souhaitez rétablir l'intervalle précédent, exécutez à nouveau les étapes 1 à 3.

#### Remarque

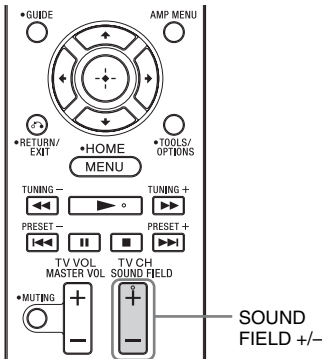
- Si vous modifiez l'intervalle, toutes les stations AM présélectionnées sont effacées.

## Fonction Surround

# Reproduction de l'effet surround

## Sélection du champ acoustique

Ce système peut créer le son surround multicanaux. Vous pouvez sélectionner un des champs acoustiques préprogrammés et optimisés du système.



### Appuyez sur SOUND FIELD +/-.

Le champ acoustique en cours apparaît dans l'affichage du panneau frontal.



A chaque pression sur la touche SOUND FIELD +/-, l'affichage change de manière cyclique dans l'ordre suivant :

STANDARD ↔ MOVIE ↔ DRAMA ↔  
NEWS ↔ SPORTS ↔ GAME ↔ MUSIC  
↔ 2CH STEREO ↔ P.AUDIO ↔  
STANDARD ...

## Champs acoustiques disponibles

Champ acoustique	Effet
STANDARD*	Convient à diverses sources.
MOVIE*	Recrée un son puissant et réaliste, associé à un dialogue clair.
DRAMA*	Convient aux pièces de théâtre télévisées.
NEWS*	Reproduit clairement la voix du commentateur.
SPORTS*	Reproduit le son réaliste et clair des commentaires de suivi avec des effets surround tels que les acclamations, etc.
GAME*	Reproduit le son puissant et réaliste adapté aux jeux vidéo.
MUSIC*	Convient aux programmes musicaux ou aux vidéos musicales des Blu-ray Disc/DVD.
2CH STEREO	Convient aux CD musicaux.
P.AUDIO**	Idéal pour écouter une source audio portable.

\* Ces champs acoustiques ne sont pas disponibles lorsque « DMPORT » est sélectionné en appuyant sur INPUT SELECTOR.

\*\* « P.AUDIO » n'apparaît que si « DMPORT » est sélectionné.

### Conseils

- Vous pouvez définir un champ acoustique différent pour chaque source d'entrée.
- Le réglage par défaut du champ acoustique de « DMPORT » est « P.AUDIO ». Pour les autres sources, il s'agit de « STANDARD ».
- Lorsque « DMPORT » est sélectionné en appuyant sur INPUT SELECTOR, l'enceinte centrale ne reproduit aucun son.
- Certaines enceintes ne reproduisent aucun son, en fonction du signal d'entrée. C'est notamment le cas avec les programmes en mono.
- Lorsque « 2CH STEREO » ou « P.AUDIO » est sélectionné, l'enceinte centrale ne reproduit aucun son.
- Si vous appuyez sur la touche THEATER de la télécommande d'un téléviseur Sony alors que « CTRL HDMI » est réglé sur « ON », le champ acoustique devient « MOVIE » (cela ne s'applique cependant pas à certains téléviseurs Sony).

## Fonctionnalités de « BRAVIA » Sync

### Qu'est-ce que « BRAVIA » Sync ?

En connectant des composants Sony compatibles avec « BRAVIA » Sync à l'aide d'un câble HDMI (non fourni), le fonctionnement est simplifié comme expliqué ci-dessous :

- Lecture une touche (page 42)
- Commande du son du système (page 42)
- Mise hors tension du système (page 43)

« BRAVIA » Sync est compatible avec les téléviseurs, les lecteurs Blu-Ray Disc/DVD, les amplificateurs AV, etc. de marque Sony dotés de la fonction Commande pour HDMI.

CONTROL FOR HDMI est une norme de fonction de contrôle mutuel utilisée par CEC (Consumer Electronics Control) pour HDMI (High-Definition Multimedia Interface).

### La fonction Commande pour HDMI ne fonctionne pas correctement dans les cas suivants :

- Lorsque vous connectez le système à des composants qui ne correspondent pas à la fonction Commande pour HDMI.
- Lorsque vous raccordez le système et les composants à l'aide d'une connexion différente de la connexion HDMI.
- Lorsque vous raccordez des composants non Sony compatibles avec la fonction Commande pour HDMI.

Il est recommandé de connecter à ce système des produits présentant « BRAVIA » Sync.

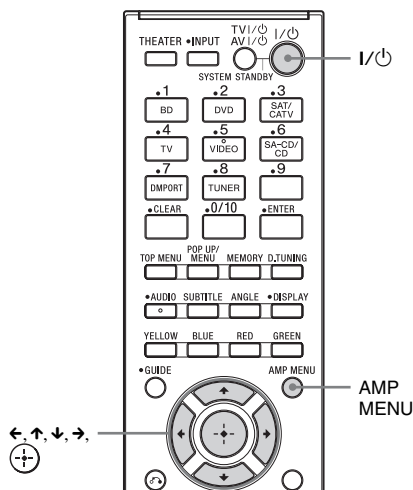
#### Remarque

- En fonction des composants raccordés, la fonction Commande pour HDMI peut ne pas fonctionner. Reportez-vous au mode d'emploi des composants.

## Préparation de « BRAVIA » Sync

Pour utiliser « BRAVIA » Sync, activez la fonction Commande pour HDMI des composants raccordés.

Lorsque vous raccordez un téléviseur Sony doté de la fonction Commande pour HDMI, il est possible d'activer automatiquement la fonction Commande pour HDMI du système et des composants raccordés en sélectionnant la fonction Commande pour HDMI du téléviseur.



- 1** Veillez à ce que le système soit connecté au téléviseur et aux composants raccordés à l'aide de câbles HDMI (non fournis).
- 2** Mettez sous tension le système, le téléviseur et les composants raccordés.
- 3** Sélectionnez l'entrée du système et l'entrée HDMI du téléviseur (SAT/CATV, DVD, BD) afin qu'une image du composant raccordé soit affichée.

#### 4 Affichez la liste des composants HDMI sur le menu du téléviseur, puis activez la fonction **Commande pour HDMI pour les composants raccordés**.

La fonction Commande pour HDMI du système et des composants raccordés est simultanément activée.

Une fois le réglage terminé, « COMPLETE » apparaît dans l'affichage du panneau frontal.

##### Remarque

- Pour plus de détails sur le réglage du téléviseur et des composants raccordés, reportez-vous aux modes d'emploi de ceux-ci.

#### Si « COMPLETE » n'apparaît pas après exécution des étapes ci-dessus

Activez séparément la fonction Commande pour HDMI du système et du composant raccordé.

- 1 Appuyez sur AMP MENU.
- 2 Appuyez plusieurs fois sur  $\uparrow/\downarrow$  jusqu'à ce que « SET HDMI » apparaisse, puis appuyez sur  $\oplus$  ou  $\rightarrow$ .
- 3 Appuyez plusieurs fois sur  $\uparrow/\downarrow$  jusqu'à ce que « CTRL HDMI » apparaisse, puis appuyez sur  $\oplus$  ou  $\rightarrow$ .
- 4 Appuyez sur  $\uparrow/\downarrow$  pour sélectionner « ON ».
- 5 Appuyez sur AMP MENU.  
Le menu AMP est désactivé. La fonction Commande pour HDMI est activée.
- 6 Sélectionnez l'entrée du système connectée au composant pour lequel vous souhaitez utiliser la fonction Commande pour HDMI (SAT/CATV, DVD, BD).
- 7 Activez la fonction Commande pour HDMI du composant raccordé.

Pour plus de détails sur le réglage du composant raccordé, reportez-vous au mode d'emploi de celui-ci.

#### Si vous ajoutez ou reconnectez un composant

Exécutez à nouveau les étapes de « Préparation de « BRAVIA » Sync » (page 40) et « Si « COMPLETE » n'apparaît pas après exécution des étapes ci-dessus ».

##### Remarques

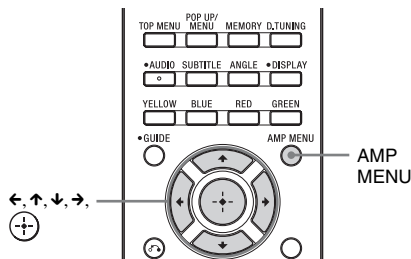
- Si la fonction Commande pour HDMI pour composant raccordé ne peut pas être définie simultanément lors du réglage « CONTROL FOR HDMI » du téléviseur, réglez la fonction Commande pour HDMI à l'aide du menu du composant raccordé.
- Pour plus de détails sur le réglage du téléviseur et des composants raccordés, reportez-vous aux modes d'emploi de ceux-ci.

##### Conseil

- Par défaut, la fonction Commande pour HDMI du système est réglée sur « ON ».

#### Désactivation de la fonction Commande pour HDMI

Désactivez la fonction Commande pour HDMI lorsque vous connectez des composants non compatibles avec « BRAVIA » Sync, ou qui ne disposent pas de prises HDMI, etc.



- 1 Appuyez sur AMP MENU.
- 2 Appuyez plusieurs fois sur  $\uparrow/\downarrow$  jusqu'à ce que « SET HDMI » apparaisse, puis appuyez sur  $\oplus$  ou  $\rightarrow$ .
- 3 Appuyez sur  $\uparrow/\downarrow$  pour sélectionner « CTRL HDMI », puis appuyez sur  $\oplus$  ou  $\rightarrow$ .
- 4 Appuyez sur  $\uparrow/\downarrow$  pour sélectionner « OFF ».

## 5 Appuyez sur AMP MENU.

Le menu AMP est désactivé.

## Utilisation de Blu-ray Disc/ DVD

*(Lecture une touche)*

**Lisez un composant raccordé.**

Le téléviseur est automatiquement mis sous tension et bascule sur l'entrée HDMI appropriée.

### Conseil

- Même si le système est éteint (mode veille active), le signal HDMI est transmis par le composant raccordé au téléviseur via la connexion HDMI. Vous pouvez bénéficier du son et de l'image du composant sur le téléviseur.

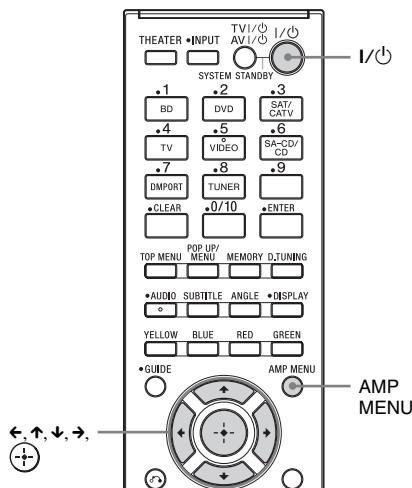
### Remarque

- Selon le téléviseur, il est possible que le début du contenu ne soit pas reproduit.

## Reproduction du son du téléviseur à partir du système

*(Commande du son du système)*

Une simple opération permet d'écouter le son du téléviseur par l'intermédiaire des enceintes du système. Vous pouvez également régler le volume et couper le son du système à l'aide de la télécommande du téléviseur. Pour plus de détails, reportez-vous au mode d'emploi du téléviseur.



**Appuyez sur I/O pour mettre le système sous tension.**

Le son est reproduit par les enceintes du système. Le son est à nouveau reproduit par le haut-parleur du téléviseur lorsque vous mettez le système hors tension.

### Remarques

- Lorsque le téléviseur est mis sous tension avant le système, quelques instants s'écoulent avant que vous entendiez le son du téléviseur.
- Selon le téléviseur, lorsque vous réglez le volume du système à l'aide de la télécommande du téléviseur, le niveau du volume apparaît sur l'écran du téléviseur, exactement comme lorsque vous réglez le volume du téléviseur. Dans ce cas, le niveau du volume affiché sur l'écran du téléviseur peut être différent de celui qui apparaît sur l'affichage du panneau frontal du système.

## Utilisation de la fonction de Limitation du volume

Lorsque la fonction Commande du son du système est active et que le mode de sortie passe automatiquement du haut-parleur du téléviseur aux enceintes du système, un son puissant peut être reproduit selon le niveau de volume du système. Vous pouvez empêcher ceci en limitant le niveau de volume.

- 1 Appuyez sur AMP MENU.
- 2 Appuyez plusieurs fois sur ↑/↓ jusqu'à ce que « SET HDMI » apparaisse, puis appuyez sur + ou →.
- 3 Appuyez plusieurs fois sur ↑/↓ jusqu'à ce que « VOL LIMIT » apparaisse, puis appuyez sur + ou →.
- 4 Appuyez sur ↑/↓ pour sélectionner la limite de volume souhaitée.

La limite de volume change comme suit :

MAX ↔ 49 ↔ 48 ... 2 ↔ 1 ↔ MIN

- 5 Appuyez sur AMP MENU.

Le menu AMP est désactivé.

### Remarques

- Cette fonction est uniquement disponible si la fonction Commande pour HDMI est activée.
- Cette fonction n'est pas disponible si le mode de sortie passe des enceintes du système au haut-parleur du téléviseur.

### Conseils

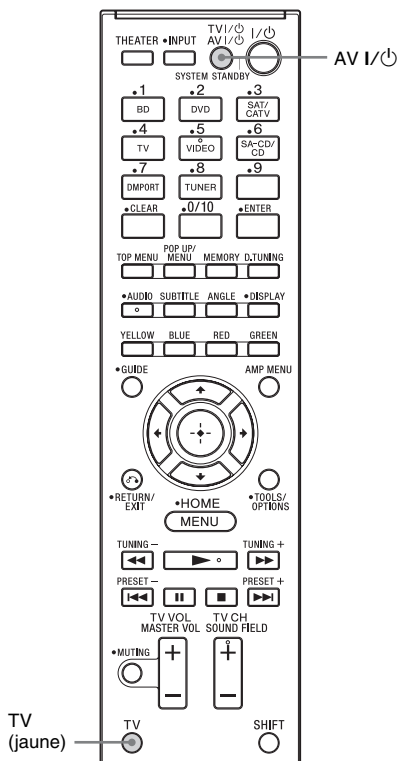
- Nous vous recommandons de définir la limite de volume sur un niveau quelque peu inférieur à votre volume d'écoute habituel.
- Quelle que soit la limite de volume définie, la touche VOLUME +/- du système et la touche MASTER VOL +/- de la télécommande sont actives.
- Si vous ne souhaitez pas limiter le niveau de volume, sélectionnez « MAX ».

## Mise hors tension du système, du téléviseur et des composants raccordés

### (Mise hors tension du système)

Lorsque vous mettez le téléviseur hors tension à l'aide de la touche d'alimentation de sa télécommande, le système et les composants raccordés sont mis hors tension automatiquement.

En outre, lorsque vous mettez le téléviseur hors tension à l'aide de la télécommande du système, le système et les composants raccordés sont mis hors tension automatiquement.



Tout en maintenant la touche TV (jaune) enfoncée, appuyez sur AV I/⏻.

Le téléviseur, le système et les composants raccordés sont mis hors tension.

**Remarque**

- En fonction de l'état, les composants raccordés peuvent ne pas être désactivés. Pour plus d'informations, reportez-vous au mode d'emploi des composants raccordés.

## Utilisation de la fonction d'économie d'énergie

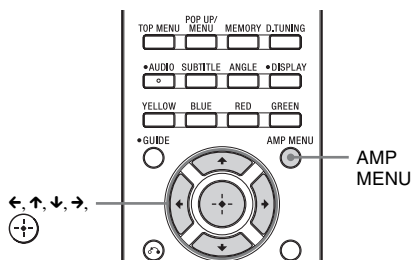
### (HDMI PASS THRU)

« BRAVIA » Sync vous permet de profiter de l'image et du son d'un Blu-ray Disc, etc. sur le téléviseur, même si le système est en mode veille. Par ailleurs, la consommation électrique en mode veille est automatiquement réduite lors de la mise hors tension du téléviseur si « PASS THRU » est réglé sur « AUTO ».

Le réglage par défaut est « AUTO ».

**Remarque**

- Cette fonction est uniquement disponible si « CTRL HDMI » est réglé sur « ON ».



- 1 Appuyez sur AMP MENU.
- 2 Appuyez plusieurs fois sur ↑/↓ jusqu'à ce que « SET HDMI » apparaisse, puis appuyez sur ⏻ ou →.
- 3 Appuyez sur ↑/↓ pour sélectionner « PASS THRU », puis appuyez sur ⏻ ou →.

## 4 Appuyez sur ↑/↓ pour sélectionner le réglage.

- AUTO : Lorsque le téléviseur est sous tension alors que le système est en mode veille, ce dernier reproduit les signaux HDMI provenant de sa prise de sortie HDMI. Ce réglage est recommandé si vous utilisez un téléviseur compatible avec « BRAVIA » Sync. Ce réglage permet d'économiser de l'énergie en mode veille par rapport au réglage « ON ».
- ON : Lorsque le système est en mode veille, il reproduit en permanence les signaux HDMI provenant de sa prise de sortie HDMI.

**Remarque**

- Lorsque « AUTO » est sélectionné, la durée d'apparition de l'image et du son sur le téléviseur peut être légèrement plus longue qu'avec le réglage « ON ».

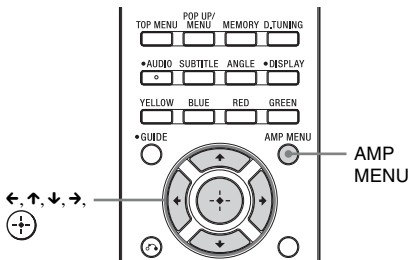
## 5 Appuyez sur AMP MENU.

Le menu AMP est désactivé.



# Désactivation de la fonction Audio Return Channel

Si le téléviseur est compatible avec la fonction Audio Return Channel (ARC), un raccordement à l'aide d'un câble HDMI envoie également le signal audio numérique provenant du téléviseur. Pour écouter le son du téléviseur, vous ne devez pas procéder à un raccordement audio distinct. Si vous n'utilisez pas la fonction ARC, raccordez le système et le téléviseur à l'aide d'un cordon optique numérique et réglez « ARC » sur « OFF » dans le menu AMP.



- 1 Appuyez sur AMP MENU.
- 2 Appuyez plusieurs fois sur ↑/↓ jusqu'à ce que « SET HDMI » apparaisse, puis appuyez sur ⊕ ou →.
- 3 Appuyez plusieurs fois sur ↑/↓ jusqu'à ce que « ARC » apparaisse, puis appuyez sur ⊕ ou →.
- 4 Appuyez sur ↑/↓ pour sélectionner « OFF ».
  - ON : La fonction ARC est activée.
  - OFF : La fonction ARC est désactivée.
- 5 Appuyez sur AMP MENU.

Le menu AMP est désactivé.

## Remarque

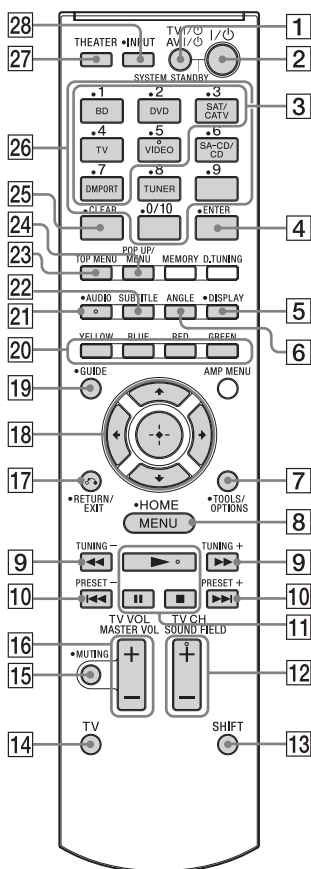
- Lorsque « CTRL HDMI » est réglé sur « OFF », la fonction ARC et ses réglages ne sont pas disponibles.

## Configuration avancée

# Contrôle des composants Sony raccordés à l'aide de la télécommande

Vous pouvez commander les composants Sony raccordés à l'aide de la télécommande de ce système.

Selon l'appareil, certaines fonctions ne peuvent pas être sélectionnées. Dans ce cas, sélectionnez-les à l'aide de la télécommande fournie avec l'appareil.



\* Les touches 5, ►, AUDIO et SOUND FIELD + possèdent un point tactile qui vous servira de guide lors de l'utilisation.

## Pour commander le composant

**1** Appuyez sur une des touches de sélection d'entrée [3] (BD, DVD, SAT/CATV, TV, VIDEO ou DMPORT) pour sélectionner le composant que vous souhaitez commander.

Vous pouvez à présent commander le composant affecté à la touche de sélection d'entrée sélectionnée.

**2** En vous reportant au tableau suivant, appuyez sur la touche correspondant à l'opération souhaitée.

## Opérations communes


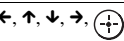
Touche de la télécommande	Fonction
[1] TV I/⏻ AV I/⏻ (mise sous tension/ veille)	Permet de mettre sous tension ou hors tension le téléviseur Sony ou les composants audio/vidéo que la télécommande est configurée pour contrôler. Appuyez simultanément sur [1] TV I/⏻/AV I/⏻ et sur [2] I/⏻ pour mettre le système hors tension, ainsi que tous les autres composants que la télécommande est configurée pour contrôler (SYSTEM STANDBY).
[4] ENTER	Permet de valider la sélection. Pour le téléviseur, tout en maintenant la touche [14] TV (jaune) enfoncée, appuyez sur [4] ENTER. Pour les autres composants, tout en maintenant la touche [13] SHIFT enfoncée, appuyez sur [4] ENTER.
[18] ◀, ▶, ↕, ⊕	Permettent de sélectionner un élément du menu et de valider la sélection.

Touche de la télécommande	Fonction
<b>20</b> Touches de couleur	Permettent d'afficher un guide d'utilisation à l'écran du téléviseur lorsque des touches de couleur sont disponibles. Suivez le guide d'utilisation pour exécuter l'opération sélectionnée.
<b>25</b> CLEAR	Efface la sélection. Pour le téléviseur, tout en maintenant la touche <b>14</b> TV (jaune) enfoncée, appuyez sur <b>25</b> CLEAR. Pour les autres composants, tout en maintenant la touche <b>13</b> SHIFT enfoncée, appuyez sur <b>25</b> CLEAR.
<b>26</b> Touches numériques	Permettent de sélectionner directement les chaînes et les plages. Pour le téléviseur, maintenez la touche <b>14</b> TV (jaune) enfoncée, puis appuyez sur les touches numériques afin de sélectionner des chaînes. Pour les autres composants, maintenez la touche <b>13</b> SHIFT enfoncée, puis appuyez sur les touches numériques afin de sélectionner des chaînes ou des plages.

## Pour commander un téléviseur

Maintenez la touche **14** TV (jaune) enfoncée et appuyez sur les touches dotées d'un point jaune ou d'une indication jaune.

Touche de la télécommande	Fonction
<b>5</b> DISPLAY	Affiche le numéro de la chaîne actuelle, etc.

Touche de la télécommande	Fonction
<b>7</b> TOOLS/ OPTIONS	Permet d'accéder à différentes options d'affichage et de modifier/ effectuer des réglages selon la source et le format d'affichage.
<b>8</b> MENU/HOME	Permet de sélectionner des chaînes ou des sources d'entrée et de modifier les paramètres de votre téléviseur.
<b>12</b> TV CH +/-	Permet de sélectionner la chaîne suivante (+) ou précédente (-).
<b>15</b> MUTING	Permet de désactiver le son.
<b>16</b> TV VOL +/-	Permet de régler le volume.
<b>17</b>  RETURN/EXIT	Permet de revenir à l'écran précédent d'un menu affiché.
<b>18</b> 	Permettent de sélectionner un élément du menu et de valider la sélection.
<b>19</b> GUIDE	Permet d'afficher le guide lorsque vous regardez des chaînes analogiques ou numériques.
<b>21</b> AUDIO	Permet de sélectionner le format ou la plage audio.
<b>27</b> THEATER	Permet de définir automatiquement les paramètres d'image optimaux pour le visionnage de films, notamment les paramètres de faible luminosité, lors du raccordement d'un téléviseur Sony compatible avec la fonction de la touche THEATER. En outre, le son bascule automatiquement vers la sortie audio de ce système lorsque vous raccordez le téléviseur au système à l'aide d'une connexion HDMI et que la fonction Commande pour HDMI est activée.

Touche de la télécommande	Fonction
<b>28</b> INPUT	Sélectionne l'entrée.

## Pour commander l'enregistreur DVD/enregistreur Blu-ray Disc

Touche de la télécommande	Fonction
<b>6</b> ANGLE	Permet de basculer vers d'autres angles de vue lorsque le DVD VIDEO en contient plusieurs.
<b>8</b> MENU/HOME	Permet d'afficher le menu.
<b>9</b> ◀◀/▶▶	Permettent d'effectuer un retour ou une avance rapides sur le disque lorsque vous appuyez sur ces touches pendant la lecture.
<b>10</b> ◀◀▶▶	Permet d'accéder au début du chapitre ou de la plage qui précède ou qui suit.
<b>11</b> ▶ (lecture)/ ⏸ (pause, appuyez à nouveau pour reprendre une lecture normale)/■ (arrêt)	Touches de mode de lecture.
<b>18</b> ←, ↑, ↓, →, (+)	Permettent de sélectionner un élément du menu et de valider la sélection.
<b>21</b> AUDIO	Permet de sélectionner le format ou la plage audio.
<b>22</b> SUBTITLE	Permet de sélectionner la langue des sous-titres lorsque des sous-titres multilingues sont enregistrés sur un BD-ROM/DVD VIDEO.
<b>23</b> TOP MENU	Permet d'afficher le menu supérieur/menu du disque.
<b>24</b> POP UP/MENU	Permet d'afficher le menu contextuel du BD-ROM ou le menu du DVD.

## Pour commander le lecteur DVD/lecteur Blu-ray Disc

Touche de la télécommande	Fonction
<b>6</b> ANGLE	Permet de basculer vers d'autres angles de vue lorsque le DVD VIDEO en contient plusieurs.
<b>8</b> MENU/HOME	Permet d'afficher le menu.
<b>9</b> ◀◀/▶▶	Permettent d'effectuer un retour ou une avance rapides sur le disque lorsque vous appuyez sur ces touches pendant la lecture.
<b>10</b> ◀◀▶▶	Permet d'accéder au début du chapitre ou de la plage qui précède ou qui suit.
<b>11</b> ▶ (lecture)/ ⏸ (pause, appuyez à nouveau pour reprendre une lecture normale)/■ (arrêt)	Touches de mode de lecture.
<b>18</b> ←, ↑, ↓, →, (+)	Permettent de sélectionner un élément du menu et de valider la sélection.
<b>21</b> AUDIO	Permet de sélectionner le format ou la plage audio.
<b>22</b> SUBTITLE	Permet de sélectionner la langue des sous-titres lorsque des sous-titres multilingues sont enregistrés sur un BD-ROM/DVD VIDEO.
<b>23</b> TOP MENU	Permet d'afficher le menu supérieur/menu du disque.
<b>24</b> POP UP/MENU	Permet d'afficher le menu contextuel du BD-ROM ou le menu du DVD.

## Pour commander un HDD/DVD COMBO

Touche de la télécommande	Fonction
<b>6</b> ANGLE	Permet de basculer vers d'autres angles de vue lorsque le DVD VIDEO en contient plusieurs.
<b>8</b> MENU/HOME	Permet d'afficher le menu.

Touche de la télécommande	Fonction
9 ◀▶	Permettent d'effectuer un retour ou une avance rapides sur le disque lorsque vous appuyez sur ces touches pendant la lecture.
10 ◀◀/▶▶	Permet de spécifier le chapitre ou la plage qui précède ou qui suit.
11 ▶ (lecture)/ ■ (pause, appuyez à nouveau pour reprendre une lecture normale)/■ (arrêt)	Touches de mode de lecture.
18 ◀, ↑, ↓, ▶, (+)	Permettent de déplacer la surbrillance ( curseur) et de sélectionner l'élément.
21 AUDIO	Permet de sélectionner le format ou la plage audio.
22 SUBTITLE	Permet de sélectionner la langue des sous-titres lorsque des sous-titres multilingues sont enregistrés sur un BD-ROM/DVD VIDEO.
23 TOP MENU	Permet d'afficher le menu supérieur/menu du disque.
24 POP UP/MENU	Permet d'afficher le menu contextuel du BD-ROM ou le menu du DVD.

### Pour commander le SAT

Touche de la télécommande	Fonction
8 MENU/HOME	Permet d'afficher le menu.
18 ◀, ↑, ↓, ▶, (+)	Permettent de sélectionner un élément du menu et de valider la sélection.
19 GUIDE	Permet d'afficher le menu de guidage.

#### Remarque

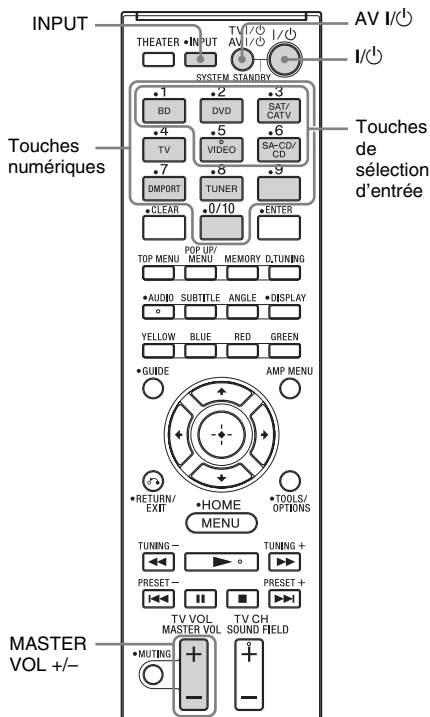
- Les explications ci-dessus sont données à titre d'exemple. Selon le composant, il est possible que ces opérations fonctionnent différemment ou que vous ne puissiez pas les réaliser.

### Pour commander le composant raccordé par l'intermédiaire d'une connexion DMPORT

Touche de la télécommande	Fonction
5 DISPLAY	Appuyez sur cette touche pour sélectionner le réglage de l'affichage du panneau frontal.
8 MENU	Permet d'afficher le menu.
9 ◀▶	Appuyez sur cette touche pour effectuer un retour ou une avance rapides sur le disque durant la lecture.
10 ◀◀/▶▶	Appuyez sur cette touche pour passer d'un chapitre à l'autre.
11 ▶ (lecture)/ ■ (pause)/■ (arrêt)	Touches de mode de lecture.
17 ↶ RETURN	Permet de revenir à l'écran précédent d'un menu affiché.
18 ◀, ↑, ↓, ▶, (+)	Permettent de sélectionner un élément du menu et de valider la sélection.

### Modification des affectations des touches de sélection d'entrée de la télécommande

Vous pouvez modifier les paramètres par défaut des touches de sélection d'entrée en fonction des composants de votre système. Par exemple, si vous raccordez un lecteur Blu-ray Disc à la prise DVD du système, vous pouvez configurer la touche DVD de cette télécommande afin qu'elle contrôle le lecteur Blu-ray Disc. Vous ne pouvez pas modifier les affectations des touches TV, DMPORT et TUNER de la télécommande.



**1** Maintenez enfoncée la touche d'entrée dont vous souhaitez modifier l'affectation, et appuyez simultanément sur la touche AV I/⏻ et maintenez-la enfoncée.

Exemple : Tout en maintenant la touche DVD enfoncée, appuyez sur la touche AV I/⏻ et maintenez-la enfoncée.

**2** Tout en maintenant la touche AV I/⏻ enfoncée, relâchez la touche d'entrée sélectionnée à l'étape 1.

Exemple : Tout en maintenant la touche AV I/⏻ enfoncée, relâchez la touche DVD.

**3** Tout en maintenant la touche AV I/⏻ enfoncée, reportez-vous au tableau suivant et appuyez sur la touche numérique correspondant à la catégorie souhaitée.

Exemple : Tout en maintenant la touche AV I/⏻ enfoncée, appuyez sur 1.

**4** Relâchez la touche numérique sélectionnée à l'étape 3, puis la touche AV I/⏻.

Exemple : Relâchez 1, puis AV I/⏻.

À présent, vous pouvez utiliser la touche DVD pour commander le lecteur Blu-ray Disc.

## Catégories et touches correspondantes pour BD, DVD, SAT/CATV, VIDEO et SA-CD/CD

Catégories	Appuyez sur
Lecteur Blu-ray Disc (mode de commande BD1) <sup>a)</sup>	1
Enregistreur Blu-ray Disc (mode de commande BD3)	2
Lecteur DVD (mode de commande DVD1)	3
Enregistreur DVD (mode de commande DVD3) <sup>b)</sup>	4
Magnétoscope (mode de commande VTR3)	5
Lecteur CD	6
DSS <sup>c)</sup>	7

<sup>a)</sup> Réglage initial de la touche BD. Pour plus de détails sur les réglages BD1 ou BD3, reportez-vous aux modes d'emploi fournis avec le lecteur Blu-ray Disc ou l'enregistreur Blu-ray Disc.

<sup>b)</sup> Réglage initial de la touche DVD. Les enregistreurs DVD Sony sont commandés à l'aide d'un réglage DVD1 ou DVD3. Pour plus d'informations, reportez-vous au mode d'emploi qui accompagne l'enregistreur DVD.

<sup>c)</sup> Réglage initial de la touche SAT/CATV.

## Pour supprimer toutes les affectations des touches de la télécommande

Maintenez enfoncée la touche MASTER VOL -, puis appuyez sur I/⏻ et sur INPUT. Ensuite, relâchez les touches.

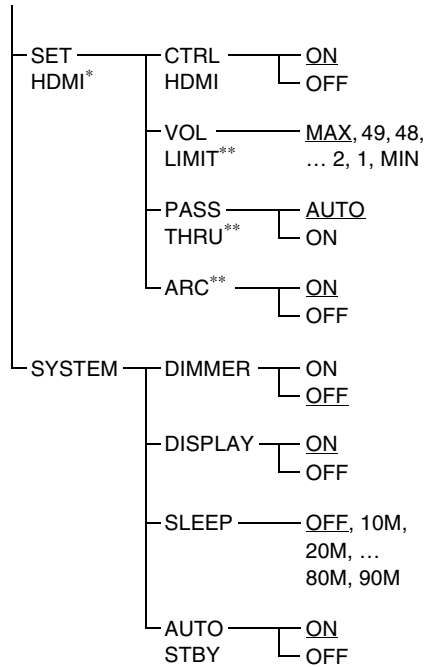
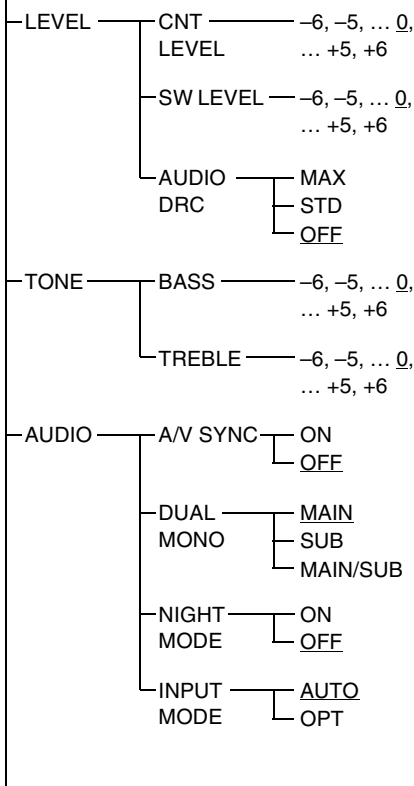
Les réglages initiaux de la télécommande sont rétablis.

# Sélections et réglages à l'aide du menu de l'amplificateur

## Utilisation du menu AMP

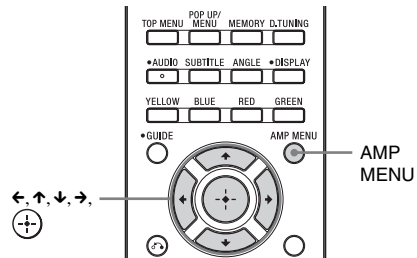
Vous pouvez régler les paramètres suivants avec la touche AMP MENU de la télécommande. Les réglages par défaut sont soulignés.

### AMP MENU



\* Consultez « Fonctionnalités de « BRAVIA » Sync » (page 40).

\*\* Ce réglage n'apparaît que si « CTRL HDMI » est réglé sur « ON ».



- 1** Appuyez sur AMP MENU pour activer le menu AMP.
- 2** Appuyez plusieurs fois sur ←/↑/↓/→ pour sélectionner l'élément et le réglage.
- 3** Appuyez sur AMP MENU pour quitter le menu AMP.

### Conseil

- Ces réglages sont gardés en mémoire, même si vous déconnectez le cordon d'alimentation.

Les pages suivantes décrivent chaque paramètre.

---

## Réglage du niveau du haut-parleur (CNT LEVEL, SW LEVEL)

Pour régler le niveau et la balance de l'enceinte centrale et du caisson de graves.

**1** Sélectionnez « LEVEL » dans le menu AMP, puis appuyez sur ou sur →.

**2** Sélectionnez « CNT LEVEL » ou « SW LEVEL », puis appuyez sur ou sur →.

- CNT LEVEL : Pour régler le niveau de l'enceinte centrale.
- SW LEVEL : Pour régler le niveau du caisson de graves.

**3** Sélectionnez le réglage de votre choix et appuyez sur la touche .

Le paramètre de « CNT LEVEL » et « SW LEVEL » se règle entre « -6 » et « +6 » par incréments de 1. Le réglage par défaut est « 0 ».

---

## Reproduction du son Dolby Digital à faible volume (AUDIO DRC)

Permet de réduire la gamme dynamique du son de la plage. Utile pour regarder des films à faible volume. AUDIO DRC s'applique uniquement aux sources Dolby Digital.

**1** Sélectionnez « LEVEL » dans le menu AMP, puis appuyez sur ou sur →.

**2** Sélectionnez « AUDIO DRC », puis appuyez sur ou →.

**3** Sélectionnez le réglage et appuyez sur .

- OFF : Aucune compression de la gamme dynamique.
- STD : Reproduit la plage audio en respectant la gamme dynamique prévue par l'ingénieur du son au moment de l'enregistrement.
- MAX : Comprime complètement la gamme dynamique.

---

## Réglage du niveau des graves et des aigus (BASS, TREBLE)

Vous pouvez aisément régler le niveau des graves et des aigus.

**1** Sélectionnez « TONE » dans le menu AMP, puis appuyez sur ou sur →.

**2** Sélectionnez « BASS » ou « TREBLE », puis appuyez sur ou sur →.

- BASS : Pour régler le niveau des graves.
- TREBLE : Pour régler le niveau des aigus.

**3** Sélectionnez le réglage de votre choix et appuyez sur la touche .

Le paramètre se règle entre « -6 » et « +6 » par incréments de 1. Le réglage par défaut est « 0 ».

---

## Réglage du décalage entre le son et l'image (A/V SYNC)

Vous pouvez retarder le son à l'aide de cette fonction lorsque l'image est plus lente que le son.

**1** Sélectionnez « AUDIO » dans le menu AMP, puis appuyez sur ou sur →.

**2** Sélectionnez « A/V SYNC », puis appuyez sur ou sur →.

**3** Sélectionnez le réglage et appuyez sur .

- OFF : Aucun réglage.
- ON : Règle le décalage entre l'image et le son.



**Remarques**

- Il se peut que vous soyez incapable de régler parfaitement le décalage entre le son et l'image à l'aide de cette fonction.
- Cette fonction n'est utile qu'avec Dolby Digital, DTS et une entrée PCM linéaire (2 canaux) par cordon coaxial numérique, cordon optique numérique ou câble HDMI.

**Reproduction d'un son diffusé en multiplex (DUAL MONO)**

Vous pouvez écouter un son diffusé en multiplex lorsque le système reçoit un signal diffusé en multiplex AC-3.

**Remarque**

- Pour recevoir un signal AC-3, vous devez raccorder un tuner satellite numérique à la chaîne à l'aide d'un câble optique ou coaxial et régler le mode de sortie numérique du tuner satellite numérique sur AC-3.

- 1** Sélectionnez « **AUDIO** » dans le menu AMP, puis appuyez sur ou sur →.
- 2** Sélectionnez « **DUAL MONO** », puis appuyez sur ou sur →.
- 3** Sélectionnez le réglage et appuyez sur .
  - MAIN : Lecture du canal principal seulement.
  - SUB : Lecture du canal secondaire seulement.
  - MAIN/SUB : Le son principal est reproduit par l'enceinte gauche et le son secondaire par l'enceinte droite.

**Reproduction du son à faible volume (NIGHT MODE)**

Cette fonction permet de bénéficier des effets sonores et d'entendre clairement les dialogues, même à faible volume.

- 1** Sélectionnez « **AUDIO** » dans le menu AMP, puis appuyez sur ou sur →.
- 2** Sélectionnez « **NIGHT MODE** », puis appuyez sur ou sur →.

- 3** Sélectionnez le réglage et appuyez sur .

- ON : La fonction « NIGHT MODE » est activée.
- OFF : La fonction est désactivée.

**Conseil**

- Vous pouvez écouter du son Dolby Digital à faible volume en utilisant AUDIO DRC (page 52).

**Réglage du son provenant du tuner satellite (INPUT MODE)**

Même si vous raccordez le tuner satellite à la prise d'entrée HDMI SAT/CATV du système, il est possible que le son multicanaux ne soit pas reproduit. Cela dépend du tuner satellite. Dans ce cas, raccordez un cordon optique numérique à la prise SAT/CATV OPT IN du système, en plus d'un câble HDMI, et effectuez le réglage suivant.

- 1** Sélectionnez « **AUDIO** » dans le menu AMP, puis appuyez sur ou sur →.
- 2** Sélectionnez « **INPUT MODE** », puis appuyez sur ou sur →.
- 3** Sélectionnez « **OPT** » et appuyez sur la touche .
  - AUTO : Pour reproduire de préférence le signal audio provenant de la prise d'entrée HDMI SAT/CATV.
  - OPT : Pour reproduire le signal provenant de la prise SAT/CATV OPT IN.

**Modification de la luminosité de l'affichage du panneau frontal (DIMMER)**

La luminosité de l'affichage du panneau frontal peut être réglée sur un des 2 niveaux.

- 1** Sélectionnez « **SYSTEM** » dans le menu AMP, puis appuyez sur ou sur →.
- 2** Sélectionnez « **DIMMER** », puis appuyez sur ou sur →.

### 3 Sélectionnez le réglage et appuyez sur



- ON : Sombre.
- OFF : Lumineux.

---

## Modification du réglage de l'affichage (DISPLAY)

Pour modifier le comportement de l'affichage du panneau frontal.

### 1 Sélectionnez « SYSTEM » dans le menu AMP, puis appuyez sur ou sur →.

### 2 Sélectionnez « DISPLAY », puis appuyez sur ou sur →.

### 3 Sélectionnez le réglage et appuyez sur .

- ON : L'affichage reste activé.
- OFF : L'affichage apparaît pendant quelques secondes lorsque vous utilisez le système.

#### Conseil

- Même si vous réglez « DISPLAY » sur « OFF », l'affichage indique les types de signaux d'entrée (entrée numérique uniquement) lorsque vous appuyez sur DISPLAY.

#### Remarque

- L'affichage reste activé lorsque la fonction de mise en sourdine ou de protection est activée, même si vous réglez « DISPLAY » sur « OFF ».

---

## Utilisation de la minuterie d'endormissement (SLEEP)

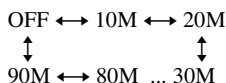
Vous pouvez programmer l'extinction du système à une heure déterminée et vous endormir ainsi au son de la musique. Vous pouvez régler cette heure par incréments de 10 minutes.

### 1 Sélectionnez « SYSTEM » dans le menu AMP, puis appuyez sur ou sur →.

### 2 Sélectionnez « SLEEP », puis appuyez sur ou sur →.

### 3 Sélectionnez l'heure prédéfinie souhaitée et appuyez sur la touche .

L'affichage des minutes (temps restant) change comme suit :



#### Remarque

- Cette fonction est disponible uniquement sur ce système et ne fonctionne pas sur le téléviseur raccordé ou sur d'autres composants.

---

## Fonction de mise en veille automatique (AUTO STBY)

Pour réduire la consommation d'énergie. Le système passe automatiquement en mode veille lorsque vous ne l'utilisez pas pendant environ 30 minutes et s'il ne reproduit aucun son pendant environ 30 minutes.

Le réglage par défaut est « ON ».

### 1 Sélectionnez « SYSTEM » dans le menu AMP, puis appuyez sur ou sur →.

### 2 Sélectionnez « AUTO STBY », puis appuyez sur ou sur →.

### 3 Sélectionnez le réglage et appuyez sur .

- ON : La fonction « AUTO STBY » est activée.
- OFF : La fonction est désactivée.

#### Remarques

- En cas de mise hors tension du système par la fonction AUTO STBY, il se peut qu'il ne se mette pas automatiquement sous tension lors de la prochaine activation du téléviseur.
- « AUTO STBY » se met à clignoter sur l'affichage du panneau frontal environ deux minutes avant le passage du système en mode veille.

### Dépannage

Si vous rencontrez l'une des difficultés suivantes lors de l'utilisation de ce système, consultez ce guide de dépannage pour tenter de remédier au problème. Si le problème persiste, consultez votre revendeur Sony le plus proche.

#### ALIMENTATION

##### L'appareil ne se met pas sous tension.

- Vérifiez que le cordon d'alimentation est correctement raccordé.

##### Le système ne se met pas sous tension en même temps que le téléviseur.

- Vérifiez les réglages du haut-parleur du téléviseur. Les réglages des enceintes du téléviseur contrôlent la mise sous tension automatique du système avec le téléviseur. Pour écouter le son du téléviseur par l'intermédiaire du système, vous devez ajuster les réglages des enceintes du téléviseur afin que le son soit reproduit par l'équipement audio externe. Pour plus de détails, reportez-vous au mode d'emploi du téléviseur.
- Le système ne se met pas sous tension en même temps que le téléviseur si le son était reproduit par les haut-parleurs du téléviseur la dernière fois que vous avez mis celui-ci hors tension.

##### La fonction Mise hors tension du système ne fonctionne pas.

- Modifiez le réglage du téléviseur pour désactiver automatiquement les composants raccordés lorsque vous mettez le téléviseur hors tension. Pour plus de détails, reportez-vous au mode d'emploi du téléviseur.

##### Le système se met hors tension lorsque vous mettez le téléviseur hors tension.

- Lorsque la fonction Commande pour HDMI est activée, la fonction Mise hors tension du système est active et le système se met hors tension lorsque vous mettez le téléviseur hors tension.

##### Le système se met automatiquement hors tension.

- La fonction AUTO STBY est activée (page 54).

#### SON

##### Le son multicanaux Dolby Digital ou DTS n'est pas reproduit.

- Vérifiez que le DVD, le Blu-ray Disc, etc. est enregistré en Dolby Digital ou DTS.
- Lorsque vous raccordez le lecteur Blu-ray Disc, DVD, etc. aux prises d'entrée numériques de ce système, vérifiez les réglages audio (réglages correspondant à la sortie audio) du composant raccordé.

##### Vous n'arrivez pas à obtenir les effets surround.

- Il est possible que le traitement surround ne fonctionne pas. Cela dépend du signal numérique (page 39). Appuyez sur DISPLAY pour faire apparaître le format audio sur l'affichage du panneau frontal. Si « 2.0CH » ou « 1.0CH » apparaît sur l'affichage du panneau frontal, il s'agit d'un signal stéréo ou mono qui ne comprend pas de son multicanaux. Si « 5.1CH », etc. apparaît, le signal contient plusieurs canaux, mais l'effet surround peut être subtil selon le programme ou le disque en cours de lecture.

##### Le système n'émet aucun son provenant du téléviseur.

- Vérifiez le raccordement du cordon optique numérique ou du cordon audio connecté au système et au téléviseur (page 24).
- Vérifiez la sortie audio du téléviseur.
- Si le téléviseur est compatible avec la fonction ARC, réglez « CTRL HDMI » et « ARC » sur « ON ».

##### Le système et le téléviseur reproduisent le son.

- Si la fonction Commande pour HDMI est désactivée ou si le composant raccordé n'est pas compatible avec la fonction Commande pour HDMI, coupez le son du système ou du téléviseur.

---

**Le son est en retard sur l'image du téléviseur.**

- Réglez « A/V SYNC » sur « OFF » si « A/V SYNC » est réglé sur « ON ».

---

**Le volume diminue lorsque le mode de sortie passe du haut-parleur du téléviseur aux enceintes du système.**

- La fonction de Limitation du volume fonctionne. Pour plus de détails, reportez-vous à la section « Utilisation de la fonction de Limitation du volume » (page 43).

---

**Le système ne reproduit aucun son ou ne reproduit que très faiblement le son provenant du composant raccordé.**

- Appuyez sur MASTER VOL + et vérifiez le niveau de volume.
- Appuyez sur MUTING ou sur MASTER VOL + pour annuler la fonction de mise en sourdine.
- Vérifiez que la source d'entrée est correctement sélectionnée.
- Vérifiez que tous les câbles et cordons du système ainsi que des composants raccordés sont complètement insérés.
- Vérifiez les réglages HDMI des composants raccordés.

---

**Aucun son n'est reproduit par les enceintes spécifiques.**

- Vérifiez que les connecteurs du cordon d'enceinte sont bien insérés dans les prises.
- Selon la source audio du système ou son champ acoustique (page 39), il se peut qu'aucun son ne soit reproduit par l'enceinte centrale.

---

**Le son est interrompu ou s'accompagne de parasites.**

- Consultez « Formats pris en charge par ce système » (page 57).

---

**IMAGE**

---

**Aucune image n'apparaît sur le téléviseur.**

- Vérifiez que le téléviseur et le système sont correctement raccordés.
- Vérifiez que le téléviseur est correctement sélectionné.
- Réglez le téléviseur sur le mode d'entrée adéquat.

- Vérifiez si les connexions HDMI IN et HDMI OUT ne sont pas inversées.
- Vérifiez que les cordons sont bien insérés dans les prises du composant et du système (pages 24, 26).

---

**Aucune image 3D n'apparaît sur le téléviseur.**

- Selon le téléviseur ou le composant vidéo, il est possible que les images 3D n'apparaissent pas. Vérifiez les formats d'images 3D pris en charge par le système (page 58).


---

**Lorsque le système est en mode veille, le téléviseur ne reproduit aucune image et aucun son.**

- « CTRL HDMI » est réglé sur « OFF ».
- Lorsque le système est en mode veille, l'image et le son sont reproduits par le composant HDMI sélectionné lors de la dernière mise hors tension du système. Si vous souhaitez écouter un composant autre que le dernier composant HDMI sélectionné, écoutez-le à l'aide de l'opération Lecture une touche ou mettez le système sous tension pour sélectionner le composant HDMI que vous souhaitez écouter.
- Vérifiez que « PASS THRU » est réglé sur « ON » dans le menu AMP si vous connectez des composants non compatibles avec « BRAVIA » Sync au système (page 44).

---

**La télécommande ne fonctionne pas**

- Dirigez la télécommande vers le capteur de la télécommande  situé sur le système.
- Retirez tous les obstacles se trouvant entre la télécommande et le système.
- Si les piles de la télécommande sont usées, remplacez-les.
- Assurez-vous de sélectionner la bonne entrée sur la télécommande.

## AUTRES

### Commande pour HDMI ne fonctionne pas correctement.

- Vérifiez la connexion HDMI (page 24).
- Réglez la fonction Commande pour HDMI sur le téléviseur (page 40).
- Veillez à ce que le composant raccordé soit compatible avec « BRAVIA » Sync.
- Vérifiez les réglages de la Commande pour HDMI du composant raccordé. Consultez le mode d'emploi fourni avec le composant raccordé.
- Si vous modifiez la connexion HDMI, connectez/déconnectez le cordon d'alimentation ou, en cas de coupure de courant, répétez les procédures de « Fonctionnalités de « BRAVIA » Sync » (page 40).
- Lorsque vous branchez ou débranchez le cordon d'alimentation, attendez au moins 15 secondes avant d'utiliser le système.
- Si vous raccordez la sortie audio du composant vidéo et le système à l'aide d'un câble HDMI, aucun son ne peut être reproduit en raison de la fonction « BRAVIA » Sync. Dans ce cas, réglez « CTRL HDMI » sur « OFF » (page 41) ou raccordez la prise de sortie audio directement au téléviseur plutôt qu'en passant par le système.

### Si les messages « PROTECTOR » ou « PUSH POWER » apparaissent en alternance sur l'affichage du panneau frontal.

Appuyez sur I/⏻ pour désactiver le système, puis vérifiez le point suivant une fois le message « STANDBY » disparu.

- Les orifices de ventilation du système ne sont-ils pas obstrués ?

Une fois le point ci-dessus vérifié et les problèmes éventuels résolus, mettez le système sous tension. Si vous ne trouvez pas la cause du problème alors que vous avez vérifié le point ci-dessus, consultez le revendeur Sony le plus proche.

## Si après avoir suivi les étapes ci-dessus le système ne fonctionne toujours pas correctement, réinitialisez-le comme suit :

Utilisez les touches situées sur le système.

**1** Appuyez sur I/⏻ pour mettre l'appareil sous tension.

**2** Appuyez sur I/⏻ tout en appuyant sur INPUT SELECTOR et VOLUME –.

« COLD RESET » s'affiche et le système est réinitialisé. Le menu AMP, le champ acoustique, etc. retrouvent leurs réglages par défaut.

## Caractéristiques

### Formats pris en charge par ce système

Ce système prend en charge les formats d'entrée numériques ci-dessous.

Format	Pris en charge/Non pris en charge
Dolby Digital	○
DTS	○
PCM linéaire (2 canaux)*	○
PCM linéaire (5.1 canaux, 7.1 canaux)* (Uniquement sur HDMI)	○
Dolby Digital Plus	×
Dolby True HD	×
DTS-HD	×

\* PCM linéaire n'accepte pas les fréquences d'échantillonnage supérieures à 48 kHz.

## SPECIFICATIONS DE PUISSANCE AUDIO

### PUISSANCE DE SORTIE ET DISTORSION

#### HARMONIQUE TOTALE :

(FTC)

pour le modèle des Etats-Unis

Avant G + Avant D : Avec des charges de 4 ohms, les deux canaux étant excités, de 180 à 20 000 Hz ; puissance efficace minimale de 60 W par canal, avec une distorsion harmonique totale de 1 % max. de 250 mW à la puissance de sortie nominale.

### Partie amplificateur

Modèles des Etats-Unis :

#### PUISSANCE DE SORTIE (référence)

Avant G/Avant D : 100 W (par canal sous 4 ohms, 1 kHz)

Centre : 100 W (sous 4 ohms, 5 kHz)

Caisson de graves : 100 W (sous 4 ohms, 100 Hz)

Modèles canadiens :

#### PUISSANCE DE SORTIE (nominale)

Avant G/Avant D : 65 W + 65 W (sous 4 ohms, 1 kHz, 1 % DHT)

#### PUISSANCE DE SORTIE (référence)

Avant G/Avant D : 100 W (par canal sous 4 ohms, 1 kHz)

Centre : 100 W (sous 4 ohms, 5 kHz)

Caisson de graves : 100 W (sous 4 ohms, 100 Hz)

Entrées

TV, SA-CD/CD Analogique  
TV, SAT/CATV Numérique (optique)  
VIDEO Numérique (coaxiale)

### Partie HDMI

Connecteur Connecteur HDMI™  
Entrées/sorties vidéo BD, DVD, SAT/CATV ;  
640 × 480p@60 Hz  
720 × 480p@59,94/60 Hz  
1280 × 720p@59,94/60 Hz  
1920 × 1080i@59,94/60 Hz  
1920 × 1080p@59,94/60 Hz  
720 × 576p@50 Hz

1280 × 720p@50 Hz  
1920 × 1080i@50 Hz  
1920 × 1080p@50 Hz  
1920 × 1080p@24 Hz

Entrées/sorties vidéo (3D)

BD, DVD, SAT/CATV ;  
1280 × 720p@59,94/60 Hz  
Paquet d'images  
1920 × 1080i@59,94/60 Hz  
Paquet d'images  
1920 × 1080i@59,94/60 Hz  
Côte à côte (Demi)  
1920 × 1080p@59,94/60 Hz  
Côte à côte (Demi)  
1280 × 720p@50 Hz  
Paquet d'images  
1920 × 1080i@50 Hz  
Paquet d'images  
1920 × 1080i@50 Hz  
Côte à côte (Demi)  
1920 × 1080p@50 Hz  
Côte à côte (Demi)  
1920 × 1080p@24 Hz  
Paquet d'images  
BD, DVD, SAT/CATV ;  
PCM linéaire 7.1 canaux/  
Dolby Digital/DTS

Entrées audio

### Partie tuner

Système Synthétiseur numérique verrouillé par quartz PLL

Partie tuner FM

Plage de syntonisation 87,5 – 108,0 MHz  
(pas de 100 kHz)

Antenne Fil d'antenne FM  
Bornes d'antenne 75 ohms, non équilibrées  
Moyenne fréquence 10,7 MHz

Partie tuner AM

Plage de syntonisation 530 kHz - 1 710 kHz (avec l'intervalle réglé sur 10 kHz)  
531 kHz - 1 710 kHz (avec l'intervalle réglé sur 9 kHz)

Antenne Antenne cadre AM  
Moyenne fréquence 450 kHz

**Enceinte (SS-CT350)**

Enceinte avant	
Enceinte	Pleine plage
Haut-parleur	40 mm × 70 mm (1 5/8 po. × 2 7/8 po.), type conique × 2
Impédance nominale	4 ohms
Enceinte centrale	
Haut-parleur	40 mm (1 5/8 po.), type conique × 2
Impédance nominale	4 ohms
Dimensions (approx.)	996 mm × 66 mm × 72 mm (39 1/4 po. × 2 5/8 po. × 2 7/8 po.) (l/h/p)
Poids (approx.)	2,4 kg (5 li. 5 on.)
Cordons d'enceinte	3 m

**Caisson de graves (SA-WCT350)**

Enceinte	Caisson de graves, Bass reflex
Haut-parleur	130 mm (5 1/8 po.) de type conique
Impédance nominale	4 ohms
Dimensions (approx.)	196 mm × 450 mm × 410 mm (7 3/4 po. × 17 3/4 po. × 16 1/4 po.) (l/h/p)
Poids (approx.)	10,5 kg (23 li. 3 on.)

**WS-CT350EB****Support d'extension**

Dimensions (approx.)	180 mm × 147 mm × 26 mm (l/h/p)
Poids (approx.)	555 g

**Couvercle arrière A**

Dimensions (approx.)	80 mm × 85 mm × 14 mm (l/h/p)
Poids (approx.)	25 g

**Couvercle arrière B**

Dimensions (approx.)	80 mm × 82 mm × 47 mm (l/h/p)
Poids (approx.)	35 g

**Couvercle arrière C**

Dimensions (approx.)	80 mm × 82 mm × 47 mm (l/h/p)
Poids (approx.)	35 g

**Couvercle du téléviseur**

Dimensions (approx.)	273 mm × 245 mm × 31 mm (l/h/p)
Poids (approx.)	165 g

**Caractéristiques générales**

Puissance de raccordement	120 V CA, 60 Hz
Consommation électrique	Marche : 80 W Mode veille : 0,3 W ou moins (Commande pour HDMI désactivée)
Intensité de sortie (DIGITAL MEDIA PORT) DC OUT :	5 V, 700 mA

La conception et les caractéristiques sont sujettes à modification sans préavis.

# Index

## A

A/V SYNC 52  
Affichage du panneau frontal 30  
ARC 25, 45  
AUDIO DRC 52  
AUTO STBY 54

## B

BASS 52  
« BRAVIA » Sync 40

## C

Champ acoustique 39  
CNT LEVEL 52  
Cordon optique numérique 24

## D

DIMMER 53  
DISPLAY 38, 54  
DUAL MONO 53

## F

Fonction Limitation du volume 43

## I

INPUT MODE 53  
INPUT SELECTOR 29  
Installation 8

## M

Menu AMP 51  
Minuterie d'endormissement 54

## N

NIGHT MODE 53

## P

Positionnement du système 8  
Prévention du renversement du téléviseur 20  
PROTECTOR 57

## R

Raccordement  
    adaptateur DIGITAL MEDIA PORT 26  
    antenne cadre AM 27  
    fil d'antenne FM 28  
    lecteur Blu-ray Disc 24  
    lecteur DVD 24, 26  
    PlayStation 2 26  
    PlayStation 3 25  
    téléviseur 24  
    tuner de télévision par câble 24, 26  
    tuner satellite 24, 26  
Radio 35

## S

Sourdine 31  
Stations radio 35  
SW LEVEL 52

## T

Télécommande  
    avant l'utilisation 7  
    utilisation 31, 46  
TREBLE 52

## V

VOLUME 29, 31





## ADVERTENCIA

### Para reducir el riesgo de incendios o electrocución, no exponga el aparato a la lluvia ni a la humedad.

La unidad no estará desconectada de la fuente de alimentación de ca mientras esté conectada a la toma de pared, aunque se haya apagado la propia unidad.

Para reducir el riesgo de incendio, no cubra los orificios de ventilación del aparato con periódicos, manteles, cortinas, etc.

No coloque objetos con llamas al descubierto como, por ejemplo, velas encendidas encima del aparato.

Para reducir el riesgo de incendio o de sufrir descargas eléctricas, no exponga el aparato a goteos o salpicaduras, ni coloque encima de éste recipientes que contengan líquidos como, por ejemplo, jarrones.

Dado que el enchufe del cable de alimentación se utiliza para desconectar la unidad de la fuente de alimentación, conecte la unidad en una toma de ca de fácil acceso. En caso de percibir alguna anomalía en la unidad, desconecte inmediatamente el enchufe del cable de alimentación de la toma de ca.

No sitúe el aparato en un espacio cerrado, como una estantería o un armario empotrado.

No exponga las baterías ni los aparatos con baterías instaladas a fuentes de calor excesivo como la luz solar, el fuego o similares.

### Para clientes en los EE. UU.



Este símbolo señala al usuario la presencia de “voltaje peligroso” sin aislamiento en el interior del aparato de tal intensidad que podría presentar riesgo de descarga eléctrica.



Este símbolo indica al usuario que el manual que acompaña a este aparato contiene instrucciones importantes referentes a su funcionamiento y mantenimiento.

## Registro de propiedad

El modelo y el número de serie se encuentran en la parte posterior del altavoz potenciador de graves. Registre el número de serie en el espacio que se encuentra a continuación. Consúltelo cuando deba llamar a un distribuidor Sony con respecto a este producto.

N.º de modelo HT-CT350

N.º de serie \_\_\_\_\_

## Instrucciones de seguridad importantes

- 1) Lea estas instrucciones.
- 2) Conserve estas instrucciones.
- 3) Preste atención a las advertencias.
- 4) Siga las instrucciones.
- 5) No utilice este aparato cerca del agua.
- 6) Límpielo sólo con un paño seco.
- 7) No bloquee los orificios de ventilación. Instale el aparato según las instrucciones del fabricante.
- 8) No instale el equipo cerca de fuentes de calor, como radiadores, rejillas de calefacción, estufas u otros aparatos (incluidos amplificadores) que producen calor.
- 9) No anule el propósito de seguridad del enchufe polarizado o enchufe con descarga a tierra. Un enchufe polarizado dispone de dos hojas, una más ancha que la otra. Un enchufe de tipo conexión a tierra tiene dos hojas y una tercera clavija para la conexión a tierra. La hoja ancha o la tercera clavija se proporcionan por razones de seguridad. Si el enchufe suministrado no entra en la toma, contacte a un electricista para que reemplace la toma obsoleta.
- 10) Evite pisar o perforar los cables de alimentación, sobre todo en la parte del enchufe, en los receptáculos y en el punto en el que el cable sale del equipo.
- 11) Use solamente los accesorios indicados por el fabricante.
- 12) Use solamente con el carrito, soporte, trípode, ménsula o mesa indicados por el fabricante, o que se venden con el equipo. Al utilizar el carrito, tenga cuidado al desplazar el carrito con el aparato, para evitar lesiones y que se vuelque el equipo.



- 13) Desenchufe este equipo durante tormentas eléctricas o cuando no se vaya a utilizar por períodos prolongados.
- 14) Consulte a personal de servicio calificado para cualquier mantenimiento. Se requiere servicio de mantenimiento cuando se ha dañado el equipo de algún modo, tal como cuando se daña el cable o enchufe de alimentación, se ha derramado líquido sobre el equipo o han caído objetos dentro de él, se ha expuesto el equipo a lluvia o humedad o cuando el equipo no opera como de costumbre o se ha dejado caer.

La siguiente declaración de la FCC (Comisión Federal de Comunicaciones) sólo se aplica a la versión de este modelo fabricado para la venta en los EE. UU. Las demás versiones no cumplen con las regulaciones técnicas de la FCC.

#### NOTA:

Este equipo ha sido sometido a pruebas y se ha determinado que cumple con los límites requeridos por los aparatos digitales de la clase B, en cumplimiento con la Sección 15 de las regulaciones de la FCC. Estas especificaciones han sido diseñadas para proporcionar una protección razonable contra interferencias perjudiciales en una instalación residencial. Este equipo genera, utiliza y puede emitir energía de radiofrecuencia y, de no ser instalado y utilizado de acuerdo con las instrucciones podría ocasionar interferencias perjudiciales en las comunicaciones de radio. No obstante, no se garantiza que no ocurra ninguna interferencia en una instalación particular. Si el presente equipo causa interferencia en la recepción de radio o televisión, que puede determinarse al apagar y encender el equipo, se recomienda que el usuario intente corregir la interferencia mediante una o más de las siguientes medidas:

- Cambie la orientación o ubicación de la antena de recepción.
- Aumente la separación entre el equipo y el receptor.
- Conecte el equipo en una toma de circuito distinta a la que está conectado el receptor.
- Consulte con su distribuidor o con un técnico especializado en radio/televisión para solicitar asistencia.

### PRECAUCIÓN

Queda notificado que ante cualquier cambio o modificación que no haya sido aprobado expresamente en este manual podría anular su poder para utilizar este equipo.

## Precauciones

### Seguridad

- En caso de que caiga algún objeto sólido o líquido dentro del sistema, desconéctelo y solicite al personal especializado que realice una verificación antes de volver a utilizarlo.
- No se apoye en el altavoz potenciador de graves, dado que podría caerse y lastimarse o podría ocasionar daños en el sistema.

### Fuentes de alimentación

- Antes de conectar el sistema, compruebe que la tensión de funcionamiento sea idéntica a su fuente de alimentación local. La tensión de funcionamiento se indica en la placa de identificación en la parte posterior del altavoz potenciador de graves.
- Si no va a utilizar el sistema por un tiempo prolongado, asegúrese de desconectarlo de la toma de pared. Para desconectar el cable de alimentación de ca, tire del enchufe, nunca del cable.
- Una clavija del enchufe es más ancha que la otra por motivos de seguridad y entrará en la toma de pared de una sola manera. Si no puede insertar la totalidad del enchufe en la toma, comuníquese con su proveedor.
- El cable de alimentación de ca sólo deberá ser reemplazado en un centro de servicio autorizado.

### Acumulación térmica

Si bien el sistema se calienta durante su funcionamiento, no se trata de una anomalía. El uso prolongado de este sistema puede provocar un incremento considerable de la temperatura en la parte trasera e inferior del sistema. Para evitar quemarse, no toque el sistema.

### Ubicación

- Instale el sistema en un lugar con ventilación adecuada para evitar el recalentamiento interno y prolongar la vida útil de sistema.
- No instale el sistema cerca de fuentes de calor, como radiadores o conductos de aire caliente, ni en lugares expuestos a la luz solar directa, polvo excesivo, vibraciones mecánicas o golpes.
- No coloque objetos en la parte posterior del altavoz potenciador de graves que puedan bloquear las ranuras de ventilación y ocasionar fallos de funcionamiento.

ES

- No coloque el sistema cerca de equipos como televisores, videograbadoras o lectores de cintas. (Si el sistema se utiliza junto con un televisor, una videograbadora o un lector de cinta y se coloca demasiado cerca de ese equipo, es posible que se generen ruidos y que la calidad de la imagen se vea afectada. Esto se produce especialmente cuando se utiliza una antena interior. Por lo tanto, recomendamos la utilización de una antena exterior.)
- Tenga cuidado al colocar el sistema en superficies que han sido tratadas de manera especial (encerados, barnizados con aceites, pulidos, etc.), ya que pueden mancharse o decolorarse.

### **Funcionamiento**

Antes de conectar los otros componentes, asegúrese de apagar y desenchufar el sistema.

### **Si encuentra irregularidades en el color en la pantalla de un televisor cercano**

Debido a su diseño magnéticamente apantallado, este sistema puede instalarse cerca de un televisor. Sin embargo, es posible que todavía se observen ciertas irregularidades en el color de la pantalla según el tipo de televisor que utilice.

### **En caso de que observe irregularidades en el color...**

Desconecte la alimentación del televisor y vuelva a conectarla después de 15 ó 30 minutos.

### **Si vuelve a observar irregularidades en el color...**

Aleje el sistema del televisor.

### **Limpieza**

Limpie el sistema con un paño seco y suave. No utilice estropajos abrasivos, detergente en polvo ni disolventes, como alcohol o bencina.

Si desea realizar alguna pregunta o solucionar algún problema relacionado con el sistema, póngase en contacto con el distribuidor Sony más cercano.

## **Derechos de autor**

Este sistema incorpora Dolby\* Digital, Pro Logic Surround y DTS\*\* Digital Surround System.

\* Fabricado bajo licencia de Dolby Laboratories.

Dolby, Pro Logic y el símbolo de la doble D son marcas comerciales de Dolby Laboratories.

\*\* Fabricado bajo licencia según Patente de los EE. UU N.º: 5.451.942; 5.956.674; 5.974.380; 5.978.762; 6.487.535 y otras patentes emitidas y pendientes en los EE. UU. y el resto del mundo. DTS y el símbolo de DTS son marcas comerciales registradas y DTS Digital Surround y los logotipos de DTS son marcas comerciales de DTS, Inc. Incluye el software de los productos. © DTS, Inc. Reservados todos los derechos.

Este sistema incorpora tecnología High-Definition Multimedia Interface (HDMI™).

HDMI, el logotipo de HDMI y High-Definition Multimedia Interface son marcas comerciales o marcas comerciales registradas de HDMI Licensing LLC en los EE. UU. y otros países.

“BRAVIA Sync” es una marca comercial de Sony Corporation.

“PlayStation” es una marca comercial registrada de Sony Computer Entertainment Inc.

“x.v.Color” y el logotipo de “x.v.Color” son marcas comerciales de Sony Corporation.



ENERGY STAR® es una marca registrada en EE. UU.

Como socio de ENERGY STAR®, Sony Corporation ha determinado que este producto cumple con los requisitos de eficiencia energética determinados por ENERGY STAR®.

# Tabla de contenido

Precauciones .....	3
<b>Procedimientos iniciales</b>	
Desembalaje .....	6
Cómo colocar el sistema .....	8
Advertencia sobre cómo instalar el altavoz del sistema en un soporte de televisor o una pared .....	11
Cómo conectar el altavoz .....	24
Cómo conectar el televisor y el reproductor, etc. ....	25
Cómo conectar otros componentes .....	27
Cómo conectar la antena (aérea) .....	28
Cómo conectar un cable de alimentación de ca .....	29
Cómo configurar la salida de sonido del componente conectado .....	29
<b>Opciones de reproducción</b>	
Índice de componentes y controles .....	30
Cómo disfrutar del televisor .....	32
Cómo disfrutar de otros componentes .....	33
<b>Funciones del sintonizador</b>	
Sintonización directa .....	35
Cómo memorizar emisoras de radio .....	36
Cómo escuchar la radio .....	36
Cómo asignar un nombre a las emisoras memorizadas .....	38
Cómo visualizar el nombre de la emisora o la frecuencia en el visor del panel frontal .....	39
<b>Función de sonido envolvente</b>	
Cómo disfrutar del efecto de sonido envolvente .....	40

## Características de “BRAVIA” Sync

¿Qué es “BRAVIA” Sync? .....	41
Cómo prepararse para “BRAVIA” Sync .....	41
Cómo disfrutar de Blu-ray Disc/DVD .....	43
(Reproducción mediante una pulsación)	
Cómo disfrutar del sonido del televisor desde el sistema .....	43
(Control de audio del sistema)	
Apague el sistema, el televisor y los componentes conectados .....	44
(Apagado del sistema)	
Cómo usar la función de ahorro de energía .....	45
(HDMI PASS THRU)	
Para apagar la función Audio Return Channel .....	46

## Ajustes avanzados

Cómo controlar los componentes de Sony con el mando a distancia .....	47
Cómo cambiar las asignaciones de los botones de entrada del mando a distancia .....	50
Configuración y ajustes mediante el menú del amplificador .....	52

## Información adicional

Solución de problemas .....	56
Especificaciones .....	58
Índice .....	61

## Procedimientos iniciales

### Desembalaje

- Altavoz potenciador de graves (SA-WCT350) (1)



- Altavoz (SS-CT350) (1)



- Antena cerrada de AM (1)



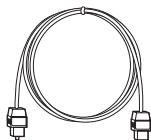
- Antena monofilar de FM (1)



- Cable de altavoz (1)



- Cable digital óptico para televisor (2,5 m) (1)



- Mando a distancia (RM-AAU071) (1)



- Pilas R6 (tamaño AA) (2)



- WS-CT350EB

- Soporte de extensión (1)



- Cubierta posterior A (1)



- Cubierta posterior B (1)



- Cubierta posterior C (1)



- Cubierta para el televisor (1)



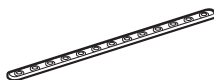
- Tornillos para el soporte de extensión (grandes, +PSW5 × 16 mm) (6)



- Tornillos para la cubierta posterior (pequeños, M3 × 8 mm) (1)



- Correa de soporte (1)



- Tornillo para la correa de soporte (+PSW4 × 20 mm) (1)



- Tornillo para madera para la correa de soporte (M3,8 × 20 mm) (1)




- Tornillo con abrazadera (2)

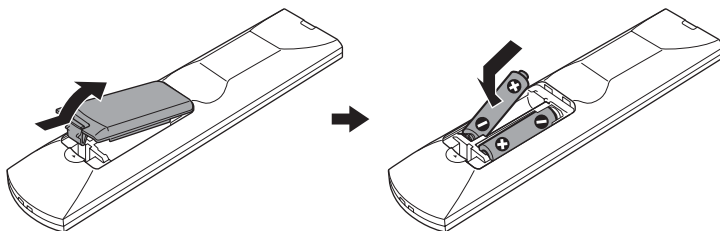


- Garantía (1)

- Manual de instrucciones (1)

## Cómo insertar las pilas en el mando a distancia

Inserte dos pilas R6 (tamaño AA) (suministrado) de forma que coincidan los extremos  $\oplus$  y  $\ominus$  de dichas pilas con las marcas del interior del compartimiento. Para utilizar el mando a distancia, oriéntelo hacia el sensor del mando a distancia  en el visor del panel frontal del altavoz potenciador de graves.



### Notas

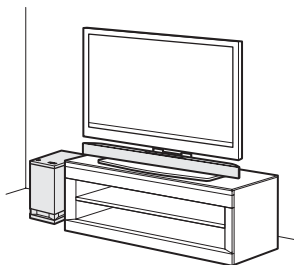
- No deje el mando a distancia en lugares extremadamente cálidos o húmedos.
- No emplee pilas nuevas junto con usadas.
- No deje caer ningún objeto extraño dentro de la carcasa del mando a distancia, sobre todo al sustituir las pilas.
- No exponga el sensor del mando a distancia a la luz solar directa ni a dispositivos de iluminación. Si lo hace, puede provocar un fallo de funcionamiento.
- Cuando tenga previsto que no va a utilizar el mando a distancia durante mucho tiempo, extraiga las pilas para evitar su corrosión y posibles daños por fugas.

## Cómo colocar el sistema

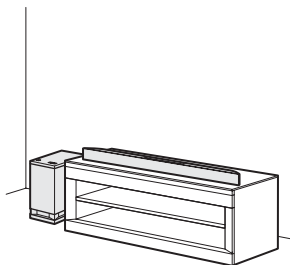
Las ilustraciones a continuación son ejemplos sobre cómo instalar el altavoz potenciador de graves y el altavoz.

Puede instalar el altavoz con los siguientes modelos de televisores (no suministrados):

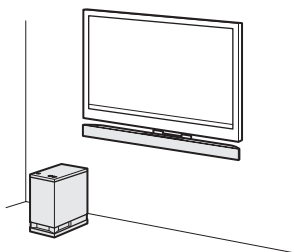
- KDL-40/46LX900, KDL-40NX800, KDL-40/46HX800, KDL-40/46EX700, KDL-46EX701, KDL-40/46NX700, KDL-40/46EX600



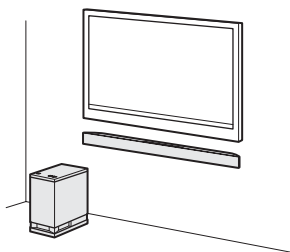
Para conocer más detalles, consulte "Cómo instalar el altavoz en un soporte de televisor" (página 15).



Instale el altavoz en un estante.



Para conocer más detalles, consulte "Cómo colgar el altavoz y el televisor en una pared" (página 19).



Para conocer más detalles, consulte "Instalación del altavoz en una pared" (página 23).

### Nota

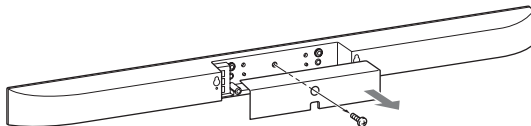
- No bloquee la ventilación de calor en el panel posterior del altavoz potenciador de graves.



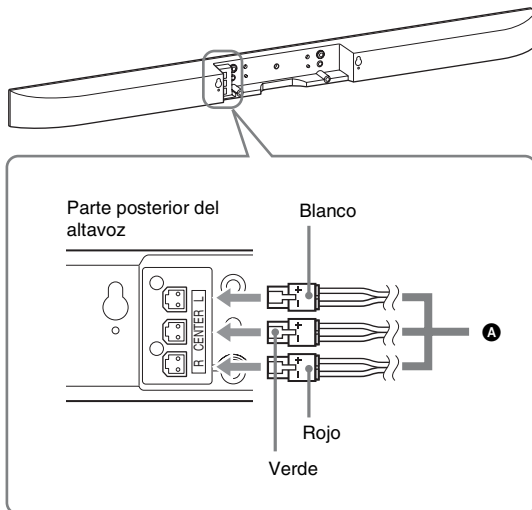
## Cómo conectar el cable de altavoz al altavoz

Los conectores del cable de altavoz están codificados con colores de acuerdo con el tipo de altavoz. Conecte los conectores del cable de altavoz de modo que coincidan con el color de las tomas del altavoz.

- 1 Quite el tornillo de la cubierta en la parte posterior del altavoz y, a continuación, retire la cubierta.

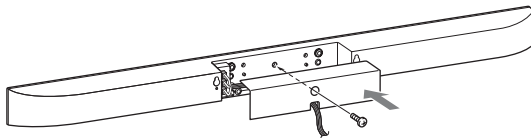


- 2 Conecte el cable de altavoz.



- 3 Pase el cable de altavoz a través de la ranura cuadrada en la parte inferior de la cubierta, a continuación, vuelva a colocar la cubierta en el altavoz y asegúrela con el tornillo que retiró en el paso 1.

Si instala el altavoz al televisor, no vuelva a colocar la cubierta. Realice los pasos que se describen en “Cómo instalar el altavoz en un soporte de televisor” (página 15) o “Cómo colgar el altavoz y el televisor en una pared” (página 19).



**Notas**

- Cuando instala el altavoz o el televisor en una pared, tenga cuidado de no tropezarse con el cable conectado al altavoz.
- Asegúrese de no apretar el cable de altavoz al volver a colocar la cubierta.

# Advertencia sobre cómo instalar el altavoz del sistema en un soporte de televisor o una pared

## Para los clientes

Para instalar este producto se precisan conocimientos y experiencia suficientes. Asegúrese de solicitar la instalación a distribuidores o contratistas autorizados por Sony. Preste especial atención a la seguridad durante la instalación. Sony no se responsabiliza por ningún accidente o daño causado por una instalación inadecuada ni por la instalación de otro producto que no sea el producto especificado. Sus derechos expresamente establecidos por ley (en caso de existir) no se ven afectados.

## Seguridad

Los productos de Sony se diseñaron teniendo en cuenta la seguridad. Sin embargo, si los productos se usan de manera inadecuada pueden ocasionar daños severos provocados por incendios, descargas eléctricas y caídas del producto. Cerciórese de consultar las medidas de seguridad para evitar tales accidentes.

## ADVERTENCIA

La omisión de las siguientes medidas de seguridad podría derivar en daños severos o fallecimiento por incendio o descarga eléctrica. Por otra parte, el producto podría caerse o tumbarse.

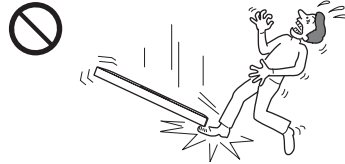
### No coloque ni instale los productos en lugares donde existe una posibilidad de que se caigan.

- Si desea instalar, trasladar o desmontar los productos, asegúrese de contratar a instaladores autorizados. Aleje a los niños pequeños durante el procedimiento.
- Una instalación no autorizada podría ocasionar lesiones severas o pérdidas materiales.
- Si un distribuidor no autorizado transporta o desmonta el altavoz SS-CT350 o el televisor con altavoz instalado SS-CT350, podría ocasionar la caída de los productos y provocar

lesiones severas o pérdidas materiales.

Cerciórese de que el traslado o desmontaje de los productos esté a cargo de dos o más personas.

- Después de montar el altavoz SS-CT350 o el televisor con altavoz instalado SS-CT350, no retire ningún tornillo, etc.
- Durante la limpieza o mantenimiento, no ejerza demasiada fuerza sobre los productos.
- Si cuelga el altavoz SS-CT350 o el televisor con altavoz instalado SS-CT350 en una pared frágil o en una pared cuya superficie no sea plana ni perpendicular, es posible que el producto se caiga y ocasione lesiones o pérdidas materiales.
- Si el altavoz SS-CT350 o el televisor con altavoz instalado SS-CT350 no se instala firmemente sobre la pared, es posible que el producto se caiga y ocasione lesiones o pérdidas materiales.

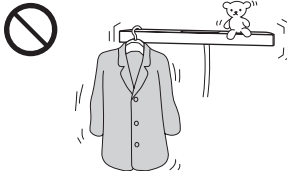


### No coloque objetos sobre los productos.

- De hecho, no coloque nada sobre los productos. Si lo hace, es posible que el sistema se caiga y ocasione lesiones o pérdidas materiales.

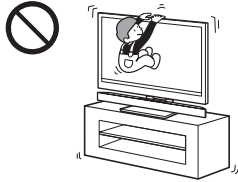


continuación



**No incline los productos ni se agarre de los mismos.**

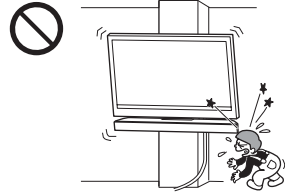
- No incline los productos ni se agarre de los mismos, dado que pueden caerse y ocasionar lesiones graves.



**Preste atención a la ubicación.**

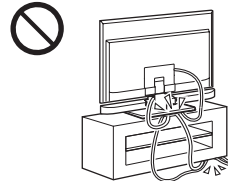
- No instale los productos en columnas, dado que las esquinas o los laterales de los productos sobresalen de la superficie de la pared. En caso de que una persona o un objeto golpee la esquina o el lateral sobresaliente de los productos, podría derivar en una lesión o pérdida material.
- No exponga los productos a la lluvia o a la humedad. Tampoco derrame ningún tipo de líquido sobre los productos. Puede ocasionar un incendio o una descarga eléctrica.
- Nunca coloque los productos en lugares con calor, humedad o polvo excesivos o en un lugar que esté sujeto a vibraciones mecánicas. Si lo hace, puede ocasionar un incendio o una descarga eléctrica.
- Mantenga los objetos inflamables o llamas expuestas (p. ej. velas) lejos de los productos.

- No instale los productos sobre un aire acondicionado ni debajo del mismo. Si los productos están expuestos al viento del aire acondicionado durante un período de tiempo prolongado o se mojan con agua del aire acondicionado, puede producirse un incendio, una descarga eléctrica o malfuncionamiento.



**Evite que los cables queden comprimidos.**

- Si el cable de alimentación de ca o los cables conectivos quedan comprimidos entre los productos y la pared, el piso u otro objeto, o bien si el cable se curva o tuerce con fuerza, los conductores internos pueden quedar expuestos y ocasionar un cortocircuito o descarga eléctrica. Esto puede ocasionar un incendio o descarga eléctrica.
- No se pare sobre el cable de alimentación de ca o los cables conectivos al trasladar los productos. Es posible que el cable se dañe y ocasione un incendio o descarga eléctrica.



**No cubra los orificios de ventilación de los productos.**

- Si cubre los orificios de ventilación (con un paño, etc.), es posible que se eleve la temperatura y produzca un incendio.



**No se tropiece con los cables.**

- Es posible que se tropiece o que se caiga el producto. Ambas acciones pueden ocasionar lesiones.



**PRECAUCIÓN**

Si no se tienen en cuenta las siguientes medidas de seguridad, es posible que se produzcan lesiones o pérdidas materiales.

**No instale ningún otro equipo que no sea el producto especificado.**

- Los accesorios WS-CT350EB (suministrados) se diseñaron para ser utilizados con el equipo especificado solamente. Si instala otro equipo diferente del especificado, se puede caer o romper y provocar lesiones.
- No modifique los productos.
- No coloque nada caliente directamente sobre los productos. El calor puede decolorar o deformar los productos.

**Cerciórese de asegurar el altavoz y el televisor del sistema.**

- Si instala el televisor y el altavoz SS-CT350 de manera conjunta, asegúrelos con firmeza. A continuación, asegure el televisor con el altavoz instalado SS-CT350 firmemente al soporte o la pared. Si el televisor y el altavoz SS-CT350 no están instalados de manera segura, pueden caerse o tumbarse y provocar lesiones.

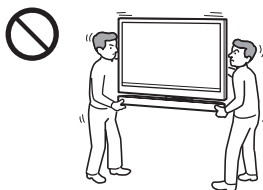
**No coloque peso sobre los productos ni los someta a ningún tipo de impacto.**

- Si desea instalar el altavoz SS-CT350 a un televisor o si desea colocar el televisor con altavoz instalado SS-CT350 en una pared, no aplique peso al altavoz o al televisor con su mano. No golpee el altavoz ni el televisor con objetos duros, como un destornillador, etc.

**Si desea trasladar el televisor con altavoz instalado SS-CT350**

Si traslada los productos violentamente, podría derivar en daños o lesiones. Asegúrese de seguir los procedimientos adecuados y el asesoramiento que se brinda a continuación.

- Asegúrese de que dos o más personas trasladen el televisor con altavoz instalado SS-CT350. Esta tarea se debe realizar después de desconectar y retirar el equipo conectado.
- Tenga cuidado de no apretarse las manos o los pies con la parte inferior del televisor con altavoz instalado SS-CT350.
- Si desea trasladar el televisor con altavoz instalado SS-CT350, no lo sostenga de la parte del altavoz SS-CT350. Si lo hace, podría causar daños o lesiones.
- No arrastre el televisor con altavoz instalado SS-CT350. El fondo puede desprenderse y dañar el piso.



continuación

**Notas sobre la instalación**

- Cuando realice el montaje, coloque un paño sobre el piso para evitar dañarlo.
- Instale los productos en una superficie sólida y plana.
- Asegúrese de que dos o más personas instalen los productos. Si lo hace por su cuenta, podría causar un accidente o lesiones.
- Asegúrese de que los niños estén alejados durante el proceso.

**Cerciórese de instalar los productos de manera segura de acuerdo con las instrucciones.**

- Ajuste bien los tornillos. Si el altavoz SS-CT350 no está instalado de manera segura, puede caerse y causar daños o lesiones.
- Tenga cuidado de no lastimarse los dedos o las manos al montar los productos.

**Notas sobre la instalación en una pared**

- Si utiliza los productos instalados en una pared durante un tiempo prolongado, la pared que se encuentra detrás o sobre los productos puede decolorarse o el papel de empapelar puede despegarse, según el material de la pared.
- Si quita los productos después de instalarlos en la pared, quedarán los orificios.
- Consulte con un instalador autorizado si desea conocer cuál es la ubicación adecuada (libre de perturbación de radiocomunicación, etc.) antes de realizar la instalación.

## Cómo instalar el altavoz en un soporte de televisor

Puede instalar el altavoz con los siguientes modelos de televisores (no suministrados):

- KDL-40/46LX900, KDL-40NX800, KDL-40/46HX800, KDL-40/46EX700, KDL-46EX701, KDL-40/46NX700, KDL-40/46EX600

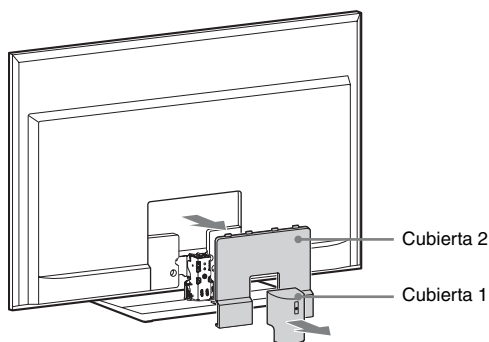
Si bien la forma de la base del soporte del televisor difiere según el modelo del televisor, puede instalar el altavoz en el soporte del televisor siguiendo este procedimiento.

### 1 Quite las cubiertas 1 y 2 de la parte posterior del televisor.

Para conocer más detalles sobre cómo quitar las cubiertas, consulte el Manual de instrucciones del televisor.

#### Nota

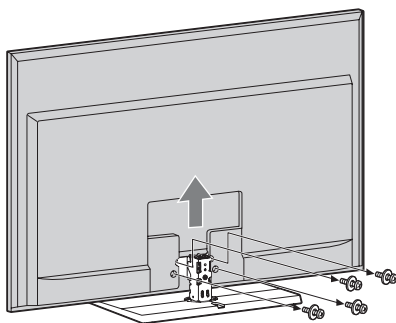
- Algunos televisores Sony no poseen la cubierta 2.



### 2 Quite los tornillos del televisor y, a continuación, desmonte el televisor del soporte.

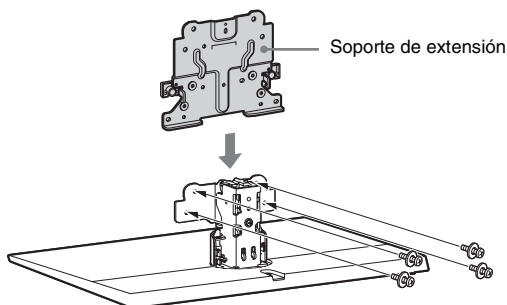
#### Nota

- Asegúrese de colocar el televisor sobre un paño grueso y suave con la pantalla hacia abajo para evitar dañar la superficie del LCD.

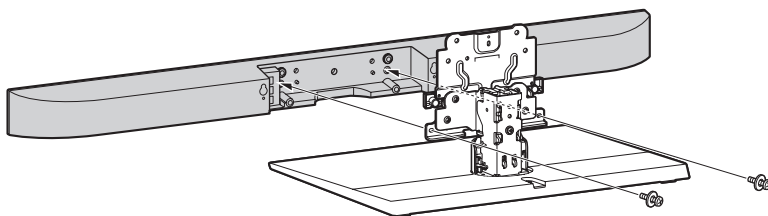


continuación

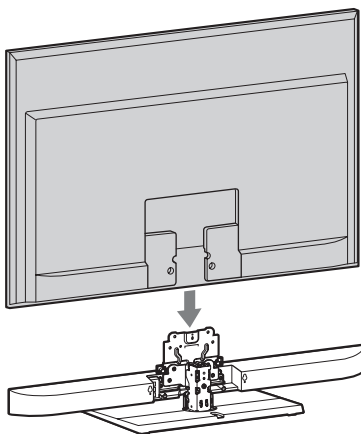
- 3** Asegure el soporte de extensión (suministrado) al soporte del televisor con los tornillos grandes (+PSW5 x 16 mm) (suministrados).



- 4** Asegure el altavoz al soporte de extensión con los tornillos grandes (+PSW5 x 16 mm) (suministrados).

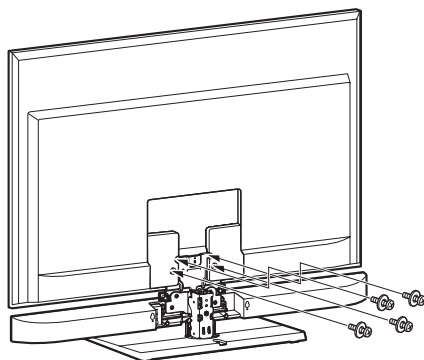


- 5** Vuelva a colocar el televisor.





## 6 Asegure el televisor con los tornillos que retiró en el paso 2.



## 7 Coloque las cubiertas posteriores A, B y C (suministradas).

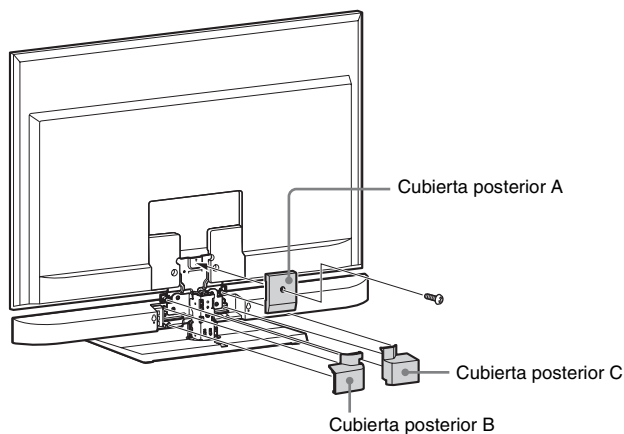
Asegure la cubierta posterior A al soporte de extensión con los tornillos pequeños (M3 × 8 mm) (suministrados).

Pase el cable de altavoz a través del orificio rectangular de la cubierta posterior B e inserte las tres partes salientes de la cubierta posterior B en los orificios del soporte de extensión y el altavoz.

Inserte las tres partes salientes de la cubierta Posterior C en los orificios del soporte de extensión y el altavoz.

### Nota

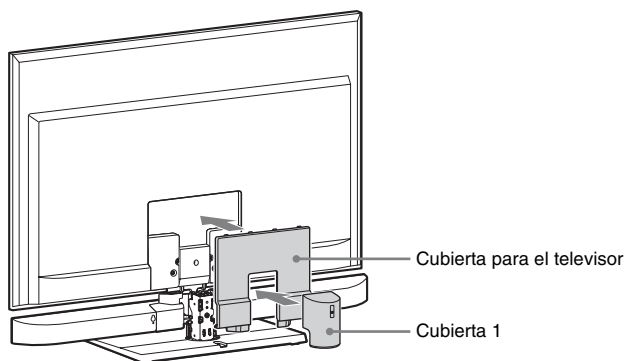
- Si desea trasladar el televisor con altavoz instalado SS-CT350, no lo sostenga de la parte del altavoz SS-CT350. Si lo hace, podría causar daños o lesiones.



## 8 Coloque la cubierta para el televisor (suministrada) y la cubierta 1 que retiró en el paso 1.

Inserte las dos partes salientes de la cubierta para el televisor en los orificios del televisor.

Para conocer más detalles sobre cómo colocar la cubierta 1, consulte el Manual de instrucciones del televisor.



### Nota

- Como medida de prevención, asegure el televisor. Para conocer más detalles, consulte "Para evitar que el televisor se desplome" (página 21).

## Cómo colgar el altavoz y el televisor en una pared

Puede colgar el altavoz con los siguientes modelos de televisores (no suministrados):

- KDL-40/46LX900, KDL-40NX800, KDL-40/46HX800, KDL-40/46EX700, KDL-46EX701, KDL-40/46NX700, KDL-40/46EX600

### Nota

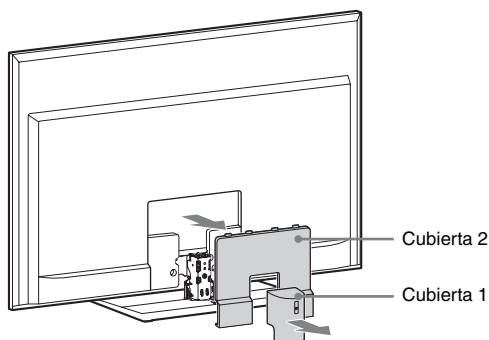
- Para colgar el televisor en la pared, consulte el Manual de instrucciones del televisor.

## 1 Quite las cubiertas 1 y 2 de la parte posterior del televisor.

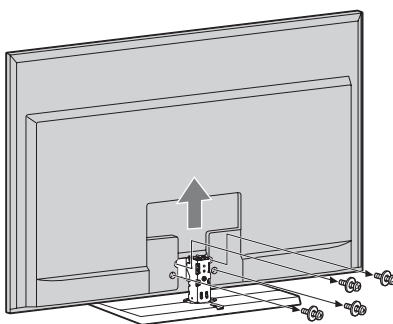
Para conocer más detalles sobre cómo quitar las cubiertas, consulte el Manual de instrucciones del televisor.

### Nota

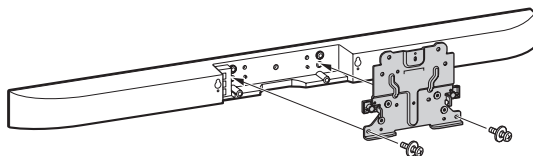
- Algunos televisores Sony no poseen la cubierta 2.



## 2 Quite los tornillos del televisor y, a continuación, desmonte el televisor del soporte.



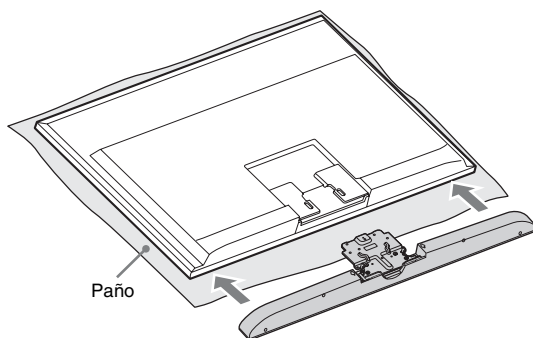
**3** Asegure el altavoz al soporte de extensión con los tornillos grandes (+PSW5 × 16 mm) (suministrados).



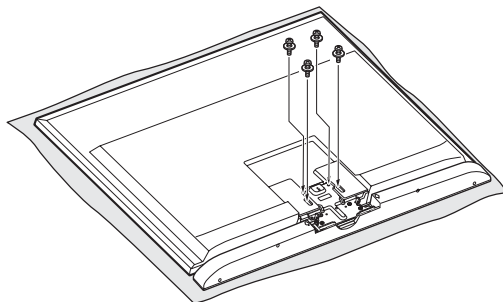
**4** Vuelva a colocar el televisor.

**Nota**

- Asegúrese de colocar el televisor sobre un paño grueso y suave con la pantalla hacia abajo para evitar dañar la superficie del LCD.



**5** Asegure el televisor con los tornillos que retiró en el paso 2.



**6** Cuelgue el televisor en la pared.

Para conocer más detalles sobre cómo colgar el televisor en la pared, consulte el Manual de instrucciones del televisor.

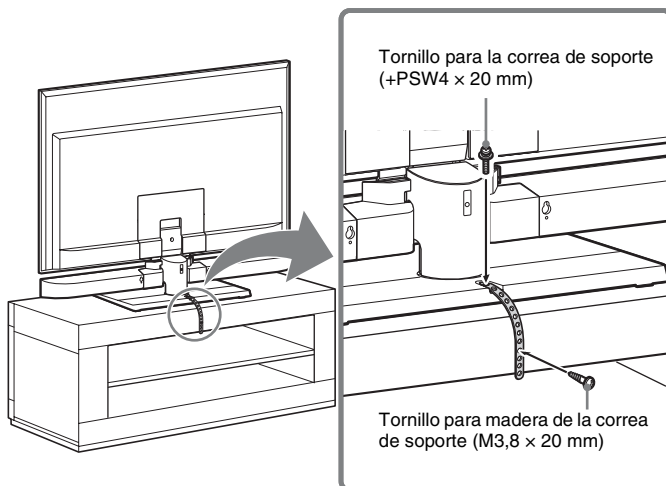
**Nota**

- Si desea colgar el televisor con altavoz instalado SS-CT350 en la pared, o bien, si desea retirarlo de la pared, no lo sostenga de la parte del altavoz SS-CT350. Si lo hace, podría causar daños o lesiones.

## Para evitar que el televisor se desplome

Como medida de prevención, asegure el televisor. En caso contrario, es posible que el televisor se desplome o que pueda ocasionarle lesiones severas.

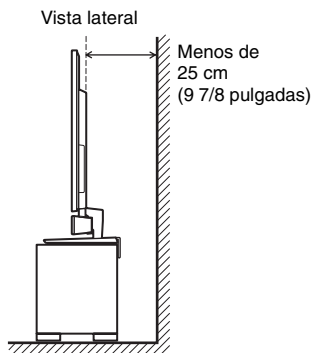
### Al instalar el televisor en un estante



- 1** Coloque el televisor en el centro del estante.
- 2** Ajuste la correa de soporte (suministrada) al televisor y sujete con firmeza el tornillo para la correa de soporte (+PSW4 × 20 mm) (suministrado) con la ayuda de un destornillador.
- 3** Ajuste la correa de soporte al estante con un tornillo para madera para la correa de soporte (M3,8 × 20 mm) (suministrado).

#### Notas

- Cuando instale el televisor y el estante, tenga cuidado de no apretarse los dedos.
- Instale el estante luego de haber dejado un espacio de menos de 25 cm (9 7/8 pulgadas) desde la pared. La pared evitará que el televisor se caiga del estante, incluso si el televisor se inclina hacia atrás en el sentido de la pared.

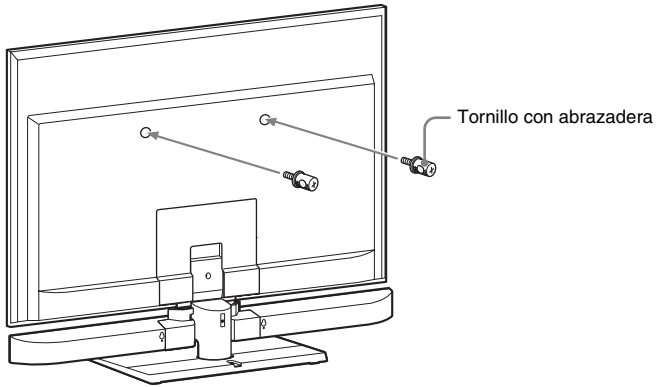


continuación

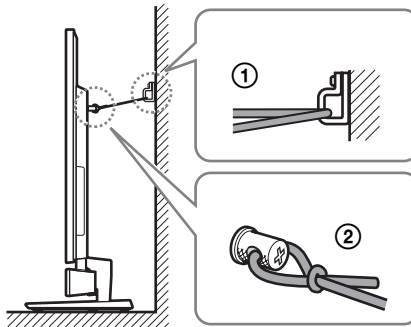
## Al instalar el televisor en un piso cerca de la pared

Prepare una cadena o una cuerda fuerte (no suministrada) y un sujetador (no suministrado) para sujetar el televisor a la pared. Fije con firmeza el sujetador a la pared reforzada.

- 1 Ajuste los tornillos con abrazadera (suministrados) a la parte posterior del televisor.**



- 2 Ajuste el sujetador a la pared (①), y luego enhebre el cable o la cadena a través de los agujeros del tornillo con abrazadera y el sujetador (②). Ajuste ambos extremos de la cuerda o la cadena simultáneamente.**



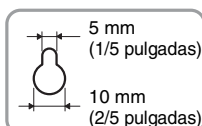
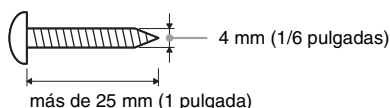
## Instalación del altavoz en una pared

Puede instalar el altavoz en la pared.

### Notas

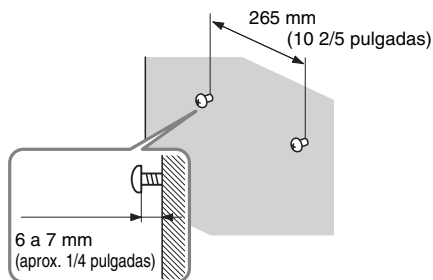
- Utilice los tornillos adecuados para el material y la resistencia de la pared. Dado que las placas de yeso son muy frágiles, coloque los tornillos en una viga de la pared. Instale el altavoz en un área reforzada de la pared que sea vertical y plana.
- Asegúrese de solicitar la instalación a distribuidores o contratistas autorizados por Sony. Preste especial atención a la seguridad durante la instalación.
- Sony no se responsabiliza por accidentes o daños ocasionados por una instalación incorrecta, resistencia insuficiente de la pared, instalación incorrecta de los tornillos o desastres naturales, etc.

### 1 Prepare los tornillos (no suministrados) adecuados para los orificios en la parte posterior del altavoz. Consulte las ilustraciones que se muestran a continuación.



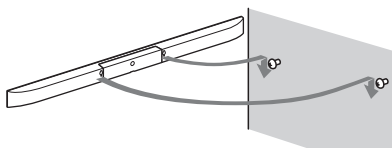
Orificio en la parte posterior del altavoz

### 2 Ajuste los tornillos a la pared. Los tornillos deben sobresalir entre 6 y 7 mm (aprox. 1/4 pulgadas).



### 3 Cuelgue el altavoz en los tornillos.

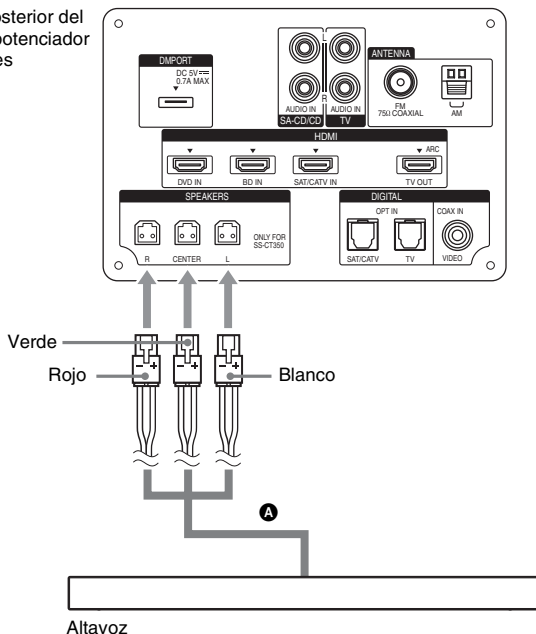
Alinee los orificios en la parte posterior del altavoz con los tornillos, a continuación, cuelgue el altavoz en los dos tornillos.



# Cómo conectar el altavoz

Los conectores de cable de altavoz están codificados con colores de acuerdo con el tipo de altavoz. Conecte los conectores del cable de altavoz de modo que coincidan con el color de las tomas SPEAKERS.

Parte posterior del altavoz potenciador de graves



**A** Cable de altavoz (suministrado)

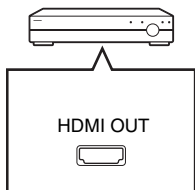


# Cómo conectar el televisor y el reproductor, etc.

Conecte el televisor y/o el reproductor, etc. al sistema mediante las tomas HDMI a través de un cable HDMI.

Si conecta los componentes compatibles con Sony "BRAVIA" Sync con los cables HDMI, la operación se puede simplificar al establecer la función Control por HDMI en el televisor para cada componente conectado. Consulte "Características de "BRAVIA" Sync" (página 41).

Reproductor de DVD, etc.



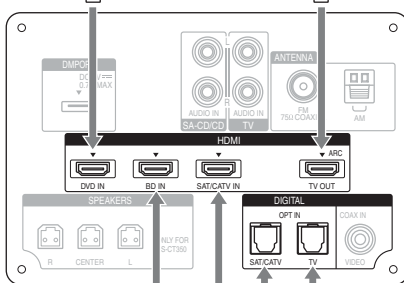
Cable HDMI  
(no suministrado)

Televisor



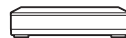
Cable HDMI  
(no suministrado)

Parte posterior del  
altavoz potenciador  
de graves

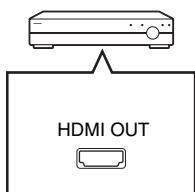


Cable digital óptico para  
televisor (suministrado)

Sintonizador satelital o  
sintonizador de televisión por  
cable, etc. con una toma HDMI



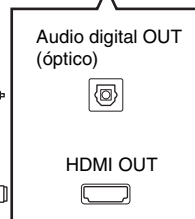
Reproductor de Blu-ray Disc, etc.



Cable HDMI  
(no suministrado)

Cable digital óptico  
(no suministrado)

Cable HDMI  
(no suministrado)



## Notas

- El sistema es compatible con la función Audio Return Channel (ARC). Si conecta el sistema a una toma HDMI del televisor compatible con ARC mediante un cable HDMI, no será necesario conectar el televisor al sistema con el cable digital óptico (página 46).
- Si es compatible con la función “ARC”, podrá ver las letras ARC junto a la toma HDMI del televisor. Aunque conecte un cable HDMI a la toma, si la toma de entrada HDMI no es compatible con la función ARC, no podrá utilizar la función ARC.
- La función ARC sólo está disponible cuando Control por HDMI está activado.
- Según el sintonizador satelital, es posible que el sonido multicanal no pueda oírse. En este caso, conecte un cable digital óptico además de un cable HDMI y establezca “INPUT MODE” en “OPT” en el menú AMP (página 54).
- Conecte una “PlayStation 3”, etc., en cualquier toma HDMI disponible. Todas las tomas HDMI del sistema funcionan de la misma manera.
- Las conexiones de las tomas HDMI tienen prioridad cuando conecta diferentes componentes en el sistema mediante tomas INPUT OPT/INPUT COAX y HDMI.
- Al conectar un televisor que no posee una toma de salida de audio digital óptico, conecte el televisor al sistema mediante un cable de audio analógico (no suministrado).

## Sugerencia

- Aunque el sistema esté desactivado (modo en espera activo), la señal HDMI se enviará desde el componente conectado al televisor a través de la conexión HDMI. Puede disfrutar de la imagen y el sonido desde el componente del televisor.

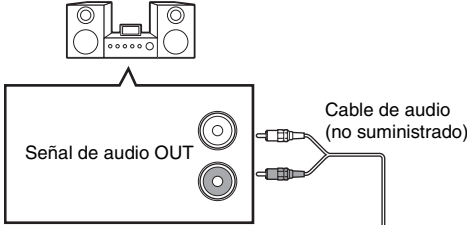
## Notas sobre las conexiones HDMI

- Utilice un cable HDMI High Speed. Si utiliza un cable Standard HDMI, las imágenes 1080p o Deep Color o 3D no se visualizarán correctamente.
- Sony recomienda la utilización de un cable HDMI autorizado o un cable HDMI Sony.
- Si la imagen es deficiente o si el sonido no se emite desde un componente conectado a través del cable HDMI, compruebe la configuración del componente conectado.
- Las señales de audio (frecuencia de muestreo, longitud de bits, etc.) transmitidas desde una toma HDMI pueden estar suprimidas por el componente conectado.
- Es posible que el sonido se interrumpa cuando se cambie la frecuencia de muestreo o los números de los canales de las señales de salida de audio del componente de reproducción.
- Si el componente conectado no es compatible con la tecnología de protección de derechos de autor (HDCP), es posible que la imagen y el sonido de la toma HDMI TV OUT se distorsione o no se emita. En este caso, compruebe la especificación del componente conectado.
- No recomendamos la utilización de un cable de conversión HDMI-DVI.
- Cuando “TV”, “DMPORT”, “SA-CD/CD”, “VIDEO”, “TUNER FM” o “TUNER AM” está seleccionado para la fuente de entrada del sistema, las señales de vídeo mediante la toma de entrada HDMI (BD, DVD, SAT/CATV) seleccionadas la última vez se emiten desde la toma HDMI TV OUT.
- Este sistema es compatible con transmisión Deep Color, “x.v.Color”, y 3D.
- Para disfrutar de imágenes 3D, conecte componentes de televisión y vídeo compatibles con 3D (reproductor de Blu-ray Disc, grabador de Blu-ray Disc, “PlayStation 3”, etc.) al sistema con los cables High Speed HDMI, colóquese anteojos 3D, y luego reproduzca el contenido compatible con 3D.

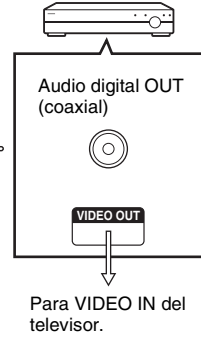
## Cómo conectar otros componentes

Si desea conectar componentes que no tienen tomas HDMI, como "PlayStation 2", un reproductor de DVD, un sintonizador satelital, un sintonizador de televisión por cable, etc., establezca "CTRL HDMI" en "OFF" en el menú AMP del sistema (página 42).

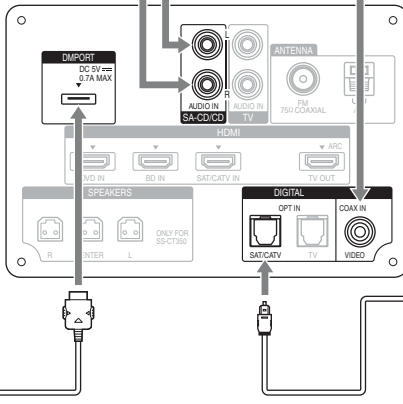
Otros componentes de audio, etc.



Reproductor de DVD, etc.



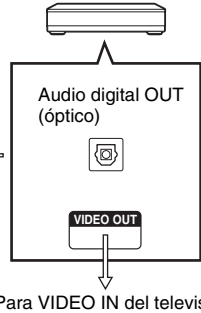
Parte posterior del altavozpotenciador de graves



Adaptador DIGITAL MEDIA PORT

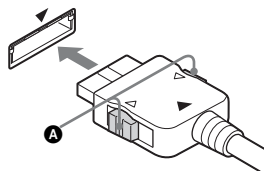
Cable digital óptico (no suministrado)

Sintonizador satelital o sintonizador de televisión por cable, etc. sin una toma HDMI



### Notas

- No conecte ni desconecte el adaptador DIGITAL MEDIA PORT mientras el sistema está encendido.
- Cuando conecte el adaptador DIGITAL MEDIA PORT, asegúrese de que el conector esté insertado con la marca de la flecha orientada hacia la marca de la flecha en la toma DMPORT. Para desconectar el adaptador DIGITAL MEDIA PORT, mantenga presionado **A** y luego tire del conector.

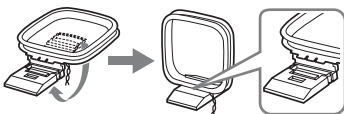


# Cómo conectar la antena (aérea)

## Cómo conectar la antena cerrada de AM

La forma y la longitud de la antena (aérea) está diseñada para recibir señales de AM. No desensamble ni enrolle la antena (aérea).

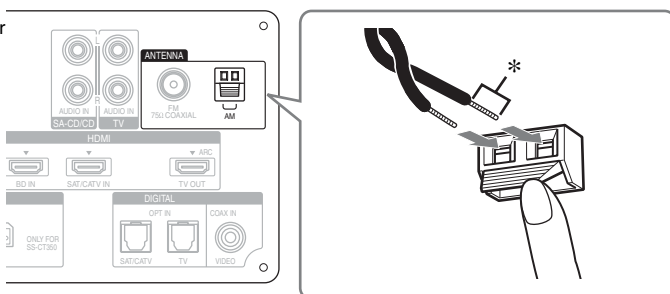
- 1** Retire sólo la parte cerrada del estante de plástico.
- 2** Configure la antena cerrada de AM.



- 3** Conecte los cables a los terminales de la antena de AM (aérea).

Mientras ejerce presión hacia abajo con el sujetador del terminal, inserte la parte (\*) de los cables. Los cables pueden conectarse a cualquiera de los terminales.

Parte posterior del altavoz potenciador de graves



### Nota

- No coloque la antena cerrada de AM cerca del sistema o de otro componente AV, dado que podría ocasionar ruidos.

### Sugerencia

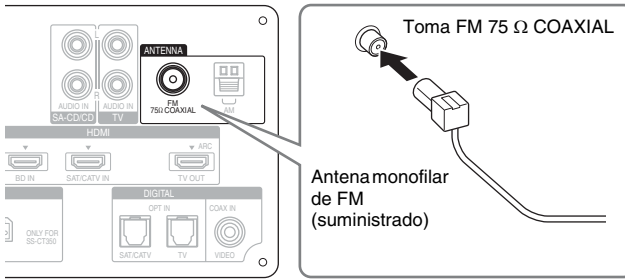
- Ajuste la dirección de la antena cerrada de AM para obtener un mejor sonido de transmisión de la señal de AM.

- 4** Asegúrese de que la antena cerrada de AM esté conectada firmemente al tirar suavemente del cable.

## Cómo conectar la antena monofilar de FM

Conecte la antena monofilar de FM a la toma FM 75 Ω COAXIAL.

Parte posterior del altavoz potenciador de graves

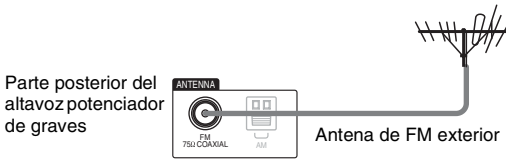


### Notas

- Asegúrese de extender completamente la antena monofilar de FM.
- Luego de conectar la antena monofilar de FM, manténgala en una posición lo más horizontal posible.
- No utilice la antena monofilar de FM mientras está atada.
- Inserte toda la antena monofilar de FM firmemente en el terminal.

### Sugerencia

- Si la recepción de la señal de FM es deficiente, utilice un cable coaxial de 75 ohmios (no suministrado) para conectar el altavoz potenciador de graves a una antena de FM exterior como se muestra a continuación.



## Cómo conectar un cable de alimentación de ca

Antes de conectar el cable de alimentación de ca del sistema a una toma de pared, conecte todos los demás componentes y el televisor al sistema.

### Notas

- Luego de conectar el cable de alimentación de ca, espere aproximadamente 20 segundos antes de encenderlo presionando I/O.
- Conecte el sistema a una toma de ca de fácil acceso. En caso de percibir alguna anomalía en el sistema, desconecte inmediatamente el enchufe del cable de alimentación de la toma de ca.

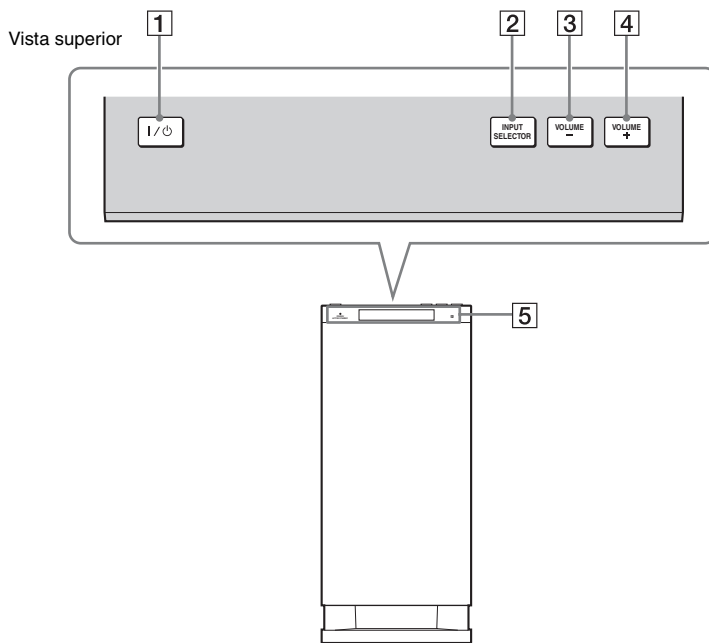
## Cómo configurar la salida de sonido del componente conectado

Para disfrutar del sonido en formato multicanal (DTS, Dolby Digital, LPCM multicanal) es necesario que configure la salida de audio del componente afectado. Ajuste el componente conectado para que emita sonido en formato multicanal. Para obtener más detalles sobre la configuración de salida de audio, consulte el Manual de instrucciones que se suministra con el componente conectado.

# Índice de componentes y controles

Para obtener más información, consulte las páginas indicadas entre paréntesis.

## Altavoz potenciador de graves



**1** I/⏻ (encendido/en espera)

**2** INPUT SELECTOR

Presione este botón para seleccionar la fuente de entrada para reproducir.

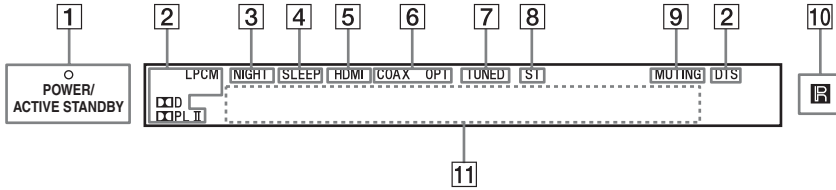
Cada vez que presiona el botón, la fuente de entrada cambia cíclicamente de la siguiente manera: TV → BD → DVD → SAT/CATV → VIDEO → SA-CD/CD → TUNER FM → TUNER AM → DMPORT → TV.....

**3** VOLUME -

**4** VOLUME +

**5** Visor del panel frontal

## Visor del panel frontal (altavoz potenciador de graves)



### 1 Indicador POWER/ACTIVE STANDBY

Se enciende de la siguiente manera:

Verde: el sistema está encendido.

Ámbar: sólo los componentes HDMI del sistema están encendidos (la función Control por HDMI está activada).

Sin luz: el sistema está apagado.

#### Nota

- La luz de color ámbar se apaga 30 segundos después de apagado el televisor. Sin embargo, si establece "PASS THRU" en "ON" en el menú AMP, el indicador se mantiene de color ámbar aun cuando apague el televisor.

### 2 Indicadores de formato de audio

Se encienden en función del formato de audio que funciona como entrada del sistema.

D: Dolby Digital

PLII: Dolby Pro Logic II

LPCM: PCM lineal

DTS

### 3 NIGHT (página 54)

Se enciende en NIGHT MODE.

### 4 SLEEP (página 55)

Parpadea cuando el temporizador de apagado está activo.

### 5 HDMI (página 25)

Se enciende cuando se utilizan los componentes HDMI o cuando una señal ARC funciona como señal del sistema mientras el televisor está seleccionado como fuente de entrada.

### 6 COAX/OPT

Se enciende en función del cable que está utilizando.

### 7 TUNED (página 36)

Se enciende cuando se sintoniza una emisora.

### 8 ST (página 36)

Se enciende cuando se recibe un programa estéreo.

### 9 MUTING

Se enciende cuando se apaga el sonido.

### 10 Sensor del mando a distancia

### 11 Área de visualización de mensajes

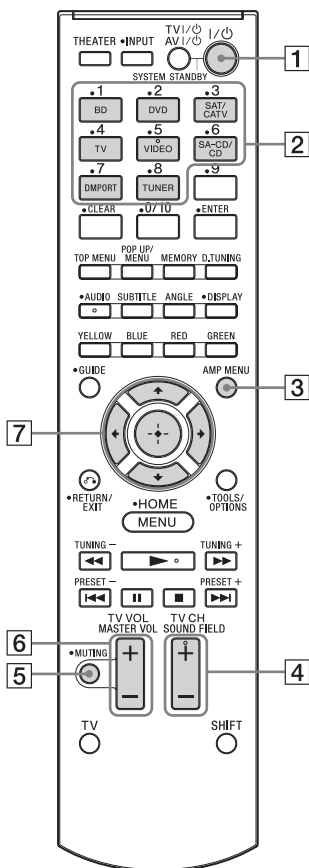
Se muestra el volumen, la fuente de entrada seleccionada y la señal de entrada de audio, etc.

## Mando a distancia

Esta sección describe el funcionamiento del botón del altavoz y el altavoz potenciador de graves. Consulte la página 47 para obtener detalles sobre el funcionamiento de los componentes conectados.

### Nota

- Apunte con el mando a distancia orientado hacia el sensor del mando a distancia (R) del altavoz potenciador de graves.



\* Los botones 5, ►, AUDIO y SOUND FIELD + tienen un punto táctil. Utilícelo como guía durante el funcionamiento.

### 1 I/⏻ (encendido/en espera)

### 2 Botones de entrada

Presione uno de los botones para seleccionar el componente que desea utilizar.

### 3 AMP MENU (página 52)

### 4 SOUND FIELD +/- (página 40)

### 5 MUTING

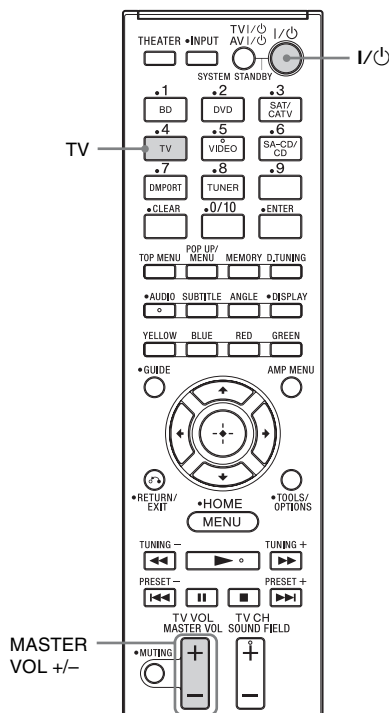
### 6 MASTER VOL +/-

Presione este botón para ajustar el volumen.

### 7 ←, ↑, ↓, → ⊕

Presione ←, ↑, ↓, → para seleccionar los elementos del menú. A continuación, presione ⊕ para ingresar la selección.

## Cómo disfrutar del televisor





# 1 Encienda el televisor y elija un programa.

Consulte el Manual de instrucciones de su televisor para conocer más detalles.

# 2 Encienda el sistema.

# 3 Presione el botón TV del mando a distancia.

# 4 Ajuste el volumen con los botones MASTER VOL +/-.

### Sugerencia

- Es posible que el sonido se emita desde el altavoz del televisor. En este caso, baje el volumen del altavoz del televisor al mínimo.

## Si está utilizando "BRAVIA" Sync (Control de audio del sistema)

No es necesario realizar los pasos 2 y 3 que se mencionan anteriormente. Cuando se enciende el televisor, también se enciende el sistema y la fuente de entrada cambia automáticamente.

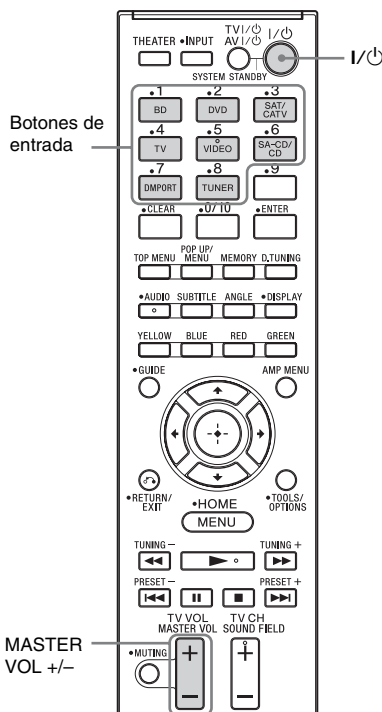
También puede ajustar el volumen del sistema utilizando el mando a distancia del televisor. Si apaga el sistema, el sonido se emitirá desde el altavoz del televisor.

Para obtener detalles sobre la configuración de "BRAVIA" Sync, consulte "Cómo prepararse para "BRAVIA" Sync" (página 41).

### Sugerencia

- El sistema no se enciende cuando se enciende el televisor si la última vez que se apagó el televisor el sonido se estaba emitiendo desde los altavoces del televisor.

## Cómo disfrutar de otros componentes



- 1 Encienda el componente conectado.
- 2 Encienda el sistema.

### 3 Presione los botones de entrada para visualizar la fuente de entrada en el visor del panel frontal.

Fuente de entrada	Componente que se puede reproducir
TV	Televisor, etc. conectado a la toma de TV
BD	Reproductor de Blu-ray Disc, etc. conectado a la toma de BD
DVD	Reproductor de DVD, etc. conectado a la toma de DVD
SAT/CATV	Sintonizador satelital o sintonizador de televisión por cable, etc. conectado a la toma de SAT/CATV
VIDEO	Reproductor de DVD, etc. conectado a la toma de DIGITAL COAX IN VIDEO
SA-CD/CD	Reproductor de CD, etc. conectado a la toma de SA-CD/CD AUDIO IN
TUNER FM*	La radio FM incorporada
TUNER AM*	La radio AM incorporada
DMPORT	Reproductor de audio portátil, etc. conectado a la toma DMPORT

\* Presione TUNER varias veces para alternar entre TUNER FM y TUNER AM.

### 4 Para componentes de vídeo, cambie la entrada del televisor a la entrada HDMI que eligió en el paso 3.

Para conocer más detalles, consulte el Manual de instrucciones de su televisor.

### 5 Ajuste el volumen con los botones MASTER VOL +/-.

#### Sugerencias

- Es posible que el sonido se emita desde el altavoz del televisor. En este caso, baje el volumen del altavoz del televisor al mínimo.
- Incluso si desea reproducir Dolby True HD, Dolby Digital Plus o DTS HD con un componente conectado compatible con estos formatos de sonido, el sistema acepta la señal como Dolby Digital o DTS. Cuando reproduzca estos formatos de sonido de alta calidad, establezca el componente conectado para que emita el sonido en PCM multicanal, en caso de ser posible.

#### Notas

- Cuando conecte la toma de salida de vídeo del adaptador DIGITAL MEDIA PORT a la toma de entrada de vídeo del televisor, establezca “CTRL HDMI” en “OFF” en el menú AMP del sistema (página 42). Las imágenes de un componente conectado al adaptador DIGITAL MEDIA PORT no se mostrarán en el televisor si “CTRL HDMI” está establecido en “ON”.
- Para disfrutar del sonido de un componente sin mostrar las imágenes cuando “CTRL HDMI” está establecido en “ON”, primero apague el televisor y luego vuelva a encender el sistema. Si enciende el sistema en primer lugar y luego apaga el televisor, todos los componentes conectados al televisor se apagarán debido a la función Control por HDMI.

### Si está utilizando “BRAVIA” Sync (Reproducción mediante una pulsación)

No es necesario realizar los pasos 2 a 4 que se mencionan anteriormente. Cuando enciende los componentes conectados, también se encienden el sistema y el televisor y la fuente de entrada cambia automáticamente. También puede ajustar el volumen del sistema utilizando el mando a distancia del televisor.

Para obtener detalles sobre la configuración de “BRAVIA” Sync, consulte “Cómo prepararse para “BRAVIA” Sync” (página 41).

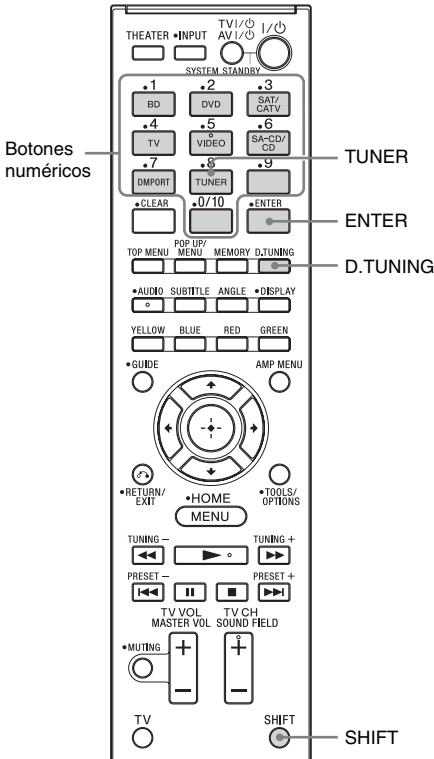
#### Sugerencia

- El sistema no se enciende cuando se enciende el televisor si la última vez que se apagó el televisor el sonido se estaba emitiendo desde los altavoces del televisor.

## Funciones del sintonizador

### Sintonización directa

Puede ingresar la frecuencia de una emisora directamente mediante los botones numéricos.



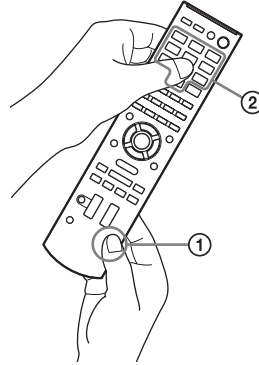
**1** Presione TUNER varias veces hasta que “TUNER FM” o “TUNER AM” aparezca en el visor del panel frontal.

**2** Presione D. TUNING.

**3** Mientras mantiene presionado el botón SHIFT (1), presione los botones numéricos (2) para ingresar la frecuencia.

Ejemplo: 88,00 MHz

Mientras mantiene presionado el botón SHIFT, seleccione 8 → 8 → 0 → 0.



**4** Mientras mantiene presionado el botón SHIFT, presione ENTER.

#### Sugerencia

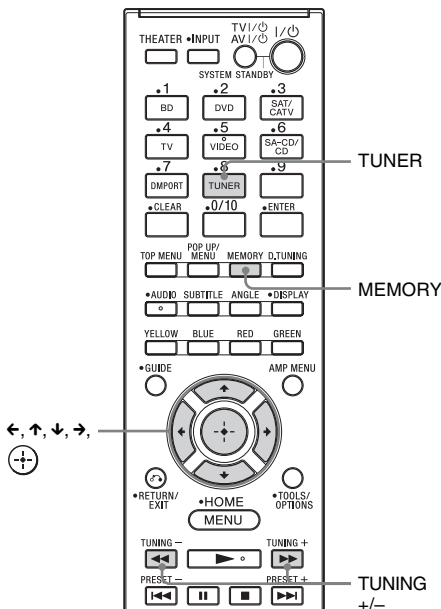
- Si sintonizó una emisora de AM, ajuste la dirección de la antena cerrada de AM para lograr una recepción óptima.

#### Si no puede sintonizar una emisora

Asegúrese de haber ingresado la frecuencia correcta. En caso contrario, repita los pasos 2 a 4. Si aún no puede sintonizar una emisora, es probable que esa frecuencia no se utilice en su área.

## Cómo memorizar emisoras de radio

Se pueden memorizar 20 emisoras de FM y 10 de AM. Antes de realizar la sintonización, asegúrese de bajar el volumen al mínimo.



**1** Presione **TUNER** varias veces hasta que “TUNER FM” o “TUNER AM” aparezca en el visor del panel frontal.

**2** Mantenga presionado **TUNING +/-** hasta que se inicie la exploración automática.

La exploración se detiene cuando el sistema sintoniza una emisora. Aparecerán “TUNED” y “ST” (para programas estéreo de FM) en el visor del panel frontal.

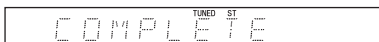
**3** Presione **MEMORY**.

El número de memorización aparece en el visor del panel frontal.

**4** Presione **↑/↓** para seleccionar el número de memorización que desea.

**5** Presione **⊕/⊖**.

Aparecerá “COMPLETE” en el visor del panel frontal y se almacenará la emisora.



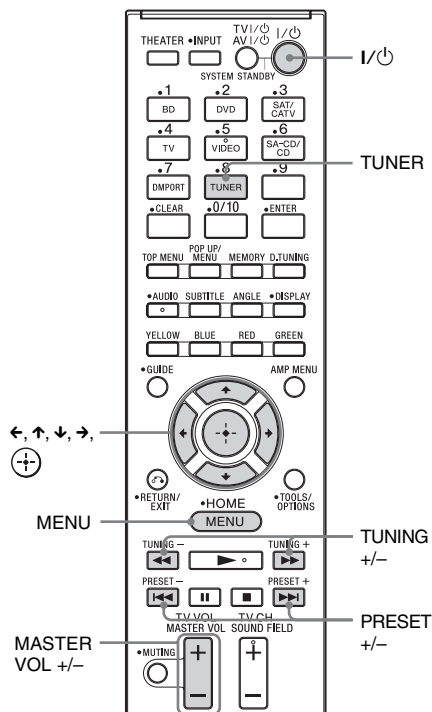
**6** Repita los pasos 2 a 5 para almacenar más emisoras.

## Para cambiar el número de memorización

Repita desde el paso 3.

## Cómo escuchar la radio

En primer lugar, memorice las emisoras de radio en la memoria del sistema (consulte “Cómo memorizar emisoras de radio” (página 36)).



- 1 Presione TUNER varias veces hasta que “TUNER FM” o “TUNER AM” aparezca en el visor del panel frontal.**

Se sintonizará la última emisora sintonizada.


- 2 Presione PRESET +/- varias veces para seleccionar la emisora memorizada.**

Cada vez que presione el botón, el sistema sintonizará una emisora memorizada.

Para seleccionar directamente el número de la emisora memorizada, pulse los botones numéricos mientras mantiene presionado el botón SHIFT.

- 3 Ajuste el volumen con los botones MASTER VOL +/-.**

### Para apagar la radio

Presione  para apagar el sistema o para cambiar a otra función.

### Para escuchar estaciones de radio que no están memorizadas

Utilice la sintonización manual o automática que se indica en el paso 2.


Para la sintonización manual, consulte “Sintonización directa” (página 35).

Para la sintonización automática, mantenga presionado TUNING +/- . La sintonización automática se detiene cuando el sistema sintoniza una emisora. Para detener la sintonización automática mientras está realizándose, presione TUNING +/- .

### Si el sonido de un programa de FM no es claro

Si el sonido de un programa de FM no es claro, seleccione la recepción monoaural. La recepción será de mejor calidad, aunque se perderá el efecto estéreo.

- 1 Presione MENU.**

- 2 Presione  $\uparrow/\downarrow$  varias veces hasta que “FM MODE” aparezca en el visor del panel frontal y, a continuación, presione  o  $\rightarrow$ .**

- 3 Presione  $\uparrow/\downarrow$  para seleccionar “MONO”.**

- STEREO: recepción estéreo.
- MONO: recepción monoaural.

- 4 Presione .**

El ajuste se ha realizado.

- 5 Presione MENU.**

#### Sugerencia

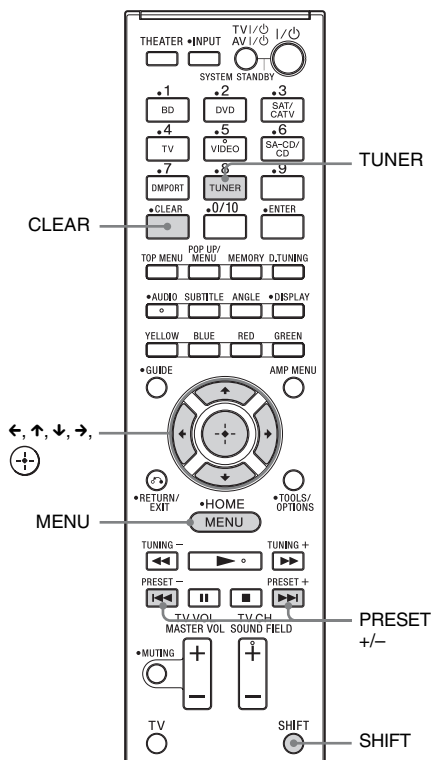
- Para mejorar la recepción, reoriente la antena monofilar de FM (suministrado).

# Cómo asignar un nombre a las emisoras memorizadas

Puede introducir un nombre a las emisoras memorizadas. Estos nombres (por ejemplo, "XYZ") aparecen en el visor del panel frontal cuando se selecciona una emisora.

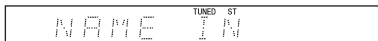
Puede introducir un nombre de 10 caracteres como máximo.

Tenga en cuenta que sólo se puede introducir un nombre para cada emisora memorizada.



- 1 Presione TUNER varias veces hasta que "TUNER FM" o "TUNER AM" aparezca en el visor del panel frontal.**  
Se sintonizará la última emisora sintonizada.

- 2 Presione PRESET +/- varias veces para seleccionar la emisora memorizada para la que desea crear un nombre.**
- 3 Presione MENU.**
- 4 Presione ↑/↓ varias veces hasta que "NAME IN" aparezca en el visor del panel frontal.**



- 5 Presione (+/-).**
- 6 Asigne un nombre mediante ←/↑/↓/→.**

Presione ↑/↓ para seleccionar un carácter y, a continuación, presione → para mover el cursor a la siguiente posición.

Se pueden ingresar letras, números y otros símbolos para el nombre de una emisora de radio.

## Si ingresa un carácter incorrecto

Presione ←/→ varias veces hasta que el carácter que desea cambiar parpadee y, a continuación, presione ↑/↓ para seleccionar el carácter que desee.

Para eliminar el carácter, presione ←/→ varias veces para que el carácter que desea eliminar parpadee y, a continuación, presione CLEAR mientras mantiene presionado el botón SHIFT.

- 7 Presione (+/-).**  
Aparecerá "COMPLETE" en el visor del panel frontal y se almacenará el nombre de la emisora.



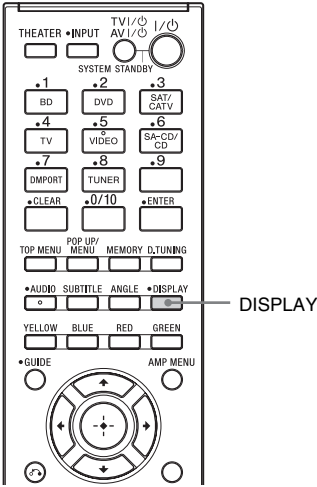
- 8 Presione MENU.**

### Sugerencia

- Puede cambiar la frecuencia en el visor de panel frontal al presionar DISPLAY varias veces.

# Cómo visualizar el nombre de la emisora o la frecuencia en el visor del panel frontal

Cuando el sistema está ajustado en “TUNER FM” o “TUNER AM”, puede verificar la frecuencia a través del visor del panel frontal.



## Presione DISPLAY.

Cada vez que presiona DISPLAY, el nombre de la emisora y la frecuencia alternan en el visor del panel frontal.

### Sugerencias

- Si ingresó el nombre de una emisora memorizada, se mostrará el nombre de esa emisora.
- Luego de algunos segundos, la frecuencia en el visor de panel frontal cambia al nombre de la emisora.

# Cómo cambiar el intervalo de sintonización de AM

El intervalo de sintonización de AM se puede establecer en 10 kHz o 9 kHz.

- 1 Sintonice una transmisión de AM.**
- 2 Presione I/O.**

El sistema ingresa en modo en espera.

- 3 Mientras mantiene presionado INPUT SELECTOR, presione I/O del subwoofer.**

El intervalo cambia al que se muestra en el visor del panel frontal: “AM 9K STEP” o “AM10K STEP”.

Si desea volver al intervalo anterior, realice los pasos 1 a 3 nuevamente.

### Nota

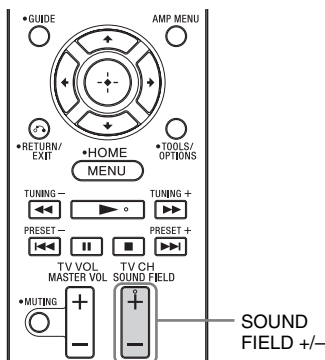
- Si cambia el intervalo, se borrarán todas las estaciones de AM preestablecidas.

## Función de sonido envolvente

# Cómo disfrutar del efecto de sonido envolvente

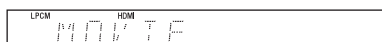
## Cómo seleccionar el campo acústico

Este sistema puede crear sonido envolvente multicanal. Puede seleccionar uno de los campos acústicos optimizados del sistema que se programaron anteriormente.



### Presione SOUND FIELD +/-

El campo acústico actual aparece en el visor del panel frontal.



Cada vez que presiona SOUND FIELD +/-, el visor cambia cíclicamente de la siguiente manera:

STANDARD ↔ MOVIE ↔ DRAMA ↔  
NEWS ↔ SPORTS ↔ GAME ↔ MUSIC  
↔ 2CH STEREO ↔ P.AUDIO ↔  
STANDARD...

## Campos acústicos disponibles

Campo acústico	Efecto
STANDARD*	Se adapta a varias fuentes.
MOVIE*	Recrea sonido realista y de alta potencia, además de diálogos claros.
DRAMA*	Ideal para telenovelas.
NEWS*	Produce claramente la voz de presentador.
SPORTS*	Produce claramente los comentarios jugada tras jugada y sonidos realistas con efectos de sonido envolvente, como ovaciones, etc.
GAME*	Produce sonido realista y de alta potencia, ideal para videojuegos.
MUSIC*	Ideal para programas de música o vídeos de música en Blu-ray Disc/DVD.
2CH STEREO	Ideal para CD de música.
P.AUDIO**	Ideal para reproducir fuentes de audio portátiles.

\* Estos campos acústicos no están disponibles cuando se selecciona "DMPORT" al presionar INPUT SELECTOR.

\*\* "P.AUDIO" aparece sólo cuando se selecciona "DMPORT".

### Sugerencias

- Se puede establecer un campo acústico diferente para cada fuente de entrada.
- El ajuste del campo acústico predeterminado para "DMPORT" es "P.AUDIO" y para otras fuentes es "STANDARD".
- Cuando se selecciona "DMPORT" al presionar INPUT SELECTOR, el altavoz central no produce sonidos.
- Es posible que algunos altavoces no produzcan sonido en función de la señal de entrada, como los programas monoaurales.
- Cuando se selecciona "2CH STEREO" o "P.AUDIO", el altavoz central no produce sonidos.
- Si presiona el botón THEATER en el mando a distancia de un televisor Sony cuando "CTRL HDMI" está establecido en "ON", el campo acústico cambia a "MOVIE" (no se incluyen algunos televisores Sony).



## Características de “BRAVIA” Sync

### ¿Qué es “BRAVIA” Sync?

Cuando se conectan componentes Sony que son compatibles con “BRAVIA” Sync a través de un cable HDMI (no suministrado), el funcionamiento se simplifica de la siguiente manera:

- Reproducción mediante una pulsación (página 43)
- Control de audio del sistema (página 43)
- Apagado del sistema (página 44)

“BRAVIA” Sync es compatible con televisores Sony, reproductores de Blu-ray Disc/DVD, amplificadores AV, etc. y con la función Control por HDMI.

CONTROL POR HDMI es una función estándar de control mutuo utilizada por CEC (control de productos electrónicos de consumo, por su sigla en inglés) para HDMI (High-Definition Multimedia Interface).

### La función Control por HDMI no funcionará correctamente en los siguientes casos:

- Si conecta el sistema a componentes que no corresponden a la función Control por HDMI.
- Si conecta el sistema y los componentes mediante otra conexión que no sea HDMI.
- Si conecta componentes que no son Sony compatibles con la función Control por HDMI.

Para este sistema, le recomendamos que conecte productos que exhiban “BRAVIA” Sync.

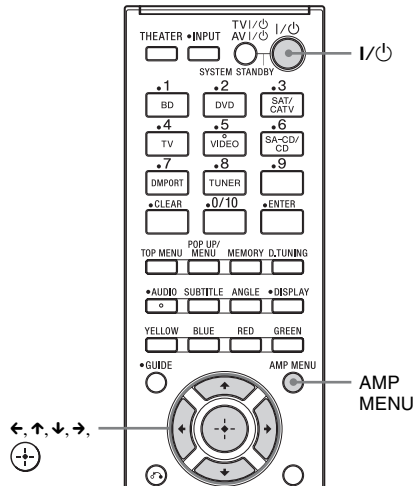
#### Nota

- El funcionamiento de Control por HDMI depende de los componentes conectados. Consulte el Manual de instrucciones de los componentes.

## Cómo prepararse para “BRAVIA” Sync

Para utilizar “BRAVIA” Sync, active la función Control por HDMI para los componentes conectados.

Cuando conecta un televisor Sony con la función Control por HDMI, la función Control por HDMI para el sistema y los componentes conectados se puede ajustar simultáneamente mediante la función Control por HDMI del televisor.



- 1** Asegúrese de que el sistema esté conectado al televisor y a los componentes conectados mediante cables HDMI (no suministrados).
- 2** Encienda el sistema, el televisor y los componentes conectados.
- 3** Seleccione la entrada del sistema y la entrada HDMI del televisor (SAT/CATV, DVD, BD) de manera que se muestre una imagen del componente conectado.

#### 4 Observe la lista de los componentes HDMI en el menú del televisor y active la función Control por HDMI para los componentes conectados.

La función Control por HDMI para el sistema y los componentes conectados se activan simultáneamente.

Una vez finalizados los ajustes, aparecerá "COMPLETE" en el visor del panel frontal.

#### Nota

- Para conocer más detalles sobre los ajustes del televisor y los componentes conectados, consulte el Manual de instrucciones.

### Si el mensaje "COMPLETE" no aparece después de realizar los pasos mencionados anteriormente

Active la función Control por HDMI para el sistema y los componentes conectados por separado.

- 1 Presione AMP MENU.
- 2 Presione ↑/↓ varias veces hasta que aparezca "SET HDMI" y, a continuación, presione (+) o →.
- 3 Presione ↑/↓ varias veces hasta que aparezca "CTRL HDMI" y, a continuación, presione (+) o →.
- 4 Presione ↑/↓ para seleccionar "ON".
- 5 Presione AMP MENU.

Se desactivará el menú AMP. La función Control por HDMI está activada.

- 6 Seleccione la entrada del sistema conectado al componente para el que desea utilizar la función Control por HDMI (SAT/CATV, DVD, BD).

- 7 Active la función Control por HDMI del componente conectado.

Para obtener más detalles sobre la configuración del componente conectado, consulte el Manual de instrucciones del componente.

### Si agrega o vuelve a conectar un componente

Realice los pasos de "Cómo prepararse para "BRAVIA" Sync" (página 41) y "Si el mensaje "COMPLETE" no aparece después de realizar los pasos mencionados anteriormente" nuevamente.

#### Notas

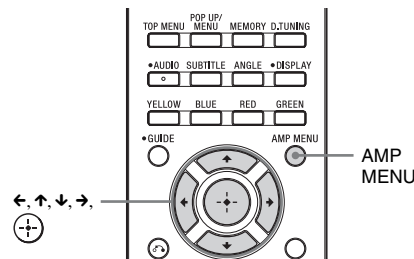
- Si la función Control por HDMI para el componente conectado no se puede establecer simultáneamente al configurar la función "CONTROL POR HDMI" del televisor, establezca la función Control por HDMI a través del menú del componente conectado.
- Para conocer más detalles sobre los ajustes del televisor y los componentes conectados, consulte el Manual de instrucciones del televisor y los componentes.

#### Sugerencia

- La configuración predeterminada de la función Control por HDMI del sistema es "ON".

### Para activar o desactivar la función Control por HDMI

Desactive la función Control por HDMI cuando conecte los componentes no compatibles con "BRAVIA" Sync o aquellos componentes que no tienen tomas HDMI, etc.



- 1 Presione AMP MENU.
- 2 Presione ↑/↓ varias veces hasta que aparezca "SET HDMI" y, a continuación, presione (+) o →.
- 3 Presione ↑/↓ para seleccionar "CTRL HDMI" y, a continuación, presione (+) o →.
- 4 Presione ↑/↓ para seleccionar "OFF".

## 5 Presione AMP MENU.

Se desactivará el menú AMP.

## Cómo disfrutar de Blu-ray Disc/DVD

*(Reproducción mediante una pulsación)*

**Reproduce un componente conectado.**

El televisor se enciende automáticamente y cambia a la entrada HDMI correspondiente.

### Sugerencia

- Aunque el sistema esté desactivado (modo en espera activo), la señal HDMI se enviará desde el componente conectado al televisor a través de la conexión HDMI. Puede disfrutar de la imagen y el sonido del componente en el televisor.

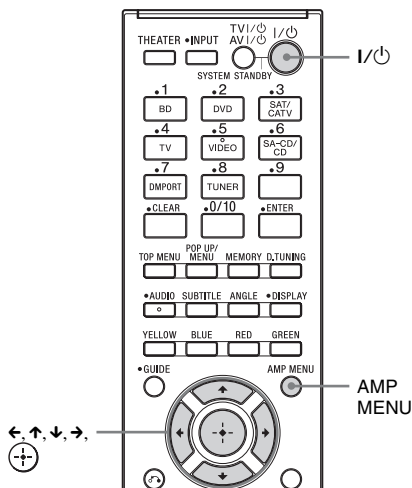
### Nota

- Según el modelo del televisor, es posible que no se pueda emitir el contenido.

## Cómo disfrutar del sonido del televisor desde el sistema

*(Control de audio del sistema)*

Puede disfrutar del sonido del televisor desde los altavoces del sistema mediante una simple operación. Puede ajustar el volumen y apagar el sonido del sistema mediante el mando a distancia del televisor. Para conocer más detalles, consulte el Manual de instrucciones del televisor.



**Presione I/Power para encender el sistema.**

El sonido se emite desde el altavoz del sistema. Cuando se apaga el sistema, el sonido vuelve a emitirse desde el altavoz del televisor.

### Notas

- Si se enciende el televisor antes de encender el sistema, el sonido del televisor no se emitirá durante un momento.
- Según el modelo del televisor, cuando se ajusta el volumen del sistema mediante el mando a distancia del televisor, el nivel de volumen aparece en la pantalla del televisor, de la misma manera que aparecería cuando se ajusta el volumen del televisor. En este caso, el nivel de volumen que aparece en la pantalla del televisor y en el visor del panel frontal puede diferir.

## Cómo utilizar la función Límite de volumen

Cuando la función Control de audio del sistema está activa y el método de salida pasa del altavoz del televisor a los altavoces del sistema automáticamente, es posible que el sonido se emita con un sonido alto en función del nivel de volumen del sistema. Para evitar esto, limite el nivel de volumen.

**1 Presione AMP MENU.**

**2** Presione  $\uparrow/\downarrow$  varias veces hasta que aparezca “SET HDMI” y, a continuación, presione  $\oplus$  o  $\rightarrow$ .

**3** Presione  $\uparrow/\downarrow$  varias veces hasta que aparezca “VOL LIMIT” y, a continuación, presione  $\oplus$  o  $\rightarrow$ .

**4** Presione  $\uparrow/\downarrow$  para seleccionar el límite de volumen que desea.

El límite de volumen cambia de la siguiente manera:

MAX  $\leftrightarrow$  49  $\leftrightarrow$  48 ... 2  $\leftrightarrow$  1  $\leftrightarrow$  MIN

**5** Presione AMP MENU.

Se desactivará el menú AMP.

#### Notas

- Esta función sólo está disponible cuando la función Control por HDMI está activada.
- Esta función no está disponible cuando el método de salida pasa de los altavoces del sistema al altavoz del televisor.

#### Sugerencias

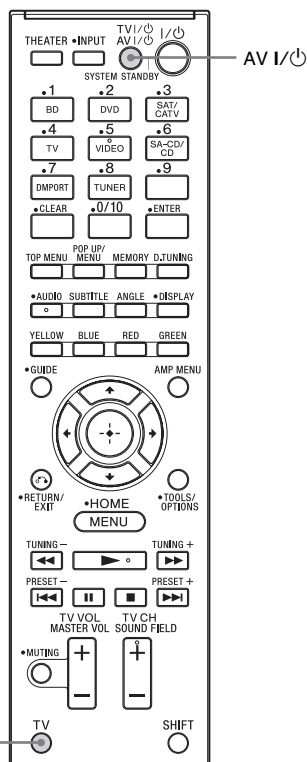
- Le recomendamos que establezca el límite de volumen un poco más bajo que el volumen que escucha habitualmente.
- Independientemente del límite de volumen que establezca, puede utilizar los botones VOLUME +/- del sistema y los botones MASTER VOL +/- del mando a distancia.
- Si no desea limitar el nivel de volumen, seleccione “MAX”.

## Apague el sistema, el televisor y los componentes conectados

### (Apagado del sistema)

Si apaga el televisor mediante el botón de encendido del mando a distancia del televisor, el sistema y los componentes conectados se apagarán automáticamente.

Si apaga el televisor con el mando a distancia del televisor, el sistema y los componentes conectados también se apagarán automáticamente.



TV  
(amarillo)

**Mientras mantiene presionado el botón TV (amarillo), presione AV I/O.**

Se apagará el televisor, el sistema y los componentes conectados.

#### Nota

- Según el estado, es posible que los componentes conectados no se apaguen. Para conocer más detalles, consulte el Manual de instrucciones de los componentes conectados.

# Cómo usar la función de ahorro de energía

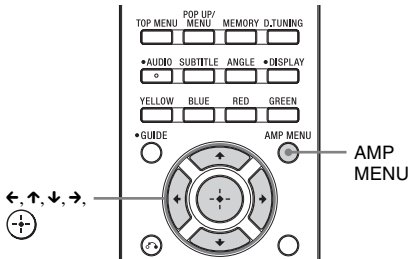
## (HDMI PASS THRU)

Cuando utiliza “BRAVIA” Sync, puede disfrutar de la imagen y el sonido de un Blu-ray Disc, etc., en el televisor aun si el sistema se encuentra en el modo en espera. El consumo de energía en el modo en espera también se reduce automáticamente cuando el televisor está apagado si “PASS THRU” está configurado en “AUTO”.

La configuración predeterminada es “AUTO”.

### Nota

- Esta función está disponible solamente cuando la función “CTRL HDMI” está configurada en “ON”.



- 1** Presione AMP MENU.
- 2** Presione ↑/↓ varias veces hasta que aparezca “SET HDMI” y, a continuación, presione (+/-) o →.
- 3** Presione ↑/↓ para seleccionar “PASS THRU” y, a continuación, presione (+/-) o →.

- 4** Presione ↑/↓ para seleccionar esta configuración.

- **AUTO:** cuando el televisor está encendido mientras el sistema está en el modo en espera, el sistema emite señales HDMI desde la toma de salida HDMI del sistema. Recomendamos esta configuración si utiliza un televisor compatible con “BRAVIA” Sync. Esta configuración ahorra energía en el modo en espera comparada con la configuración “ON”.
- **ON:** cuando el sistema está en el modo en espera, el sistema continuamente emite señales HDMI desde la toma de salida HDMI del sistema.

### Nota

- Cuando se selecciona “AUTO”, la imagen y el sonido tardan más tiempo en aparecer en el televisor que cuando se selecciona “ON”.

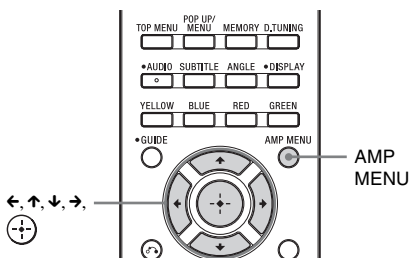
- 5** Presione AMP MENU.

Se desactivará el menú AMP.

## Para apagar la función Audio Return Channel

Si el televisor es compatible con la función Audio Return Channel (ARC), una conexión con cable HDMI también envía una señal de audio digital desde el televisor. No es necesario que realice una conexión de audio por separado para escuchar el sonido del televisor.

Si no utiliza la función ARC, conecte el sistema mediante un cable digital óptico y establezca “ARC” en “OFF” en el menú AMP.



- 1 Presione AMP MENU.**
- 2 Presione ↑/↓ varias veces hasta que aparezca “SET HDMI” y, a continuación, presione (⬆) o →.**
- 3 Presione ↑/↓ varias veces hasta que aparezca “ARC” y, a continuación, presione (⬆) o →.**
- 4 Presione ↑/↓ para seleccionar “OFF”.**
  - ON: se activa la función ARC.
  - OFF: se desactiva la función ARC.
- 5 Presione AMP MENU.**

Se desactivará el menú AMP.

### Nota

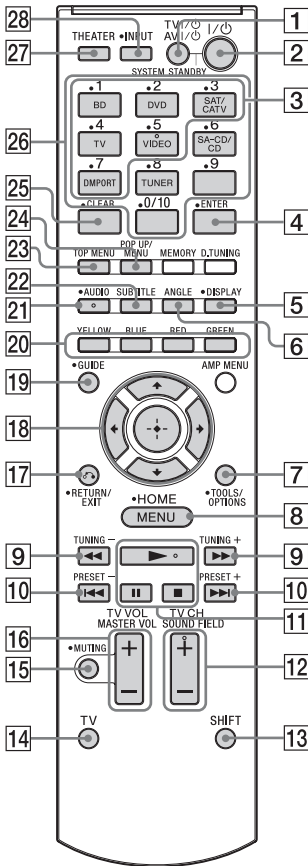
- Cuando la función “CTRL HDMI” está establecida en “OFF”, la función ARC y su configuración no están disponibles.

## Ajustes avanzados

# Cómo controlar los componentes de Sony con el mando a distancia

Puede controlar los componentes de Sony conectados mediante el mando a distancia de este sistema.

Es posible que no pueda seleccionar algunas funciones según el modelo del equipo. En ese caso, selecciónelas mediante el mando a distancia suministrado con el equipo.



\* Los botones 5, **▶**, AUDIO y SOUND FIELD + tienen un punto táctil. Utilícelo como guía durante el funcionamiento.

## Para controlar el componente

**1** Presione uno de los botones de entrada **3** (BD, DVD, SAT/CATV, TV, VIDEO o DMPORT) para seleccionar el componente que desea operar.

El componente asignado al botón de entrada seleccionado se convierte en operable.

**2** Consulte la siguiente tabla, presione el botón correspondiente para la operación.

## Operaciones comunes

Botón del mando a distancia	Función
<b>1</b> TV I/⏻ AV I/⏻ (encendido/en espera)	Enciende y apaga el televisor Sony o los componentes de audio/vídeo que debe controlar el mando a distancia. Presione <b>1</b> TV I/⏻/AV I/⏻ y <b>2</b> I/⏻ al mismo tiempo para apagar el sistema y todos los componentes que debe controlar con el mando a distancia (SYSTEM STANDBY).
<b>4</b> ENTER	Ingresa la selección. Para el televisor, mientras mantiene presionado <b>14</b> TV (amarillo), presione <b>4</b> ENTER. Para los demás componentes, mientras mantiene presionado <b>13</b> SHIFT, presione <b>4</b> ENTER.
<b>18</b> ←, ↑, ↓, →, ⊕	Selecciona un elemento del menú e introduce la selección.

continuación


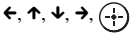
Botón del mando a distancia	Función
<b>20</b> Botones de color	Muestra una guía de funcionamiento en la pantalla del televisor cuando los botones de color están disponibles. Siga la guía de funcionamiento para realizar una determinada operación.
<b>25</b> CLEAR	Borra la selección. Para el televisor, mientras mantiene presionado <b>14</b> TV (amarillo), presione <b>25</b> CLEAR. Para los demás componentes, mientras mantiene presionado <b>13</b> SHIFT, presione <b>25</b> CLEAR.
<b>26</b> Botones numéricos	Selecciona los canales y las pistas directamente. Para el televisor, mantenga presionado el botón <b>14</b> TV (amarillo) y presione los botones numéricos para seleccionar los canales. Para los demás componentes, mantenga presionado el botón <b>13</b> SHIFT y presione los botones numéricos para seleccionar los canales o las pistas.

## Para controlar un televisor

Mientras mantiene presionado el botón

**14** TV (amarillo), presione los botones con un punto o una marca de color amarillo.

Botón del mando a distancia	Función
<b>5</b> DISPLAY	Muestra el número de canal actual, etc.
<b>7</b> TOOLS/ OPTIONS	Le permite acceder a diversas opciones de visualización y cambiar/realizar ajustes según la fuente y el formato de la pantalla.

Botón del mando a distancia	Función
<b>8</b> MENU/HOME	Le permite seleccionar los canales y las fuentes de entrada además de cambiar los ajustes para su televisor.
<b>12</b> TV CH +/-	Selecciona el canal siguiente (+) o el anterior (-).
<b>15</b> MUTING	Apaga el sonido.
<b>16</b> TV VOL +/-	Ajusta el volumen.
<b>17</b>  RETURN/EXIT	Vuelve a la pantalla anterior de cualquier menú que se haya mostrado.
<b>18</b> 	Selecciona un elemento del menú e introduce la selección.
<b>19</b> GUIDE	Muestra la guía cuando está mirando canales analógicos o digitales.
<b>21</b> AUDIO	Selecciona la pista y el formato de audio.
<b>27</b> THEATER	Automáticamente establece los ajustes de imagen óptimos para mirar películas, como ajustes de luces bajas, cuando conecta un televisor Sony que es compatible con la función del botón THEATER. Además, el audio cambia automáticamente a la salida de audio de este sistema al conectar el televisor y el sistema con la conexión HDMI. También se activa la función Control por HDMI.
<b>28</b> INPUT	Selecciona la entrada.



## Para controlar el grabador de DVD/grabador de Blu-ray Disc

Botón del mando a distancia	Función
6 ANGLE	Cambia a otros ángulos de visualización cuando se graban varios ángulos en un DVD VIDEO.
8 MENU/HOME	Muestra el menú.
9 ◀◀/▶▶	Cuando se presiona durante la reproducción, permite avanzar o retroceder rápidamente el disco.
10 ◀◀/▶▶	Permite avanzar al comienzo del capítulo o pista anterior o siguiente.
11 ▶ (reproducir)/ ⏸ (pausar, volver a presionar y reanudar la reproducción normal)/■ (detener)	Botones del modo de reproducción.
18 ←, ↑, ↓, →, (+/-)	Selecciona un elemento del menú e introduce la selección.
21 AUDIO	Selecciona la pista y el formato de audio.
22 SUBTITLE	Selecciona el idioma de los subtítulos cuando se graban subtítulos multilingües en un BD-ROM/DVD VIDEO.
23 TOP MENU	Muestra el menú principal/ menú del disco.
24 POP UP/MENU	Muestra el menú desplegable de BD-ROM o el menú del DVD.

## Para controlar el reproductor de DVD/reproductor de Blu-ray Disc

Botón del mando a distancia	Función
6 ANGLE	Cambia a otros ángulos de visualización cuando se graban varios ángulos en un DVD VIDEO.
8 MENU/HOME	Muestra el menú.

Botón del mando a distancia	Función
9 ◀◀/▶▶	Cuando se presiona durante la reproducción, permite avanzar o retroceder rápidamente el disco.
10 ◀◀/▶▶	Permite avanzar al comienzo del capítulo o pista anterior o siguiente.
11 ▶ (reproducir)/ ⏸ (pausar, volver a presionar y reanudar la reproducción normal)/■ (detener)	Botones del modo de reproducción.
18 ←, ↑, ↓, →, (+/-)	Selecciona un elemento del menú e introduce la selección.
21 AUDIO	Selecciona la pista y el formato de audio.
22 SUBTITLE	Selecciona el idioma de los subtítulos cuando se graban subtítulos multilingües en un BD-ROM/DVD VIDEO.
23 TOP MENU	Muestra el menú principal/ menú del disco.
24 POP UP/MENU	Muestra el menú desplegable de BD-ROM o el menú del DVD.

## Para controlar el conjunto HDD/DVD

Botón del mando a distancia	Función
6 ANGLE	Cambia a otros ángulos de visualización cuando se graban varios ángulos en un DVD VIDEO.
8 MENU/HOME	Muestra el menú.
9 ◀◀/▶▶	Cuando se presiona durante la reproducción, permite avanzar o retroceder rápidamente el disco.
10 ◀◀/▶▶	To specify the previous or next chapter or track.

Botón del mando a distancia	Función
11 ► (reproducir)/ ⏸ (pausar, volver a presionar y reanudar la reproducción normal)/■ (detener)	Botones del modo de reproducción.
18 ◀, ▶, ⬇, ⬆, ⬇, ⬆, Ⓡ	Mueve el elemento resaltado (cursor) y lo selecciona.
21 AUDIO	Selecciona la pista y el formato de audio.
22 SUBTITLE	Selecciona el idioma de los subtítulos cuando se graban subtítulos multilingües en un BD-ROM/DVD VIDEO.
23 TOP MENU	Muestra el menú principal/menú del disco.
24 POP UP/MENU	Muestra el menú desplegable de BD-ROM o el menú del DVD.

## Para controlar el SAT

Botón del mando a distancia	Función
8 MENU/HOME	Muestra el menú.
18 ◀, ▶, ⬇, ⬆, ⬇, ⬆, Ⓡ	Selecciona un elemento del menú e introduce la selección.
19 GUIDE	Muestra el menú de la guía.

### Nota

- Las explicaciones anteriores sólo funcionan como ejemplo. Según el tipo de componente, es posible que no se puedan ejecutar las operaciones anteriores o que se ejecuten de una manera diferente de la que se describe.

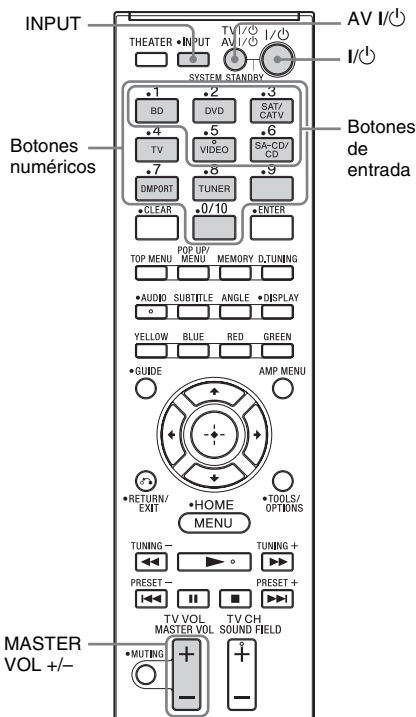
## Para controlar el componente conectado mediante la conexión DMPORT

Botón del mando a distancia	Función
5 DISPLAY	Presione este botón para seleccionar los ajustes del visor del panel frontal.
8 MENU	Muestra el menú.
9 ◀◀/▶▶	Presione este botón para avanzar o retroceder rápidamente el disco cuando está presionado durante la reproducción.
10 ◀◀/▶▶	Presione este botón para omitir capítulos.
11 ► (reproducir)/⏸ (pausar)/■ (detener)	Botones del modo de reproducción.
17 ↶ RETURN	Vuelve a la pantalla anterior de cualquier menú que se haya mostrado.
18 ◀, ▶, ⬇, ⬆, ⬇, ⬆, Ⓡ	Selecciona un elemento del menú e introduce la selección.

## Cómo cambiar las asignaciones de los botones de entrada del mando a distancia

Puede cambiar los ajustes de fábrica de los botones de entrada para que se adapten a los componentes en su sistema. Por ejemplo, si conecta un reproductor de Blu-ray Disc a la toma de DVD en el sistema, puede establecer el botón DVD del mando a distancia para controlar el reproductor de Blu-ray Disc.

No se pueden cambiar las asignaciones del mando a distancia para TV, DMPORT y TUNER.



### 1 Mantenga presionado el botón de entrada asignación desea cambiar y luego mantenga presionado AV I/⏻ al mismo tiempo.

Ejemplo: mientras mantiene presionado DVD, presione AV I/⏻.

### 2 Mientras continúa presionando AV I/⏻, suelte el botón de entrada que seleccionó en el paso 1.

Ejemplo: mientras sigue presionando AV I/⏻, suelte DVD.

### 3 Mientras continúa presionando AV I/⏻, consulte la tabla a continuación y presione el botón numérico correspondiente a la categoría que desea.

Ejemplo: mientras sigue presionando AV I/⏻, presione 1.

### 4 Suelte el botón numérico que seleccionó en el paso 3 y, a continuación, suelte AV I/⏻.

Ejemplo: suelte 1 y, a continuación, suelte el botón AV I/⏻.

Ahora puede utilizar el botón DVD para controlar el reproductor de Blu-ray Disc.

## Categorías y botones correspondientes para BD, DVD, SAT/CATV, VIDEO y SA-CD/CD

Categorías	Presione
Reproductor de Blu-ray Disc (modo de comandos BD1) <sup>a)</sup>	1
Grabadora de Blu-ray Disc (modo de comandos BD3)	2
Reproductor de DVD (modo de comandos DVD1)	3
Grabadora de DVD (modo de comandos DVD3) <sup>b)</sup>	4
VCR (modo de comandos VTR3)	5
Reproductor de CD	6
DSS <sup>c)</sup>	7

<sup>a)</sup> Configuración inicial del botón BD. Para obtener detalles sobre la configuración de BD1 o BD3, consulte el Manual de instrucciones que se suministra con el reproductor o la grabadora de Blu-ray Disc.

<sup>b)</sup> Configuración inicial del botón DVD. Las grabadoras de DVD Sony funcionan con una configuración de DVD1 o DVD3. Para conocer más detalles, consulte el Manual de instrucciones suministrado con la grabadora de DVD.

<sup>c)</sup> Configuración inicial del botón SAT/CATV.

## Para borrar todas las asignaciones de los botones del mando a distancia

Mientras mantiene presionado MASTER VOL -, presione I/⏻ e INPUT. A continuación, suelte los botones.

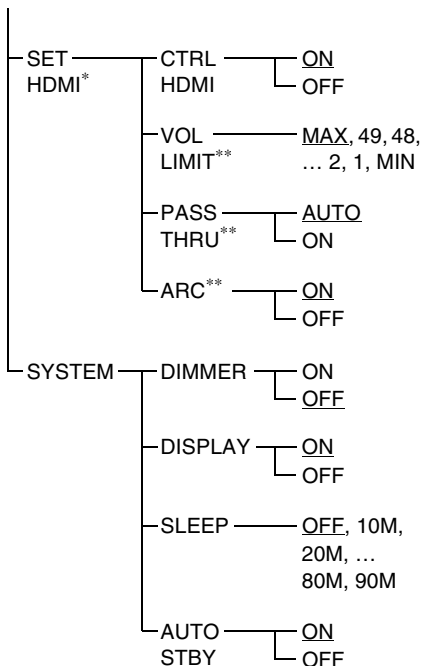
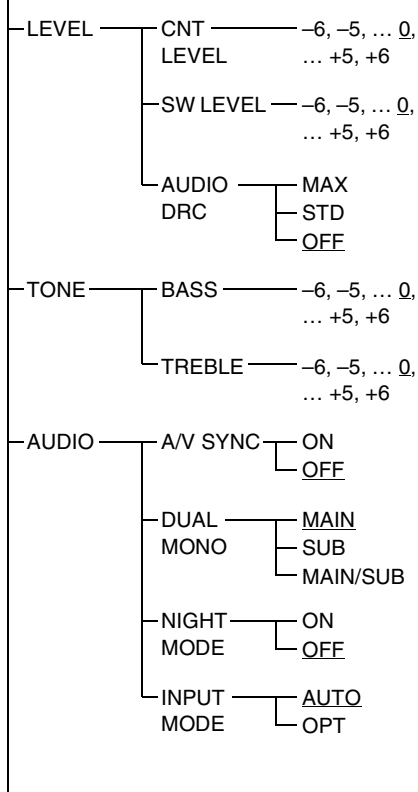
El mando a distancia se restablece a su configuración inicial.

# Configuración y ajustes mediante el menú del amplificador

## Cómo utilizar el menú AMP

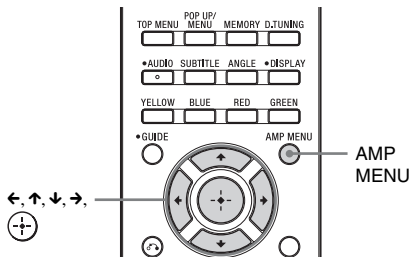
Puede establecer los siguientes elementos con AMP MENU en el mando a distancia. La configuración predeterminada es la que se muestra subrayada.

### AMP MENU



\* Consulte “Características de “BRAVIA” Sync” (página 41).

\*\* Este ajuste aparece solamente cuando la función “CTRL HDMI” está configurada en “ON”.



- 1** Presione AMP MENU para activar el menú AMP.
- 2** Presione ←/↑/↓/→ varias veces para seleccionar el elemento y la configuración.
- 3** Presione AMP MENU para desactivar el menú AMP.

**Sugerencia**

- Estos ajustes se mantienen aun si desconecta el cable de alimentación de ca.

Las siguientes páginas muestran detalles para cada ajuste.

## Cómo ajustar el nivel del altavoz (CNT LEVEL, SW LEVEL)

Puede ajustar el nivel y el balance del altavoz central y del altavoz potenciador de graves.

- 1** Seleccione “LEVEL” en el menú AMP y, a continuación, presione  $\oplus$  o  $\rightarrow$ .
- 2** Seleccione “CNT LEVEL” o “SW LEVEL” y, a continuación, presione  $\oplus$  o  $\rightarrow$ .
  - CNT LEVEL: ajusta el nivel del altavoz central.
  - SW LEVEL: ajusta el nivel de altavoz potenciador de graves.
- 3** Seleccione el parámetro que desea y presione  $\oplus$ .  
El parámetro de “CNT LEVEL” y “SW LEVEL” es de “-6” a “+6” y aumenta de a 1. La configuración predeterminada es “0”.

## Cómo disfrutar del sonido Dolby Digital a un volumen bajo (AUDIO DRC)

Comprime el rango dinámico de la pista de sonido. Resulta útil para mirar películas a volumen bajo. AUDIO DRC sólo funciona para Dolby Digital.

- 1** Seleccione “LEVEL” en el menú AMP y, a continuación, presione  $\oplus$  o  $\rightarrow$ .
- 2** Seleccione “AUDIO DRC” y, a continuación, presione  $\oplus$  o  $\rightarrow$ .
- 3** Seleccione el ajuste y presione  $\oplus$ .
  - OFF: sin compresión del rango dinámico.

- STD: reproduce la pista de sonido con el tipo de rango dinámico diseñado por el ingeniero de grabación.
- MAX: comprime el rango dinámico por completo.

## Cómo ajustar el nivel de graves y agudos (BASS, TREBLE)

Permite ajustar el nivel de graves y agudos fácilmente.

- 1** Seleccione “TONE” en el menú AMP y, a continuación, presione  $\oplus$  o  $\rightarrow$ .
- 2** Seleccione “BASS” o “TREBLE” y, a continuación, presione  $\oplus$  o  $\rightarrow$ .
  - BASS: ajusta el nivel de graves.
  - TREBLE: ajusta el nivel de agudos.
- 3** Seleccione el parámetro que desea y presione  $\oplus$ .  
El parámetro va de “-6” a “+6” y aumenta de a 1. La configuración predeterminada es “0”.

## Cómo ajustar la demora entre el sonido y la imagen (A/V SYNC)

Cuando la imagen es más lenta que el sonido, puede retrasar el sonido mediante esta función.

- 1** Seleccione “AUDIO” en el menú AMP y, a continuación, presione  $\oplus$  o  $\rightarrow$ .
- 2** Seleccione “A/V SYNC” y, a continuación, presione  $\oplus$  o  $\rightarrow$ .
- 3** Seleccione el ajuste y presione  $\oplus$ .
  - OFF: sin ajustes.
  - ON: ajusta la diferencia entre la imagen y el sonido.

**Notas**

- Es posible que con esta función no pueda ajustar el retardo entre la imagen y el sonido a la perfección.
- Esta función resulta útil solamente para entradas de Dolby Digital, DTS y PCM lineal (2 canales) mediante cable digital coaxial, cable digital óptico o cable HDMI.

*continuación*

---

## Cómo escuchar el sonido de emisión multiplex (DUAL MONO)

Podrá escuchar el sonido de emisión multiplex cuando el sistema reciba o reproduzca una señal de emisión multiplex AC-3.

### Nota

- Para recibir una señal AC-3, debe conectar un sintonizador satelital digital al sistema mediante un cable digital óptico o coaxial y ajustar el modo de salida digital del sintonizador en AC-3.

- 1** Seleccione “AUDIO” en el menú AMP y, a continuación, presione o .
- 2** Seleccione “DUAL MONO” y, a continuación, presione o .
- 3** Seleccione el ajuste y presione .
  - MAIN: sólo reproduce el canal principal.
  - SUB: sólo reproduce el canal secundario.
  - MAIN/SUB: el sonido principal se emite desde el altavoz izquierdo y el sonido secundario desde el altavoz derecho.

---

## Cómo escuchar el sonido a volumen bajo (NIGHT MODE)

Con esta función, es posible escuchar efectos de sonido o diálogos claramente incluso a un volumen bajo.

- 1** Seleccione “AUDIO” en el menú AMP y, a continuación, presione o .
- 2** Seleccione “NIGHT MODE” y, a continuación, presione o .
- 3** Seleccione el ajuste y presione .
- ON: activa la función “NIGHT MODE”.
- OFF: desactiva la función.

### Sugerencia

- Puede escuchar sonidos Dolby Digital a un volumen bajo mediante AUDIO DRC (página 53).

---

## Cómo ajustar el sonido desde el sintonizador satelital (INPUT MODE)

Incluso si conecta el sintonizador de satélite en la toma de entrada HDMI SAT/CATV del sistema, el sonido multicanal puede no emitirse de acuerdo con el sintonizador de satélite. En este caso, conecte un cable óptico digital a la toma SAT/CATV OPT IN del sistema, además de un cable HDMI y configure lo siguiente.

- 1** Seleccione “AUDIO” en el menú AMP y, a continuación, presione o .
- 2** Seleccione “INPUT MODE” y, a continuación, presione o .
- 3** Seleccione “OPT” y presione .
- AUTO: emite señal de sonido desde la toma de entrada HDMI SAT/CATV, preferentemente.
- OPT: emite la señal desde la toma SAT/CATV OPT IN.

---

## Cómo cambiar el brillo del visor del panel frontal (DIMMER)

El brillo del visor del panel frontal se puede ajustar a uno de 2 niveles.

- 1** Seleccione “SYSTEM” en el menú AMP y, a continuación, presione o .
- 2** Seleccione “DIMMER” y, a continuación, presione o .
- 3** Seleccione el ajuste y presione .
- ON: dim.
- OFF: brillo.

## Cómo cambiar el ajuste de visualización (DISPLAY)

Puede cambiar la visualización del visor del panel frontal.

- 1 Seleccione "SYSTEM" en el menú AMP y, a continuación, presione  $\oplus$  o  $\rightarrow$ .
- 2 Seleccione "DISPLAY" y, a continuación, presione  $\oplus$  o  $\rightarrow$ .
- 3 Seleccione el ajuste y presione  $\oplus$ .
  - ON: la indicación permanece activada.
  - OFF: la indicación aparece durante unos segundos cuando opera el sistema.

### Sugerencia

- La indicación muestra los tipos de señales de entrada (sólo entrada digital) cuando presiona DISPLAY, incluso si establece "DISPLAY" en "OFF".

### Nota

- La indicación permanece encendida cuando la función de silenciado o protección está activa, incluso si establece "DISPLAY" en "OFF".

## Cómo utilizar el temporizador de apagado (SLEEP)

Puede ajustar el sistema para que se apague a una hora preestablecida cuando desea dormirse escuchando música. Puede preestablecer la hora en incrementos de 10 minutos.

- 1 Seleccione "SYSTEM" en el menú AMP y, a continuación, presione  $\oplus$  o  $\rightarrow$ .
- 2 Seleccione "SLEEP" y, a continuación, presione  $\oplus$  o  $\rightarrow$ .
- 3 Seleccione la hora preestablecida que desea y presione  $\oplus$ .

La indicación de los minutos (tiempo restante) cambia de la siguiente manera:

OFF  $\leftrightarrow$  10M  $\leftrightarrow$  20M  
 $\updownarrow$   $\updownarrow$   
 90M  $\leftrightarrow$  80M ... 30M

### Nota

- Esta función está disponible solamente para este sistema, no para el televisor conectado u otros componentes.

## Función Modo en espera automático (AUTO STBY)

Puede reducir el consumo de energía. El sistema ingresa en modo en espera automáticamente cuando usted no opera el sistema durante 30 minutos aproximadamente y el sistema no emite sonidos durante 30 minutos aproximadamente.

La configuración predeterminada es "ON".

- 1 Seleccione "SYSTEM" en el menú AMP y, a continuación, presione  $\oplus$  o  $\rightarrow$ .
- 2 Seleccione "AUTO STBY" y, a continuación, presione  $\oplus$  o  $\rightarrow$ .
- 3 Seleccione el ajuste y presione  $\oplus$ .
  - ON: activa la función "AUTO STBY".
  - OFF: desactiva la función.

### Notas

- Cuando se apaga el sistema mediante la función AUTO STBY, es probable que el sistema no se active automáticamente cuando encienda el televisor la próxima vez.
- "AUTO STBY" comienza a parpadear en el visor del panel frontal aproximadamente dos minutos antes de que el sistema ingrese al modo en espera.

## Información adicional

### Solución de problemas

Si surge cualquiera de las siguientes dificultades al utilizar el sistema, consulte esta guía de solución de problemas para resolver el problema antes de solicitar asistencia técnica. Si el problema persiste, comuníquese con el distribuidor Sony más cercano.

#### ENCENDIDO

##### La alimentación no se activa.

- Compruebe que el cable de alimentación de ca esté firmemente conectado.

##### El sistema no se enciende cuando el televisor está encendido.

- Compruebe la configuración del altavoz del televisor. La configuración del altavoz del televisor controla el modo en que el sistema se enciende automáticamente con el televisor. Para disfrutar del sonido del televisor a través del sistema, es necesario establecer los ajustes del altavoz del televisor para que emita sonidos desde el equipo de audio externo. Para conocer más detalles, consulte el Manual de instrucciones del televisor.
- El sistema no se enciende cuando se enciende el televisor si la última vez que se apagó el televisor el sonido se estaba emitiendo desde los altavoces del televisor.

##### La función Apagado del sistema no funciona.

- Cambie la configuración del televisor para que los componentes conectados automáticamente se apaguen cuando usted apaga el televisor. Para conocer más detalles, consulte el Manual de instrucciones del televisor.

##### El sistema se apaga cuando apaga el televisor.

- Cuando la función Control por HDMI está activada, la función Apagado del sistema está activa y el sistema se apaga cuando usted apaga el televisor.

##### El televisor se apaga automáticamente.

- La función AUTO STBY está funcionando (página 55).

#### SONIDO

##### No se reproduce el sonido Dolby Digital o DTS.

- Compruebe que el Blu-ray Disc, DVD, etc., esté grabado en formato Dolby Digital o DTS.
- Al conectar el Blu-ray Disc, reproductor de DVD, etc., a las tomas de entrada digital del sistema, compruebe la configuración de audio (configuración para salida de audio) del componente conectado.

##### No se puede obtener el efecto de sonido envolvente.

- Según el tipo de señal digital, es posible que el procesamiento de sonido envolvente no funcione (página 40). Presione DISPLAY para visualizar el formato de sonido en el visor de panel frontal. Si se muestra “2.0CH” o “1.0CH” en el visor del panel frontal, la señal es estéreo o monoaural y no incluye sonido multicanal. Si se muestra “5.1CH”, etc., la señal contiene múltiples canales, pero el efecto de sonido envolvente puede ser sutil según los programas o el disco.

##### No se emiten sonidos del televisor desde el sistema.

- Compruebe la conexión del cable digital óptico o del cable de audio que está conectado al sistema y al televisor (página 25).
- Compruebe la salida de sonido del televisor.
- Si el televisor es compatible con la función ARC, establezca “CTRL HDMI” y “ARC” en “ON”.

##### El sonido se emite desde el sistema y el televisor.

- Si la función Control por HDMI está desactivada, o bien, si el componente seleccionado no es compatible con la función Control por HDMI, apague el sonido del sistema o del televisor.



---

### **El sonido está demorado con respecto a la imagen del televisor.**

- Establezca “A/V SYNC” en “OFF” si “A/V SYNC” está establecido en “ON”.

---

### **El volumen se baja cuando el método de salida pasa del altavoz del televisor a los altavoces del sistema.**

- La función Límite de volumen está funcionando. Para obtener más detalles, consulte “Cómo utilizar la función Límite de volumen” (página 43).

---

### **Sin sonido o sólo se oye un sonido de nivel muy bajo del componente conectado desde el sistema.**

- Presione MASTER VOL + y compruebe el nivel de volumen.
- Presione MUTE o MASTER VOL + para cancelar la función de silenciado.
- Compruebe que la fuente de entrada esté seleccionada correctamente.
- Compruebe que todos los cables del sistema y de los componentes conectados estén totalmente insertados.
- Compruebe la configuración HDMI de los componentes conectados.

---

### **No se emite sonido desde los altavoces específicos.**

- Compruebe que los conectores del cable de altavoz estén totalmente insertados en las tomas.
- Según la fuente de sonido que ingresa al sistema o el campo acústico seleccionado del sistema (página 40), no se emiten sonidos desde el altavoz central.

---

### **Se interrumpió el sonido, o bien, hay ruidos.**

- Verifique “Formatos compatibles con el sistema” (página 58).

---

## **IMAGEN**

---

### **No se muestran imágenes en el televisor.**

- Compruebe que el televisor y el sistema estén conectados correctamente.
- Compruebe que el televisor esté seleccionado correctamente.
- Ajuste el televisor al modo de entrada correspondiente.

- Verifique si HDMI IN y HDMI OUT están conectados al revés.
- Compruebe que los cables estén totalmente insertados en las tomas del componente y del sistema (páginas 25, 27).

---

### **No se muestran imágenes 3D en el televisor.**

- De acuerdo con el televisor o el componente de video, las imágenes 3D pueden no mostrarse. Verifique los formatos de imagen 3D compatibles con el sistema (página 59).

---

### **Cuando el sistema está en el modo en espera, no hay imagen ni sonido en el televisor.**

- “CTRL HDMI” está configurado en “OFF”.
- Cuando el sistema está en modo en espera, la imagen y el sonido se emiten desde el componente HDMI seleccionado la última vez que apagó el sistema. Si desea reproducir un componente que no sea el componente HDMI que seleccionó la última vez, reproduzca el componente a través de Reproducción mediante una pulsación, o bien, encienda el sistema para seleccionar el componente HDMI que desea disfrutar.
- Asegúrese de que “PASS THRU” esté establecido en “ON” en el menú AMP si conecta componentes que no son compatibles con la función “BRAVIA” Sync del sistema (página 45).

---

### **El mando a distancia no funciona**

- Oriente el mando a distancia hacia el sensor del mando a distancia (📺) del sistema.
- Retire cualquier obstáculo que se interponga entre el mando a distancia y el sistema.
- Si las pilas del mando a distancia tienen poca energía, reemplácelas por otras nuevas.
- Asegúrese de seleccionar la entrada correcta en el mando a distancia.

---

## **OTROS**

---

### **Control por HDMI no funciona correctamente.**

- Compruebe la conexión HDMI (página 25).
- Configuración de Control por HDMI en el televisor (página 41).
- Asegúrese de que el componente conectado sea compatible con “BRAVIA” Sync.

- Compruebe la configuración de Control por HDMI en el componente conectado. Consulte el Manual de instrucciones suministrado con el componente conectado.
- Si cambia la conexión HDMI, conecte/desconecte el cable de alimentación de ca, o bien, si hay una falla de energía, repita los procedimientos de “Características de “BRAVIA” Sync” (página 41).
- Cuando enchufe o desenchufe el cable de alimentación de ca, espere 15 segundos o más antes de encender el sistema.
- Si conecta la salida de audio del componente de vídeo y el sistema utiliza otro cable diferente al cable HDMI, no se emitirá ningún sonido debido a “BRAVIA” Sync. En este caso, establezca “CTRL HDMI” en “OFF” (página 42), o bien, conecte la toma de salida de audio directamente al televisor en lugar del sistema.

#### Si “PROTECTOR” y “PUSH POWER” aparecen alternadamente en el visor del panel frontal.

Presione I/⏻ para apagar el sistema y verifique el siguiente elemento después que desaparezca “STANDBY”.

- ¿Hay algo que bloquea los orificios de ventilación del sistema?

Una vez comprobado el elemento anterior y solucionados los problemas, encienda el sistema. Si no puede encontrar la causa del problema después de verificar el elemento anterior, consulte al distribuidor Sony más cercano.

#### Si el sistema no funciona correctamente después de realizar los pasos anteriores, reinicie el sistema de la siguiente manera:

Utilice los botones del sistema para la operación.

- 1** Presione I/⏻ para encender la alimentación.
- 2** Presione I/⏻ mientras mantiene presionado INPUT SELECTOR y VOLUME −.

Aparecerá “COLD RESET” y se reiniciará el sistema. El menú AMP, campo acústico, etc., vuelven a la configuración predeterminada.

## Especificaciones

### Formatos compatibles con el sistema

Los formatos de entrada digitales compatibles con este sistema son los siguientes.

Formato	Compatible/No compatible
Dolby Digital	○
DTS	○
PCM lineal (2 canales)*	○
PCM lineal (5.1 canales, 7.1 canales)* (Sólo en HDMI)	○
Dolby Digital Plus	×
Dolby True HD	×
DTS-HD	×

\* PCM lineal acepta frecuencias de muestreo de no más de 48 kHz.

### ESPECIFICACIONES DE POTENCIA DE SONIDO

POTENCIA DE SALIDA Y DISTORSIÓN ARMÓNICA TOTAL: (FTC)

para el modelo que se comercializa en EE. UU.

Frontal L + Frontal R: con cargas de 4 ohmios, ambos canales accionados, entre 180 y 20.000 Hz; con potencia media mínima de 60 vatios por canal y una distorsión armónica total que no supera el 1 % , que va desde los 250 milivatios hasta la potencia nominal.

## Sección del amplificador

Modelos para EE. UU:

POTENCIA DE SALIDA (referencia)

Frontal L/Frontal R:	100 W (por canal a 4 ohmios, 1 kHz)
Central:	100 W (a 4 ohmios, 5 kHz)
Altavoz potenciador de graves:	100 W (a 4 ohmios, 100 Hz)

Modelos para Canadá:

POTENCIA DE SALIDA (nominal)

Frontal L/Frontal R:	65 W + 65 W (a 4 ohmios, 1 kHz, 1 % THD)
----------------------	--

POTENCIA DE SALIDA (referencia)

Frontal L/Frontal R:	100 W (por canal a 4 ohmios, 1 kHz)
Central:	100 W (a 4 ohmios, 5 kHz)
Altavoz potenciador de graves:	100 W (a 4 ohmios, 100 Hz)

Entradas

TV, SA-CD/CD	Análogicas
TV, SAT/CATV	Digitales (ópticas)
VIDEO	Digitales (coaxial)

## Sección HDMI

Conector	Conector HDMI™
Entradas/salidas de vídeo	BD, DVD, SAT/CATV; 640 × 480p@60 Hz 720 × 480p@59,94/60 Hz 1280 × 720p@59,94/60 Hz 1920 × 1080i@59,94/60 Hz 1920 × 1080p@59,94/60 Hz 720 × 576p@50 Hz 1280 × 720p@50 Hz 1920 × 1080i@50 Hz 1920 × 1080p@50 Hz 1920 × 1080p@24 Hz
Entradas/salidas de vídeo (3D)	BD, DVD, SAT/CATV; 1280 × 720p@59,94/60 Hz Empaquetado de trama 1920 × 1080i@59,94/60 Hz Empaquetado de trama 1920 × 1080i@59,94/60 Hz Lado a lado (medio) 1920 × 1080p@59,94/60 Hz Lado a lado (medio) 1280 × 720p@50 Hz Empaquetado de trama 1920 × 1080i@50 Hz Empaquetado de trama

1920 × 1080i@50 Hz
Lado a lado (medio)
1920 × 1080p@50 Hz
Lado a lado (medio)
1920 × 1080p@24 Hz
Empaquetado de trama
BD, DVD, SAT/CATV:
PCM lineal 7.1 canales/ Dolby Digital/DTS

Entradas de audio

## Sección del sintonizador

Sistema	Sintetizador digital de cuarzo con sistema PLL
Sección del sintonizador de FM	
Rango de sintonización	87,5 - 108,0 MHz (intervalo de 100 kHz)
Antena (aérea)	antena monofilar de FM
Terminales de antena (aérea)	75 ohmios, desequilibradas
Frecuencia intermedia	10,7 MHz
Sección del sintonizador de AM	
Rango de sintonización	530 kHz - 1.710 kHz (con el intervalo establecido en 10 kHz) 531 kHz - 1.710 kHz (con el intervalo establecido en 9 kHz)
Antena (aérea)	antena cerrada de AM
Frecuencia intermedia	450 kHz

## Altavoz (SS-CT350)

Unidad de altavoz frontal	
Sistema de altavoz	Rango completo
Unidad de altavoz	40 mm × 70 mm (1 5/8 pulgadas × 2 7/8 pulgadas), tipo cónico × 2
Impedancia nominal	4 ohmios
Unidad de altavoz central	
Unidad de altavoz	40 mm (1 5/8 pulgadas), tipo cónico × 2
Impedancia nominal	4 ohmios
Dimensiones (aprox.)	996 mm × 66 mm × 72 mm (39 1/4 pulgadas × 2 5/8 pulgadas × 2 7/8 pulgadas) (an/al/prf)
Peso (aprox.)	2,4 kg (5 libras 5 onzas)
Cables de altavoz	3 m

**continuación**

## **Altavoz potenciador de graves (SA-WCT350)**

Sistema de altavoz	Altavoz potenciador de graves, reflejo de bajos
Unidad de altavoz	130 mm (5 1/8 pulgadas) tipo cónico
Impedancia nominal	4 ohmios
Dimensiones (aprox.)	196 mm × 450 mm × 410 mm (7 3/4 pulgadas × 17 3/4 pulgadas × 16 1/4 pulgadas) (an/al/prf)
Peso (aprox.)	10,5 kg (23 libras 3 onzas)

## **WS-CT350EB**

### **Soporte de extensión**

Dimensiones (aprox.)	180 mm × 147 mm × 26 mm (an/al/prf)
Peso (aprox.)	555 g

### **Cubierta posterior A**

Dimensiones (aprox.)	80 mm × 85 mm × 14 mm (an/al/prf)
Peso (aprox.)	25 g

### **Cubierta posterior B**

Dimensiones (aprox.)	80 mm × 82 mm × 47 mm (an/al/prf)
Peso (aprox.)	35 g

### **Cubierta posterior C**

Dimensiones (aprox.)	80 mm × 82 mm × 47 mm (an/al/prf)
Peso (aprox.)	35 g

### **Cubierta para el televisor**

Dimensiones (aprox.)	273 mm × 245 mm × 31 mm (an/al/prf)
Peso (aprox.)	165 g

### **General**

Requisitos de alimentación 120 V de ca, 60 Hz

Consumo de energía

Encendido: 80 W

Modo en espera: 0,3 W o menos (Control por HDMI apagado.)

Potencia de salida

(DIGITAL MEDIA PORT) DC OUT: 5 V, 700 mA

El diseño y las especificaciones están sujetos a cambios sin previo aviso.

## A

A/V SYNC 53  
ARC 26, 46  
AUDIO DRC 53  
AUTO STBY 55

## B

BASS 53  
“BRAVIA” Sync 41

## C

Cable digital óptico 25  
Campo acústico 40  
CNT LEVEL 53  
Cómo colocar el sistema 8  
Cómo evitar que el televisor se tumbe 21  
Conexión  
    Adaptador DIGITAL MEDIA PORT 27  
    Antena cerrada de AM 28  
    Antena monofilar de FM 29  
    PlayStation 2 27  
    PlayStation 3 26  
    Reproductor de Blu-ray Disc 25  
    Reproductor de DVD 25, 27  
    sintonizador de televisión por cable 25,  
    27  
    sintonizador satelital 25, 27  
    Televisor 25

## D

DIMMER 54  
DISPLAY 39, 55  
DUAL MONO 54

## E

Emisoras de radio 36

## F

Función Límite de volumen 43

## I

INPUT MODE 54  
INPUT SELECTOR 30  
Instalación 8

## M

Mando a distancia  
    antes de usar 7  
    funcionamiento 32, 47  
Menú AMP 52  
Muting 32

## N

NIGHT MODE 54

## P

PROTECTOR 58

## R

Radio 36

## S

SW LEVEL 53

## T

Temporizador de apagado 55  
TREBLE 53

## V

Visor del panel frontal 31  
VOLUME 30, 32







\* 4 1 8 1 4 8 6 1 1 \* (2)